

FASCOld®

LB-LBT

Air-cooled condensing units



Catalogue index

• General information	Pag. 3 - 5
• Model Overview	Pag. 6
• Special features	Pag. 7
• Technical data	Pag. 8 - 11
• Multifunctional device Kriwan INT69 @Diagnose	Pag. 12
• Construction features and optionals	Pag. 13
• Performance [50 Hz]	Pag. 14 - 41
• Dimensions	Pag. 42 - 43
• Dimensional drawings	Pag. 44 - 55
• Two-stage units	Pag. 56 - 63

Air-cooled condensing units with semi-hermetic compressor

Frascold offers a wide range of commercial and industrial monobloc cooling condensing units for medium and low temperature applications. Their compact and innovative design is extraordinary and also meets requirements for compact installations in small spaces and in environments where the noise level must be controlled and restricted.

The range of models has two main lines:

- **LB models** for moderate climate areas with a single and two-stage compressor
- **LBT models** for tropical climate areas

LB and LBT units are used in many cooling installations, including: cold and refrigerated rooms, supermarkets and shops, distribution centres, industrial applications, cooling processes in the food production and preservation industry.

Features

Reliable operation: Frascold monobloc condensing units are rigorously assembled and tested in our factories in Italy. The Diagnose technology protection system installed on all Frascold compressors enables early detection of faults and their rapid resolution, thus reducing maintenance and system downtime.

Reduced consumption: The best efficiency of condensing units is reached thanks to the advanced design of Frascold semi-hermetic compressors and correct sizing of all components used in the units. By taking advantage of the inverter technology available as an option, efficiency is increased further.

Wide temperature range and universal use: The range of units enables temperature control from 10° C to -45° C for models with a single-stage compressor and from -20° to -70° C for models with a two-stage compressor. The units can be used with all HCFC and HFC, HFO refrigerants.

Low noise: Frascold compressors are distinguished by their particularly low noise level achieved through the intelligent combination of a monobloc body structure with the mechanical components of gas compression and suction and the electric motor. This also enables unit installations very close to the utility provided by the application in order to reduce pressure drops and possible danger of leaks.

Compact and complete: Their compact size also makes them the perfect solution for installations with limited space. The different versions proposed and the wide range of accessories make Frascold condensing units more efficient and reliable.

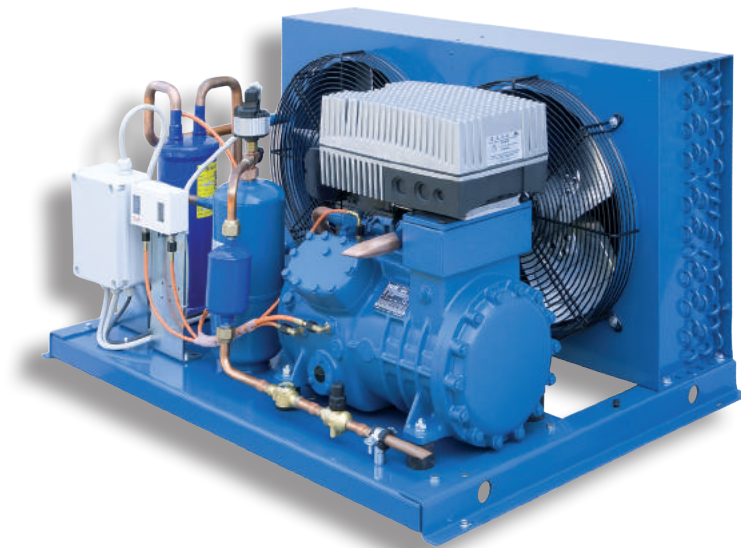
Easy to install and maintain: As a result of their design structure, installation of the units is made simple. Accessibility to all components enables quick and safe maintenance operations.

Full assistance: Frascold offers an accurate and comprehensive customer service and prompt assistance in any emergency, both directly and through an extensive network of service centres and partners distributed across all five continents.

Standard design specifications

The choice of all other components is based on quality and safety, respect for the environment and social responsibility:

- Frascold semi-hermetic compressor with POE oil filling and suitable for inverter regulation
- Condensing unit with wide exchange surface and pipes optimised to reduce pressure drops and refrigerant charge
- Fan motors with low power consumption and optimised airflow
- Vertical-type liquid receiver with high storage capacity
- Compressor discharge line with vibration damping pipe (see technical data of the different models)
- Electronic device for compressor protection
- Oil differential pressure switch for V and Z series compressors units
- Discharge temperature control device for models with V and Z compressors
- Support base frame designed to ensure the necessary strength and stability



Models

The condensing units are available in different versions in order to characterise the construction design according to installation requirements.

Standard

Compressor, air-cooled condensing unit, fan motors, liquid receiver with valve, compressor discharge line and base frame.

Standard + Oil separator

Standard + Package

Compressor, air-cooled condensing unit, fan motors, liquid receiver with valve, compressor discharge line, liquid line with filter liquid sight glass and valve, high and low pressure switch, high-pressure switch for condensation control, electrical wiring box.

Standard + Package + Oil separator

Housing

Accessories

As described above, the basic design of the unit can be equipped with a wide range of accessories (see page 13).

ASERCOM performance certifications



Frascold is a member of ASERCOM, the Association that ensures accuracy and reliability of its compressors and that has set out the procedure for measuring the performance of compressors and their certification process. The certification of compressors certifies and guarantees that the published performance matches the performance measured with reference to European standard EN12900. Compressors with certified performance are marked with the Certified Product logo. Further details on www.asercom.org

Data concerning condensing unit performance

This brochure indicates the data for compressors with R134a, R404A, R507A, R407F, R407A, R407C, R22, R1234ze. Data relating to other refrigerants are available on request.

The capacities are indicated in accordance with European standard EN12900 and at 50Hz operation. To calculate capacity in other conditions and at 60 Hz, use the Frascold Selection Software.

Operating limits

Condensing unit operation is possible within the application diagram; pay attention to the indications for the various areas of the diagram. The limits refer to operation of the compressor at full load and with a power supply frequency of 50 Hz.

The diagrams published in this catalogue are to be considered as a general diagram for the full range of condensing units. Check the diagram of every single compressor model on the Frascold Selection Software program.

FSS Product Selection Software

The FSS selection software, which is quick and easy to use, allows users to obtain the capacity in the various operating points and to access all the technical information relating to Frascold compressors.

If you have any questions on how to use the software, please contact customer service via e-mail or telephone. You can also send your comments and suggestions to improve the FSS program; your feedback will always be welcome. Download the 'setup.exe' file on your computer, start it and follow the installation instructions.

This creates a program shortcut on the desktop for easy start-up.

Safety

Frascold condensing units are constructed according to European safety standards. They may only be used if installed within systems complying with the operating instructions and conforming to the regulations in force.

For the relevant standards please refer to the Manufacturer's Declaration, available on request or on the www.frascold.it website in the certification section. They will be put into service by experienced staff, suitably documented in relation to the manufacturer's declarations and able to understand and apply the instructions contained in the installation manual supplied with the condensing unit or available on the www.frascold.it website.

Conformity

The condensing units referred to in this catalogue comply with the requirements regarding the following Directives:

- Machinery directive 2006/42/EC
- Low voltage directive 2014/35/ECE
- Electromagnetic compatibility directive EMC 2014/30/EC, IEC EN
- 50081-1, IEC EN 50082-1, IEC EN 61000-6
- Pressure equipment directive 2014/68/EU
- Ecodesign directive 2009/125/EC
- Commission regulation EU 2015/1095

To verify compliance with Directive 2009/125/EC Ecodesign-Commission regulation EU 2015/1095, refer to the FTEC030 manual or use the FSS3 selection program that can be downloaded from www.frascold.it.

The condensing units are not functional assemblies, which means that in order to work they need to be integrated into a device or system. It is forbidden to commission the product before the device/system in which the cooling unit will be incorporated has been declared compliant with the provisions of the relevant directives, with particular reference to the directive regarding pressure equipment. The condensing units comply with the following applicable Standards:

EN378-1:2012 - EN378-2:2012 - EN378-3:2012 - EN378-4:2012 - EN12263:2000v - EN13136:2014 - EN 14276:2011 - EN13585:2012 - EN13134:2002 - EN12100:2010 - EN12735-1:2010

Models overview

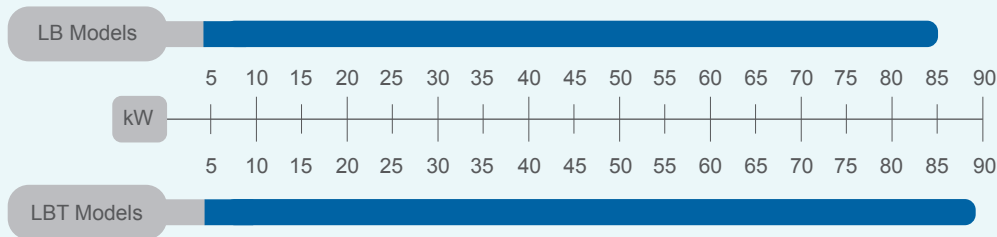
Frascold offers a wide range of models and versions that allow to keep the right temperature and the perfect balance between refrigerant load and efficiency in every refrigeration process. The range of models has two main lines:

- **LB Models** for moderate climate areas with a single and two-stage compressor
- **LBT Models** for tropical climate areas

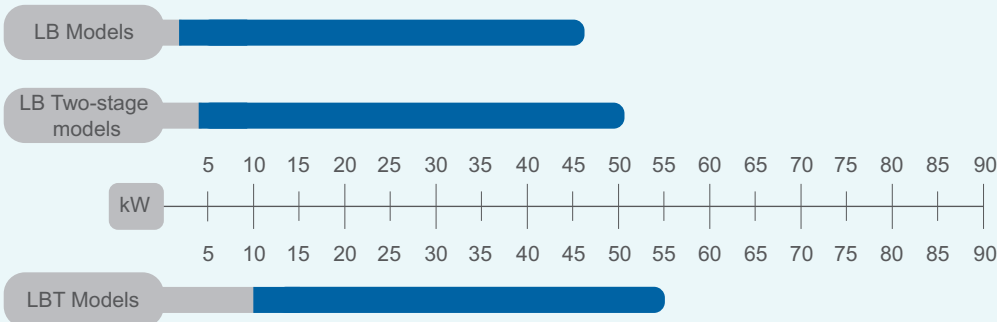
Current range:

3 main versions, 88 different models with compressors having 34 displacements from 4,93 m³/h to 126 m³/h at 50HZ

Medium Temperature



Low Temperature



Model designation

LB - S1242 - 3 Y - 2 T - 0

Air-cooled condensing unit			Arrangement	
Compressor model			0	Standard
Motor type and power supply			1	with Oil Separator
0	DOL	220-240V/380-420V/3/50Hz 265-290V/440-480V/3/60Hz	2	with Package
1		220V/1/50Hz	3	with Package and Oil Separator
3	PWS	380V-420V/3/50Hz 440V-480V/3/60Hz	Fan motor type	
4	DOL	220-240V/3/60Hz 380-420V/3/60Hz	T	Three phase motor
5		220V/1/60Hz	M	Single phase motor
7	PWS	380V-420V/3/60Hz	Number of fans	
I		Inverter	1	One Fan motor
Oil type			2	Two fan motors
Y		POE	4	Four Fan motors
1		Mineral		

Special features

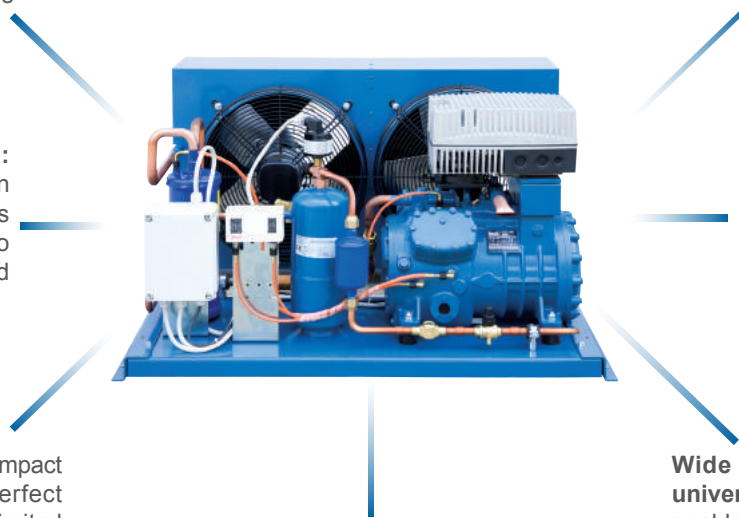
The LB, LBT and LB two-stage condensing units are designed and configured to meet multiple applications of commercial and industrial cooling. These units are designed for unsurpassed quality, are durable and flexible while maintaining a high energy efficiency.

Low noise: Frascold compressors are distinguished by their particularly low noise level achieved through the intelligent combination of a monobloc body structure with the mechanical components of gas compression and suction and the electric motor. This also enables unit installations that are very close to the utility provided by the application in order to reduce pressure drops and possible danger of leaks.

Reliable operation: Frascold monobloc condensing units are rigorously assembled and tested in our factories in Italy. The Diagnose technology protection system installed on all Frascold compressors enables early detection of faults and their rapid resolution, thus reducing maintenance and system stoppage.

Easy to install and maintain: As a result of their design structure, installation of the units is made simple. Accessibility to all components enables quick and safe maintenance operations.

Full assistance: Frascold offers an accurate and comprehensive customer service and prompt assistance in any emergency, both directly and through an extensive network of service centres and partners distributed across all five continents.



Compact and complete: Their compact size also makes them the perfect solution for installations with limited space. The different versions proposed and the wide range of accessories make Frascold condensing units more efficient and reliable.

Reduced consumption: The perfect efficiency of condensing units is due to the advanced design of Frascold semi-hermetic compressors and correct sizing of all components used in the units. By taking advantage of the inverter technology available as an option, efficiency is increased further.

Wide temperature range and universal use: The range of units enables temperature control from 10° C to -45° C for models with a single-stage compressor and from -20° to -70° C for models with a two-stage compressor. The units can be used with all HCFC and HFC, HFO refrigerants.

Information plate

All the important information to identify the compressor is displayed on the plate. The installer is responsible for indicating the type of refrigerant.

Manufacturer	Frascold	Frascold S.p.A. via Barbara Melzi 103/105 - 20027 Rescaldina (MI) tel.+390331742201 fax.+390331576102	Air-cooled condensing unit model
Serial number	Serial number: 3Q001051	Unit model: LB-S1242-3Y-2T	Type of fan motor
Installed compressor model	Compressor: S12-42Y	Fan model: USAF10	Conformity mark
Type of condensing unit	Condenser: USAC18M	Refrigerant: Refrigerants group 2	Certifying body number
Maximum operating pressures	PS High side maximum admissible pressure 30 bar Low side maximum admissible pressure 17 bar	Liquid receiver: USLR12-M	Year of manufacture
Maximum and minimum temperature limits	TS* Admissible maximum temperature range: +140°C -45°C	Oil type: POE oil Frascold FC 32 cSt	Type of liquid receiver
		PED Category: II Evaluation module: A1	Classification regulations
	*Refer to the instruction manual to know the temperature range of each component		
	Voltage: refer to components' technical specification		
	Read carefully the instruction manual before assembling and using the unit		
	Integrated refrigerant classification	Type of oil charged into the compressor	

Technical data

Condensing units		Compressor ①					Condenser							
Model	Model	Displacement (m ³ /h 50Hz)	Oil charge (litres)	Version	Motor ③		Model	Fan motors (with thermal protection)						
					Electric connection Power supply	Max operating current MRA (400V)		Quantity	Model	Electric connection Power supply	Installed power Watt	Max absorbed current A		Condenser air flow (m ³ /h 50Hz)
												Δ	Y	
②	④	⑤	⑥	⑦	⑧	⑨	⑩							
LB-A075-0Y-1M	A07-5Y	4,93	1	1	A	2,7	USAC03M	1	USAF2	M	165	0,69		2500
LB1-A075-0Y-2M				1	A		USAC15M	2	USAF1	M	130	0,60		3400
LBT-A075-0Y-2M				1	A		USAC07M	2	USAF2	M	330	1,38		5000
LB-A106-0Y-1M	A16-Y	5,47	1	1	A	3,6	USAC03M	1	USAF2	M	165	0,69		2500
LB-A106-0Y-2M				1	A		USAC15M	2	USAF1	M	130	0,60		3400
LBT-A106-0Y-2M				1	A		USAC07M	2	USAF2	M	330	1,38		5000
LB-A107-0Y-1M	A17-Y	6,91	1	2	A	3,7	USAC03M	1	USAF2	M	165	0,69		2500
LB-A107-0Y-2M				2	A		USAC15M	2	USAF1	M	130	0,60		3400
LBT-A107-0Y-2M				2	A		USAC07M	2	USAF2	M	330	1,38		5000
LB-A157-0Y-1M	A1.5-7Y	6,91	1	1	A	4,5	USAC06M	1	USAF3	M	200	0,87		2900
LB-A157-0Y-2M				1	A		USAC15M	2	USAF1	M	130	0,60		3400
LBT-A157-0Y-2M				1	A		USAC07M	2	USAF2	M	330	1,38		5000
LB-B159-0Y-1M	B1.5-9.1Y	8,96	1	2	A	5,9	USAC03M	1	USAF2	M	165	0,69		2500
LB-B159-0Y-2M				2	A		USAC15M	2	USAF1	M	130	0,60		3400
LBT-B159-0Y-2M				2	A		USAC07M	2	USAF2	M	330	1,38		5000
LB-B210-0Y-1M	B2-10.1Y	9,88	1	1	A	6,7	USAC06M	1	USAF3	M	200	0,87		2900
LB-B210-0Y-2M				1	A		USAC15M	2	USAF1	M	130	0,60		3400
LBT-B210-0Y-2M				1	A		USAC07M	2	USAF2	M	330	1,38		5000
LB-D211-0Y-1M	D2-11.1Y	11,26	1,1	1	A	7,1	USAC06M	1	USAF3	M	200	0,87		2900
LB-D211-0Y-2M				1	A		USAC07M	2	USAF2	M	330	1,38		5000
LBT-D211-0Y-2M				1	A		USAC08M	2	USAF3	M	400	1,74		5800
LB-D213-0Y-1M	D2-13.1Y	13,15	1,1	2	A	7,1	USAC06M	1	USAF3	M	200	0,87		2900
LB-D213-0Y-2M				2	A		USAC07M	2	USAF2	M	330	1,38		5000
LBT-D213-0Y-2M				2	A		USAC08M	2	USAF3	M	400	1,74		5800
LB-D313-0Y-1M	D3-13.1Y	13,15	1,1	1	A	8,8	USAC06M	1	USAF3	M	200	0,87		2900
LB-D313-0Y-2M				1	A		USAC07M	2	USAF2	M	330	1,38		5000
LBT-D313-0Y-2T				1	A		USAC16M	2	USAF4	T	630	2,26	1,30	11400
LB-D316-0Y-1M	D3-16.1Y	16,40	1,1	2	A	9,9	USAC06M	1	USAF3	M	200	0,87		2900
LB-D316-0Y-2M				2	A		USAC07M	2	USAF2	M	330	1,38		5000
LBT-D316-0Y-2T				2	A		USAC16M	2	USAF4	T	630	2,26	1,30	11400
LB-D416-0Y-1M	D4-16.1Y	16,40	1,2	1	A	11,6	USAC06M	1	USAF3	M	200	0,87		2900
LB-D416-0Y-2M				1	A		USAC08M	2	USAF3	M	400	1,74		5800
LBT-D416-0Y-2T				1	A		USAC16M	2	USAF4	T	630	2,26	1,30	11400
LB-D318-0Y-1M	D3-18.1Y	17,93	1,1	2	A	10,0	USAC06M	1	USAF3	M	200	0,87		2900
LB-D318-0Y-2M				2	A		USAC07M	2	USAF2	M	330	1,38		5000
LBT-D318-0Y-2M				2	A		USAC08M	2	USAF3	M	400	1,74		5800
LB-Q420-0Y-2M	Q4-20.1Y	19,77	1,6	2	A	10,1	USAC08M	2	USAF3	M	400	1,74		5800
LBT-Q420-0Y-2T				2	A		USAC16M	2	USAF4	T	630	2,26	1,30	11400
LB-Q521-0Y-2T	Q5-21.1Y	21,18	1,6	1	A	11,6	USAC16M	2	USAF4	T	630	2,60	1,30	11400
LBT-Q521-0Y-2T				1	A		USAC18M	2	USAF10	T	1500	6,00	3,50	17400
LB-Q424-0Y-2M	Q4-24.1Y	23,91	1,6	2	A	11,7	USAC08M	2	USAF3	M	400	1,74		5800
LBT-Q424-0Y-2T				2	A		USAC16M	2	USAF4	T	630	2,26	1,30	11400
LB-Q524-0Y-2M	Q5-24.1Y	23,91	1,6	1	A	13,8	USAC08M	2	USAF3	M	400	1,74		5800
LBT-Q524-0Y-2T				1	A		USAC16M	2	USAF4	T	630	2,26	1,30	11400

Technical data

Condensing units		Compressor ①					Condenser							
Model	Model	Displacement (m ³ /h 50Hz)	Oil charge (litres)	Version	Motor ③		Model	Fan motors (with thermal protection)						
					Electric connection Power supply	Max operating current MRA (400V)		Quantity	Model	Electric connection Power supply	Installed power Watt	Max absorbed current A		Condenser air flow (m ³ /h 50Hz)
												Δ	Y	
②	④	⑤	⑥	⑦	⑧	⑨	⑩							
LB-Q528-0Y-2M	Q5-28.1Y	28,02	1,6	2	A	14,0	USAC08M	2	USAF3	M	400	1,74		5800
LBT-Q528-0Y-2T					2		A	USAC16M	2	USAF4	T	630	2,26	1,30
LB-Q728-0Y-2T	Q7-28.1Y	28,02	1,6	1	A	17,6	USAC16M	2	USAF4	T	630	2,26	1,30	11400
LBT-Q728-0Y-2T					1		A	USAC18M	2	USAF10	T	1500	6,00	3,50
LB-Q533-0Y-2M	Q5-33.1Y	32,66	1,6	2	A	14,4	USAC08M	2	USAF3	M	400	1,74		5800
LBT-Q533-0Y-2T					2		A	USAC16M	2	USAF4	T	630	2,26	1,30
LB-Q733-0Y-2T	Q7-33.1Y	32,66	1,6	1	A	20,0	USAC17M	2	USAF4	T	630	2,26	1,30	10400
LBT-Q733-0Y-2T					1		A	USAC18M	2	USAF10	T	1500	6,00	3,50
LB-Q536-0Y-2T	Q5-36.1Y	35,86	1,6	2	A	11,8	USAC16M	2	USAF4	T	630	2,26	1,30	11400
LBT-Q536-0Y-2T					2		A	USAC18M	2	USAF10	T	1500	6,00	3,50
LB-Q736-0Y-2T	Q7-36.1Y	35,86	1,6	1	A	19,4	USAC17M	2	USAF4	T	630	2,26	1,30	10400
LBT-Q736-0Y-2T					1		A	USAC18M	2	USAF10	T	1500	6,00	3,50
LB-S842-3Y-2T	S8-42Y	41,32	2,9	2	B	20,3	USAC16M	2	USAF4	T	630	2,26	1,30	11400
LBT-S842-3Y-2T					2		B	USAC18M	2	USAF10	T	1500	6,00	3,50
LB-S1242-3Y-2T	S12-42Y	41,32	2,9	1	B	22,4	USAC18M	2	USAF10	T	1500	6,00	3,50	17400
LBT-S1242-3Y-2T					1		B	USAC19M	2	USAF10	T	1500	6,00	3,50
LB-S1052-3Y-2T	S10-52Y	51,50	2,9	2	B	24,5	USAC17M	2	USAF4	T	630	2,26	1,30	10400
LBT-S1052-3Y-2T					2		B	USAC19M	2	USAF10	T	1500	6,00	3,50
LB-S1552-3Y-2T	S15-52Y	51,50	2,9	1	B	32,4	USAC18M	2	USAF10	T	1500	6,00	3,50	17400
LBT-S1552-3Y-2T					1		B	USAC19M	2	USAF10	T	1500	6,00	3,50
LB-S1556-3Y-2T	S15-56Y	56,00	2,9	2	B	30,7	USAC18M	2	USAF10	T	1500	6,00	3,50	17400
LBT-S1556-3Y-2T					2		B	USAC19M	2	USAF10	T	1500	6,00	3,50
LB-S2056-3Y-2T	S-20-56Y	56,00	2,9	1	B	38,4	USAC19M	2	USAF10	T	1500	6,00	3,50	16400
LBT-S2056-3Y-4T					1		B	USAC20M	4	USAF10	T	3000	12,00	7,00
LB-V2059-3Y-2T	V20-59Y	58,48	4,0	1	B	35,3	USAC19M	4	USAF10	T	3000	12,00	7,00	32800
LBT-V2059-3Y-4T					1		B	USAC20M	4	USAF10	T	3000	12,00	7,00
LB-V1571-3Y-2T	V15-71Y	70,77	4,0	2	B	32,2	USAC17M	2	USAF4	T	630	2,26	1,30	10400
LBT-V1571-3Y-2T					2		B	USAC19M	2	USAF10	T	1500	6,00	3,50
LB-V2571-3Y-2T	V25-71Y	70,77	4,0	1	B	43,5	USAC19M	2	USAF10	T	1500	6,00	3,50	16400
LBT-V2571-3Y-4T					1		B	USAC20M	4	USAF10	T	3000	12,00	7,00
LB-V2084-3Y-2T	V20-84Y	83,81	4,0	2	B	46,2	USAC19M	2	USAF10	T	1500	6,00	3,50	16400
LBT-V2084-3Y-4T					2		B	USAC20M	4	USAF10	T	3000	12,00	7,00
LB-V3084-3Y-4T	V30-84Y	83,81	4,0	1	B	49,2	USAC20M	4	USAF10	T	3000	12,00	7,00	32800
LB-Z25106Y-3Y-4T	Z25-106Y	106,16	3,7	2	B	53,6	USAC14M	4	USAF4	T	1260	4,52	2,60	20800
LBT-Z25106-3Y-4T					2		B	USAC20M	4	USAF10	T	3000	12,00	7,00
LB-Z30126Y-3Y-4T	Z30-126Y	125,72	7,2	2	B	55,7	USAC14M	4	USAF4	T	1260	4,52	2,60	20800
LBT-Z30126-3Y-4T					2		B	USAC20M	4	USAF10	T	3000	12,00	7,00

① For other compressor technical data refer to catalogue FCAT100

② POE oil

③ Standard motor / Contact Frascold for different motors

④ Motor size: Version 1 = optimized for medium-high evaporating temperatures
Version 2 = optimized for low evaporating temperatures

⑤ A = 220-240V Δ / 360-420V Y / 3~ / 50Hz // 265-290V Δ / 440-480V Y / 3~ / 60Hz - B = 380-420V Y / 3~ / 50Hz // 440-480V Y / 3~ / 60Hz
Tolerance +/- 10% relative to the mean value of the voltage range.

⑥ Maximum operating current at full load (400V). For rated current see Frascold Selection Software program.

⑦ Maximum operating current (MRA) at 230V = (400V MRA) x 1.75

⑧ M = 230/1/50 Hz - T = 230-400/3/50 Hz

⑨ Total installed power of the fans.

⑩ Maximum total current absorbed by the fans.

Technical data

Condensing units		Liquid receiver				Piping connections				Installation/Transport			Housing
Model	Model	Refrigerant charge Max kg				Compressor suction valve		Liquid line valve		Net Weight kg (Standard construction)	Gross weight kg (Standard construction)	Volume with packaging dm ³	
		R134a R450A R513A	R404A R507A R407F R407A R448A R449A	R407C R22	Safety valve connection	Ø mm	Ø inch	Ø mm	Ø inch				
		⑫				⑬				⑭		⑮	
LB-A075-0Y-1M	USLR02	1,8	1,7	1,8	1/4"	15,8	5/8	12,7	1/2	53	62	315	USH0U21
LB1-A075-0Y-2M										63	72	370	USH0U18
LBT-A075-0Y-2M	USLR03-M	2,3	2,2	2,3	1/4"			9,5	3/8	79	84	594	USH0U17
LB-A106-0Y-1M	USLR02	1,8	1,7	1,8	1/4"	15,8	5/8	12,7	1/2	56	62	315	USH0U21
LB-A106-0Y-2M										65	72	370	USH0U18
LBT-A106-0Y-2M	USLR03-M	2,3	2,2	2,3	1/4"			9,5	3/8	79	84	594	USH0U17
LB-A107-0Y-1M	USLR02	1,8	1,7	1,8	1/4"	15,8	5/8	12,7	1/2	56	62	315	USH0U21
LB-A107-0Y-2M										65	72	370	USH0U18
LBT-A107-0Y-2M	USLR03-M	2,3	2,2	2,3	1/4"			9,5	3/8	79	84	594	USH0U17
LB-A157-0Y-1M	USLR03-M	2,3	2,2	2,3	1/4"	15,8	5/8	12,7	1/2	63	70	470	USH0U21
LB-A157-0Y-2M	USLR02	1,8	1,7	1,8	1/4"					65	72	370	USH0U18
LBT-A157-0Y-2M	USLR03-M	2,3	2,2	2,3	1/4"					79	84	594	USH0U17
LB-B159-0Y-1M	USLR02	1,8	1,7	1,8	1/4"	15,8	5/8	12,7	1/2	58	64	315	USH0U21
LB-B159-0Y-2M										67	74	370	USH0U18
LBT-B159-0Y-2M	USLR03-M	2,3	2,2	2,3	1/4"			9,5	3/8	81	86	594	USH0U17
LB-B210-0Y-1M	USLR03-M	2,3	2,2	2,3	1/4"	19,0	3/4	12,7	1/2	67	74	470	USH0U18
LB-B210-0Y-2M	USLR02	1,8	1,7	1,8	1/4"					79	88	370	USH0U18
LBT-B210-0Y-2M	USLR03-M	2,3	2,2	2,3	1/4"					83	93	594	USH0U17
LB-D211-0Y-1M	USLR03-M	2,3	2,2	2,3	1/4"	22,0	7/8	12,7	1/2	72	80	470	USH0U20
LB-D211-0Y-2M										84	93	594	USHOU17
LBT-D211-0Y-2M	USLR04	3,6	3,1	3,5	1/4"			15,8	5/8	87	96	737	USHOU16
LB-D213-0Y-1M	USLR03-M	2,3	2,2	2,3	1/4"	22,0	7/8	12,7	1/2	72	80	470	USH0U20
LB-D213-0Y-2M										84	93	594	USHOU17
LBT-D213-0Y-2M	USLR04	3,6	3,1	3,5	1/4"			15,8	5/8	84	93	737	USHOU16
LB-D313-0Y-1M	USLR03-M	2,3	2,2	2,3	1/4"	28,6	1 1/8	12,7	1/2	76	84	470	USH0U20
LB-D313-0Y-2M										92	102	594	USHOU17
LBT-D313-0Y-2T	USLR06-M	6,3	5,5	6,2	1/4"			15,8	5/8	119	128	1202	USH0U15
LB-D316-0Y-1M	USLR03-M	2,3	2,2	2,3	1/4"	28,6	1 1/8	12,7	1/2	76	84	470	USH0U20
LB-D316-0Y-2M										84	93	594	USHOU17
LBT-D316-0Y-2T	USLR06-M	6,3	5,5	6,2	1/4"			19,0	3/4	92	102	1202	USH0U15
LB-D416-0Y-1M	USLR03-M	2,3	2,2	2,3	1/4"	28,6	1 1/8	15,8	5/8	78	86	470	USH0U20
LB-D416-0Y-2M	USLR04	3,6	3,1	3,5	1/4"					94	106	737	USHOU16
LBT-D416-0Y-2T	USLR06-M	6,3	5,5	6,2	1/4"					116	130	1202	USH0U15
LB-D318-0Y-1M	USLR03-M	2,3	2,2	2,3	1/4"	28,6	1 1/8	12,7	1/2	76	84	470	USH0U20
LB-D318-0Y-2M										84	94	594	USHOU17
LBT-D318-0Y-2M	USLR04	3,6	3,1	3,5	1/4"			15,8	5/8	92	104	737	USHOU16
LB-Q420-0Y-2M	USLR04	3,6	3,1	3,5	1/4"	28,6	1 1/8	15,8	5/8	122	134	737	USHOU16
LBT-Q420-0Y-2T	USLR06-M	6,3	5,5	6,2	1/4"					19,0	3/4	139	153
LB-Q521-0Y-2T	USLR06-M	6,3	5,5	6,2	1/4"	28,6	1 1/8	19,0	3/4	144	153	1202	USHOU16
LBT-Q521-0Y-2T	USLR12-M	6,3	5,5	6,2	1/2"					22,2	7/8	178	189
LB-Q424-0Y-2M	USLR04	3,6	3,1	3,5	1/4"	28,6	1 1/8	15,8	5/8	127	134	737	USHOU16
LBT-Q424-0Y-2T	USLR06-M	6,3	5,5	6,2	1/4"					19,0	3/4	139	153
LB-Q524-0Y-2M	USLR04	3,6	3,1	3,5	1/4"	28,6	1 1/8	15,8	5/8	127	137	737	USHOU16
LBT-Q524-0Y-2T	USLR06-M	6,3	5,5	6,2	1/4"					19,0	3/4	139	153

Technical data

Condensing units	Liquid receiver					Piping connections				Installation/Transport			Housing
	Model	Refrigerant charge Max kg				Compressor suction valve		Liquid line valve		Net Weight kg (Standard construction)	Gross weight kg (Standard construction)	Volume with packaging dm ³	
		R134a R450A R513A	R404A R507A R407F R407A R448A R449A	R407C R22	Safety valve connection	Ø mm	Ø inch	Ø mm	Ø inch				
		⑫				⑬		⑭			⑮		
LB-Q528-0Y-2M	USLR04	3,6	3,1	3,5	1/4"	35,0	1 3/8	15,8	5/8	127	137	737	USHOU16
LBT-Q528-0Y-2T	USLR06-M	6,3	5,5	6,2	1/4"			19,0	3/4	144	157	1202	USH0U15
LB-Q728-0Y-2T	USLR06-M	6,3	5,5	6,2	1/4"	35,0	1 3/8	19,0	3/4	144	155	1202	USH0U15
LBT-Q728-0Y-2T	USLR12-M	12,1	10,6	12,0	1/2"			22,2	7/8	178	200	1652	USH0U14
LB-Q533-0Y-2M	USLR04	3,6	3,1	3,5	1/4"	35,0	1 3/8	15,8	5/8	127	137	737	USHOU16
LBT-Q533-0Y-2T	USLR06-M	6,3	5,5	6,2	1/4"			19,0	3/4	144	157	1202	USH0U15
LB-Q733-0Y-2T	USLR06.6-M	7,0	6,1	6,9	1/4"	35,0	1 3/8	19,0	3/4	144	155	1202	USH0U15
LBT-Q733-0Y-2T	USLR12-M	12,1	10,6	12,0	1/2"			22,2	7/8	178	189	1652	USH0U14
LB-Q536-0Y-2T	USLR06.6-M	7,0	6,1	6,9	1/4"	35,0	1 3/8	19,0	3/4	144	155	1202	USH0U15
LBT-Q536-0Y-2T	USLR12-M	12,1	10,6	12,0	1/2"			22,2	7/8	178	200	1652	USH0U14
LB-Q736-0Y-2T	USLR06.6-M	7,0	6,1	6,9	1/4"	35,0	1 3/8	19,0	3/4	144	155	1202	USH0U15
LBT-Q736-0Y-2T	USLR12-M	12,1	10,6	12,0	1/2"			22,2	7/8	178	189	1652	USH0U14
LB-S842-3Y-2T	USLR06-M	6,3	5,5	6,2	1/4"	35,0	1 3/8	19,0	3/4	186	205	1202	USH0U13
LBT-S842-3Y-2T	USLR12-M	12,1	10,6	12,0	1/2"			22,2	7/8	216	241	1652	USH0U14
LB-S1242-3Y-2T	USLR12-M	12,1	10,6	12,0	1/2"	35,0	1 3/8	22,2	7/8	219	241	1652	USH0U14
LBT-S1242-3Y-2T	USLR12-M	12,1	10,6	12,0	1/2"					235	261	1652	USH0U14
LB-S1052-3Y-2T	USLR06.6-M	7,0	6,1	6,9	1/4"	35,0	1 3/8	19,0	3/4	194	214	1202	USHA0U13
LBT-S1052-3Y-2T	USLR12-M	12,1	10,6	12,0	1/2"			22,2	7/8	221	249	1652	USH0U14
LB-S1552-3Y-2T	USLR12-M	12,1	10,6	12,0	1/2"	42,0	1 3/8	22,2	7/8	225	248	1652	USH0U14
LBT-S1552-3Y-2T	USLR12-M	12,1	10,6	12,0	1/2"					227	256	1652	USH0U14
LB-S1556-3Y-2T	USLR12-M	12,1	10,6	12,0	1/2"	42,0	1 3/8	22,2	7/8	229	252	1107	USH0U14
LBT-S1556-3Y-2T	USLR12-M	12,1	10,6	12,0	1/2"					231	259	1652	USH0U14
LB-S2056-3Y-2T	USLR12-M	12,1	10,6	12,0	1/2"	42,0	1 5/8	22,2	7/8	231	261	1107	USH0U14
LBT-S2056-3Y-4T	USLR12-M	12,1	10,6	12,0	1/2"					294	320	2210	n.d.
LB-V2059-3Y-2T	USLR12-M	12,1	10,6	12,0	1/2"	42,0	1 5/8	22,2	7/8	253	279	1848	USHA0U22
LBT-V2059-3Y-4T										332	358	2210	n.d.
LB-V1571-3Y-2T	USLR06.6-M	7,0	6,1	6,9	1/4"	42,0	1 5/8	19,0	3/4	250	275	999	USHA0U23
LBT-V1571-3Y-2T	USLR12-M	12,1	10,6	12,0	1/2"			22,2	7/8	263	296	1848	USHA0U22
LB-V2571-3Y-2T	USLR12-M	12,1	10,6	12,0	1/2"	42,0	1 5/8	22,2	7/8	277	310	1848	USHA0U22
LBT-V2571-3Y-4T										346	372	2210	n.d.
LB-V2084-3Y-2T	USLR12-M	12,1	10,6	12,0	1/2"	42,0	1 5/8	22,2	7/8	251	276	1848	USHA0U22
LBT-V2084-3Y-4T										347	373	2210	n.d.
LB-V3084-3Y-4T	USLR12-M	12,1	10,6	12,0	1/2"	54,0	2 1/8	22,2	7/8	354	380	2210	n.d.
LB-Z25106Y-3Y-4T	USLR12-M ⑪	12,1	10,6	12,0	1/2"	54,0	2 1/8	22,2	7/8	382	407	2210	n.d.
LBT-Z25106-3Y-4T										382	416	2210	n.d.
LB-Z30126Y-3Y-4T	USLR12-M ⑪	12,1	10,6	12,0	1/2"	54,0	2 1/8	22,2	7/8	396	421	2210	n.d.
LBT-Z30126-3Y-4T										396	430	2210	n.d.

⑪ Liquid receiver with safety valve

⑫ 90% of the volume. Liquid temperature 20°C

⑬ Valves with solder connections

⑭ Including service valves, oil charge, rubber supports; not including any accessories supplied on request

⑮ Optional component (see page 44)

Kriwan INT69 ®Diagnose multifunctional device

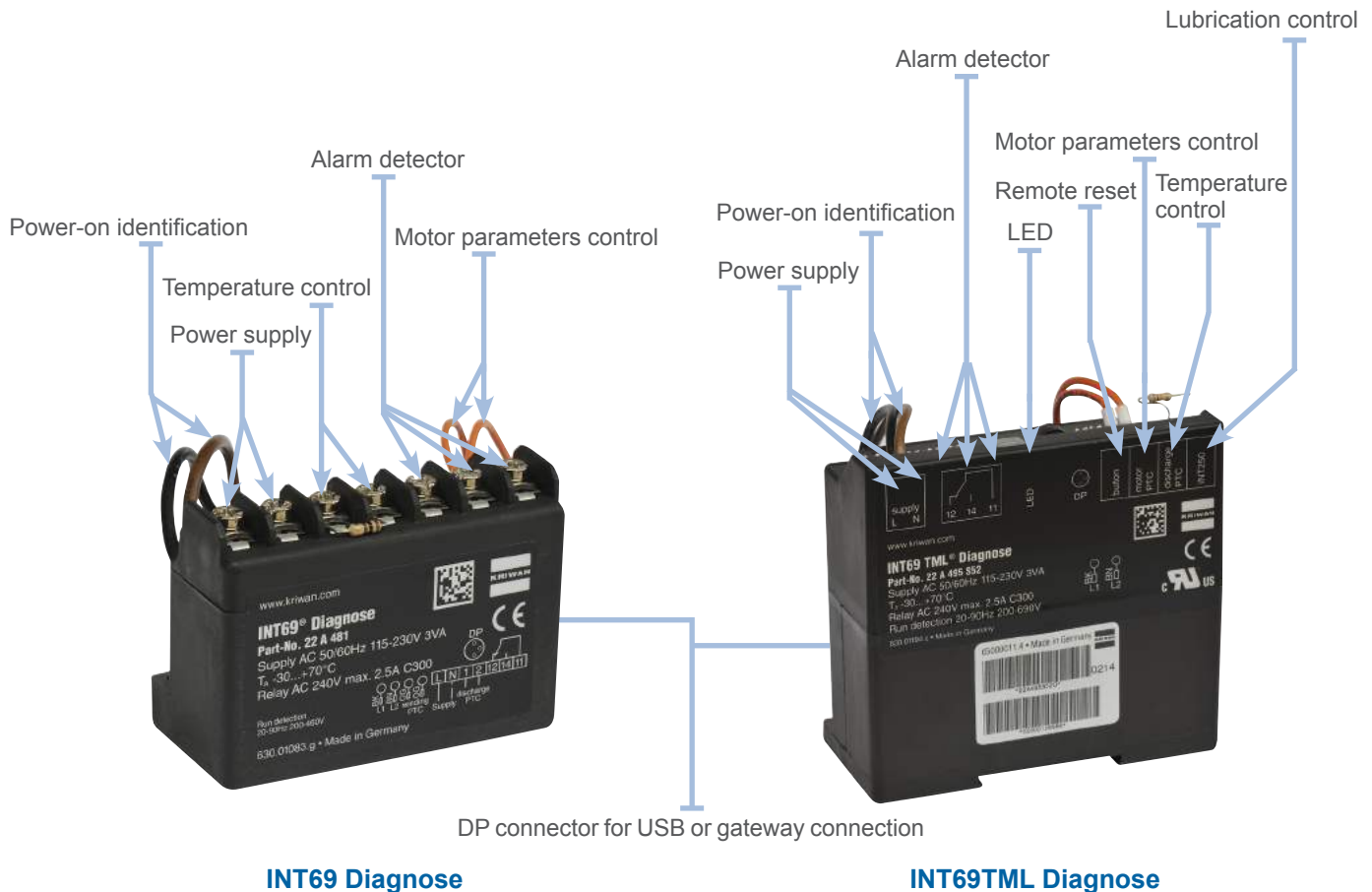
Kriwan Diagnose devices are a step ahead in the protection of compressors.

The Diagnose technology is not only limited to protecting the compressor, but also offers diagnosis and system optimisation features: it provides detailed information to technicians in order to promptly diagnose system problems, besides, it even makes it possible to prevent malfunctioning thanks to data analysis; additional protection features help extending the compressor's service life. Through this technology, users will benefit from enhanced reliability of the cooling system and from the reduction in operating and maintenance costs.

Frascold was the first compressor manufacturer to adopt this innovative technology and today it is standard on all models in the Q - S - V - Z - W series.

Advantages

- Guaranteed optimal operation throughout the compressor's entire life cycle
- Simple and straightforward operation
- Fast diagnosis and precise instructions for solving the problems causing errors and failures
- Specifically designed to satisfy the user's needs
- Intelligent monitoring of compressor operation
- Extends the operative life of cooling systems
- Improves compressor protection
- Reduces running and maintenance costs
- Automatic storage of operational data and errors in a memory
- Technical card with retrieval of stored data
- Display of compressor status through flash LED code (for TML version)
- Data download through USB connection
- Remote communication through DP-Modbus gateway or Modbus-LAN Gateway (optional)
- Applicable to previously installed compressors



INT69® Diagnose and INT69TML® Diagnose are intellectual property and trademarks ® of KRIWAN Industrie-Elektronik GmbH.

Construction features and optionals

Air-cooled condensing unit series / model	LB-A...1	LB-A...2	LBT-A...2	LB-B...1	LB-B...2	LBT-B...2	LB-D...1	LB-D...2	LBT-D...2	LB-Q...2	LBT-Q...2	LB-S...2	LBT-S...2	LBT-S...4	LB-V...2	LBT-V...2	LB-V...4	LBT-V...4	LB-Z...4	LBT-Z...4
Semi-hermetic compressor with integrated direct electric start-up motor 220-240V Δ / 380-420V / 3 / 50 Hz <=> 265-290V Δ / 440-480V / 3 / 60 Hz PTC/AMS sensors; INT69 protection device; POE oil filling; Suction and compression valves; Rubber mounts	①	①	①	①	①	①	①	①	①											
Semi-hermetic compressor with integrated direct electric start-up motor 220-240V Δ / 380-420V / 3 / 50 Hz <=> 265-290V Δ / 440-480V / 3 / 60 Hz PTC/AMS sensors; INT69 DIAGNOSE protection device; POE oil filling; Suction and compression valves; Rubber mounts										①										
Semi-hermetic compressor with integrated PWS electric start-up motor 380-420V / 3 / 50 Hz <=> 440-480V / 3 / 60 Hz AMS sensors; INT69 DIAGNOSE protection device; POE oil filling; Suction and compression valves; Rubber mounts.												①	①							
Semi-hermetic compressor with split integrated electric start-up motor (PWS) 380-420V / 3 / 50 Hz <=> 440-480V / 3 / 60 Hz; AMS Sensors; Multifunctional control and diagnosis device INT69TML DIAGNOSE; Delivery temperature control device; Electronic pressure switch for lubrication control; POE oil filling, suction and compression valve; Rubber mounts															①	①	①			
Fan motor speed regulation device (as an alternative to the pressure switch)	②	②	②	②	②	②	②	②	②	②	②	②	②	②	②	②	②	②	②	②
Liquid receiver (PED certified) with large volume, brazing Rotalock valve, plug for safety valve connection	①	①	①	①	①	①	①	①	①	①	①	①	①	①	①	①	①	①	①	①
30 bar safety valve (only for units with compressor Z25-106Y and Z30-126Y)																				①
Compressor discharge line with flexible joint	①	①	①	①	①	①	①	①	①	①	①	①	①	①	①	①	①	①	①	①
Optional "Package", includes: Liquid line (filter, liquid sight glass, service valve), high/low safety pressure switch (PED certified, Cat.IV), high pressure switch for condensation control, electrical wiring junction box.	③	④	③	④	③	④	③	④	③	④	③	④	③	④	③	④	③	④	③	④
Solenoid valve (in alternative to the liquid line service valve)	○	○	○	○	○	○	○	○	○	○	○	○	○	○	○	○	○	○	○	○
High/low pressure safety pressure switch (PED certified, Cat. IV)	○	○	○	○	○	○	○	○	○	○	○	○	○	○	○	○	○	○	○	○
Oil separator	⑤	⑤	⑤	⑤	⑤	⑤	⑤	⑤	⑤	⑤	⑤	⑤	⑤	⑤	⑤	⑤	⑤	⑤	⑤	⑤
Factory mounted Check-valve for compressor discharge line		⑥	⑥	⑥	⑥	⑥	⑥	⑥	⑥	⑥	⑥	⑥	⑥	⑥	⑥	⑥	⑥	⑥	⑥	⑥
Electrical wiring of "Package" components (pressure switches, fan motors, fan speed control)		○		○		○		○	○	○	○	○	○	○	○	○	○	○	○	○
Protecting Housing for outdoor installation	⑦	⑦	⑦	⑦	⑦	⑦	⑦	⑦	⑦	⑦	⑦	⑦	⑦	⑦	⑦	⑦	⑦	⑦	⑦	⑦

① Standard components included

○ Optional component supplied on request

② Accessory only available with single-phase fan motors (model name that ends in "M")

③ Package fitting without electric cable junction box

④ Package fitting with electric cables Junction box

⑤ Supplied without oil charge; check the amount of oil to fill into the circuit

⑥ Accessory required when the compressor is equipped with "US" head for unloading start

⑦ Supplied disassembled; the housing is not available for condensing units equipped with inverter fitted on the compressor

Performance R134a [50 Hz]

Condensing unit	Ambient temperature [°C]	Qo [Watt] = Cooling capacity Pe [kW] = Input power ①	Evaporating temperature [°C]						
			10	5	0	5	-10	-15	-20
LB-A075-0Y-1M	27	Qo	3607	3006	2465	1984	1562	1196	884
		Pe	1,00	0,93	0,86	0,80	0,74	0,68	0,63
	32	Qo	3400	2827	2312	1853	1452	1103	804
		Pe	1,06	0,98	0,91	0,84	0,78	0,71	0,64
	43	Qo	2956	2450	1996	1590	1234	923	654
		Pe	1,18	1,09	1,01	0,93	0,85	0,76	0,68
LB1-A075-0Y-2M	27	Qo	3733	3097	2528	2027	1590	1214	895
		Pe	0,94	0,87	0,81	0,75	0,70	0,64	0,59
	32	Qo	3517	2908	2371	1892	1476	1118	813
		Pe	0,99	0,92	0,86	0,79	0,73	0,67	0,61
	43	Qo	3055	2519	2042	1620	1252	932	660
		Pe	1,12	1,04	0,96	0,88	0,81	0,73	0,64
LB-T-A075-0Y-2M	38	Qo	3422	2809	2269	1795	1382	1025	725
		Pe	1,22	1,15	1,09	1,03	0,96	0,90	0,83
	43	Qo	3211	2628	2118	1672	1281	944	660
		Pe	1,28	1,21	1,14	1,07	1,00	0,92	0,84
	48	Qo	3001	2454	1974	1554	1186	869	600
		Pe	1,33	1,26	1,18	1,10	1,03	0,94	0,85
LB-A106-0Y-1M	27	Qo	3808	3182	2617	2114	1672	1286	954
		Pe	1,06	1,00	0,93	0,87	0,81	0,74	0,67
	32	Qo	3588	2993	2457	1978	1555	1186	871
		Pe	1,12	1,05	0,98	0,91	0,84	0,76	0,68
	43	Qo	3123	2595	2119	1696	1322	993	708
		Pe	1,24	1,16	1,08	0,99	0,91	0,81	0,71
LB-A106-0Y-2M	27	Qo	3949	3282	2688	2162	1702	1306	967
		Pe	0,99	0,94	0,88	0,82	0,76	0,70	0,63
	32	Qo	3717	3087	2519	2022	1583	1205	881
		Pe	1,05	0,99	0,93	0,86	0,80	0,73	0,65
	43	Qo	3234	2672	2173	1731	1342	1006	715
		Pe	1,17	1,10	1,03	0,95	0,87	0,77	0,67
LB-T-A106-0Y-2M	38	Qo	3632	2987	2419	1922	1489	1110	789
		Pe	1,27	1,21	1,15	1,09	1,02	0,95	0,86
	43	Qo	3406	2796	2259	1790	1380	1021	717
		Pe	1,33	1,27	1,20	1,13	1,05	0,97	0,87
	48	Qo	3186	2612	2106	1665	1278	940	651
		Pe	1,39	1,32	1,25	1,17	1,08	0,99	0,89
LB-A107-0Y-1M	27	Qo	4879	4122	3439	2825	2284	1815	1414
		Pe	1,32	1,23	1,15	1,07	1,00	0,93	0,85
	32	Qo	4585	3870	3221	2638	2130	1682	1301
		Pe	1,40	1,30	1,21	1,13	1,04	0,96	0,87
	43	Qo	3953	3321	2754	2244	1796	1405	1065
		Pe	1,57	1,45	1,34	1,23	1,13	1,02	0,90
LB-A107-0Y-2M	27	Qo	5119	4297	3561	2911	2344	1855	1440
		Pe	1,22	1,15	1,08	1,01	0,95	0,88	0,81
	32	Qo	4813	4032	3334	2722	2181	1719	1324
		Pe	1,31	1,22	1,15	1,07	0,99	0,92	0,83
	43	Qo	4154	3467	2853	2312	1841	1433	1081
		Pe	1,48	1,38	1,28	1,18	1,08	0,98	0,87
LB-T-A107-0Y-2M	38	Qo	4768	3953	3235	2611	2075	1615	1218
		Pe	1,52	1,45	1,38	1,30	1,22	1,14	1,05
	43	Qo	4459	3688	3011	2424	1917	1488	1108
		Pe	1,60	1,52	1,44	1,35	1,26	1,17	1,07
	48	Qo	4151	3428	2793	2241	1765	1360	1000
		Pe	1,68	1,59	1,50	1,40	1,30	1,19	1,07
LB-A157-0Y-1M	27	Qo	5128	4307	3569	2919	2350	1858	1438
		Pe	1,27	1,21	1,16	1,10	1,04	0,97	0,90
	32	Qo	4840	4059	3354	2737	2196	1726	1322
		Pe	1,35	1,28	1,22	1,15	1,08	1,00	0,93
	43	Qo	4209	3514	2894	2348	1866	1449	1085
		Pe	1,51	1,43	1,34	1,25	1,16	1,06	0,95
LB-A157-0Y-2M	27	Qo	5036	4234	3519	2880	2321	1838	1422
		Pe	1,22	1,16	1,10	1,04	0,97	0,91	0,84
	32	Qo	4752	3988	3307	2701	2165	1705	1308
		Pe	1,30	1,23	1,16	1,09	1,02	0,94	0,86
	43	Qo	4127	3452	2848	2312	1841	1430	1073
		Pe	1,46	1,37	1,28	1,19	1,09	0,99	0,89
LB-T-A157-0Y-2M	38	Qo	4703	3914	3209	2596	2065	1605	1205
		Pe	1,51	1,45	1,39	1,32	1,24	1,16	1,07
	43	Qo	4410	3661	2998	2419	1914	1481	1098
		Pe	1,59	1,52	1,44	1,36	1,28	1,18	1,08
	48	Qo	4124	3415	2792	2245	1768	1359	995
		Pe	1,66	1,58	1,50	1,41	1,31	1,20	1,09

① For performance data references see page 20.

■ Additional cooling required.

Performance R134a [50 Hz]

Condensing unit	Ambient temperature [°C]	Qo [Watt] = Cooling capacity Pe [kW] = Input power ①	Evaporating temperature [°C]						
			10	5	0	5	-10	-15	-20
LB-B159-0Y-1M	27	Qo	6048	5186	4381	3649	2991	2407	1897
		Pe	1,91	1,70	1,52	1,35	1,21	1,08	0,96
	32	Qo	5679	4868	4110	3419	2793	2238	1749
		Pe	1,97	1,75	1,55	1,38	1,23	1,09	0,96
	43	Qo	4871	4174	3517	2912	2357	1860	1416
		Pe	2,09	1,84	1,62	1,42	1,25	1,09	0,96
LB-B159-0Y-2M	27	Qo	6424	5459	4586	3791	3089	2473	1943
		Pe	1,80	1,62	1,45	1,30	1,16	1,04	0,92
	32	Qo	6046	5138	4303	3557	2884	2302	1789
		Pe	1,87	1,67	1,49	1,33	1,18	1,05	0,92
	43	Qo	5204	4419	3692	3032	2439	1913	1450
		Pe	2,01	1,77	1,57	1,38	1,21	1,06	0,92
LBT-B159-0Y-2M	38	Qo	6095	5116	4239	3461	2781	2187	1674
		Pe	2,07	1,88	1,70	1,54	1,39	1,25	1,13
	43	Qo	5702	4777	3953	3217	2569	2008	1516
		Pe	2,13	1,93	1,74	1,57	1,40	1,26	1,13
	48	Qo	5307	4438	3661	2971	2365	1829	1358
		Pe	2,19	1,97	1,77	1,58	1,41	1,26	1,12
LB-B210-0Y-1M	27	Qo	7127	6065	5085	4200	3405	2708	2111
		Pe	1,94	1,84	1,72	1,60	1,47	1,34	1,20
	32	Qo	6687	5681	4762	3926	3177	2515	1954
		Pe	2,12	1,98	1,84	1,69	1,54	1,39	1,24
	43	Qo	5719	4849	4049	3323	2673	2098	1602
		Pe	2,46	2,26	2,06	1,86	1,66	1,46	1,27
LB-B210-0Y-2M	27	Qo	6942	5924	4981	4120	3351	2670	2084
		Pe	1,95	1,82	1,69	1,56	1,42	1,28	1,14
	32	Qo	6501	5546	4661	3847	3121	2477	1925
		Pe	2,12	1,96	1,81	1,65	1,49	1,33	1,17
	43	Qo	5546	4720	3956	3254	2623	2066	1577
		Pe	2,44	2,23	2,02	1,81	1,60	1,40	1,20
LBT-B210-0Y-2M	38	Qo	6613	5562	4609	3765	3018	2363	1811
		Pe	2,27	2,16	2,02	1,88	1,72	1,55	1,39
	43	Qo	6159	5175	4282	3488	2785	2173	1649
		Pe	2,44	2,29	2,13	1,95	1,77	1,58	1,40
	48	Qo	5710	4788	3959	3212	2556	1984	1494
		Pe	2,59	2,41	2,22	2,02	1,81	1,60	1,40
LB-D211-0Y-1M	27	Qo	7991	6820	5722	4703	3781	2975	2289
		Pe	2,16	2,03	1,89	1,76	1,62	1,48	1,34
	32	Qo	7461	6363	5343	4388	3526	2768	2127
		Pe	2,30	2,14	1,98	1,83	1,67	1,52	1,36
	43	Qo	6292	5368	4486	3669	2933	2276	1716
		Pe	2,56	2,35	2,15	1,96	1,77	1,58	1,39
LB-D211-0Y-2M	27	Qo	8648	7297	6055	4929	3929	3065	2345
		Pe	2,12	2,03	1,93	1,83	1,71	1,59	1,46
	32	Qo	8094	6835	5668	4614	3680	2866	2188
		Pe	2,27	2,15	2,03	1,91	1,77	1,63	1,48
	43	Qo	6881	5798	4796	3890	3081	2377	1783
		Pe	2,56	2,40	2,23	2,05	1,88	1,70	1,52
LBT-D211-0Y-2M	38	Qo	7661	6433	5320	4306	3413	2644	1998
		Pe	2,45	2,32	2,19	2,04	1,89	1,74	1,57
	43	Qo	7108	5960	4912	3970	3134	2414	1808
		Pe	2,58	2,43	2,27	2,11	1,94	1,76	1,59
	48	Qo	6546	5488	4514	3632	2853	2175	1596
		Pe	2,71	2,53	2,35	2,16	1,98	1,79	1,60
LB-D213-0Y-1M	27	Qo	9046	7748	6550	5442	4448	3573	2822
		Pe	2,66	2,45	2,25	2,06	1,88	1,71	1,55
	32	Qo	8462	7250	6119	5084	4146	3322	2610
		Pe	2,82	2,58	2,36	2,15	1,95	1,76	1,59
	43	Qo	7176	6142	5179	4296	3489	2776	2155
		Pe	3,13	2,84	2,57	2,31	2,07	1,86	1,66
LB-D213-0Y-2M	27	Qo	9864	8366	6985	5753	4664	3720	2921
		Pe	2,55	2,41	2,26	2,11	1,96	1,81	1,66
	32	Qo	9257	7843	6542	5380	4353	3462	2705
		Pe	2,73	2,56	2,38	2,21	2,03	1,86	1,70
	43	Qo	7922	6693	5575	4570	3680	2901	2238
		Pe	3,08	2,85	2,61	2,38	2,17	1,96	1,78
LBT-D213-0Y-2M	38	Qo	8828	7424	6172	5045	4060	3207	2484
		Pe	2,92	2,74	2,55	2,35	2,16	1,98	1,81
	43	Qo	8205	6906	5724	4675	3752	2952	2271
		Pe	3,08	2,87	2,65	2,43	2,22	2,02	1,84
	48	Qo	7588	6379	5287	4308	3450	2703	2064
		Pe	3,24	2,99	2,74	2,51	2,28	2,07	1,88

① For performance data references see page 20.

■ Additional cooling required.

Performance R134a [50 Hz]

Condensing unit	Ambient temperature [°C]	Qo [Watt] = Cooling capacity Pe [kW] = Input power ①	Evaporating temperature [°C]						
			10	5	0	5	-10	-15	-20
LB-D313-0Y-1M	27	Qo	9064	7716	6463	5333	4326	3454	2719
		Pe	2,67	2,47	2,28	2,09	1,92	1,75	1,59
	32	Qo	8469	7190	6026	4958	4007	3188	2494
		Pe	2,82	2,59	2,37	2,16	1,97	1,78	1,61
	43	Qo	7163	6073	5060	4143	3329	2623	2021
		Pe	3,10	2,81	2,53	2,28	2,04	1,83	1,64
LB-D313-0Y-2M	27	Qo	9912	8336	6913	5648	4544	3602	2819
		Pe	2,57	2,43	2,30	2,16	2,01	1,86	1,71
	32	Qo	9295	7800	6454	5267	4218	3335	2590
		Pe	2,74	2,58	2,41	2,24	2,07	1,90	1,73
	43	Qo	7929	6634	5456	4423	3520	2746	2102
		Pe	3,07	2,83	2,60	2,37	2,16	1,95	1,76
LBT-D313-0Y-2T	38	Qo	9348	7738	6321	5083	4020	3133	2384
		Pe	3,03	2,89	2,74	2,57	2,40	2,22	2,05
	43	Qo	8687	7179	5848	4681	3692	2858	2157
		Pe	3,20	3,02	2,83	2,64	2,44	2,24	2,06
	48	Qo	8038	6621	5373	4295	3368	2596	1936
		Pe	3,35	3,14	2,91	2,69	2,47	2,26	2,07
LB-D316-0Y-1M	27	Qo	10348	8918	7555	6305	5172	4158	3273
		Pe	3,35	3,01	2,70	2,41	2,15	1,90	1,67
	32	Qo	9692	8334	7064	5885	4810	3843	2994
		Pe	3,47	3,10	2,77	2,47	2,19	1,93	1,68
	43	Qo	8243	7079	5989	4957	4017	3156	2386
		Pe	3,69	3,27	2,90	2,55	2,24	1,94	1,67
LB-D316-0Y-2M	27	Qo	11438	9716	8147	6724	5471	4367	3419
		Pe	3,26	2,98	2,72	2,48	2,24	2,01	1,79
	32	Qo	10744	9124	7635	6294	5102	4048	3134
		Pe	3,41	3,10	2,81	2,55	2,29	2,04	1,80
	43	Qo	9226	7815	6511	5334	4282	3342	2509
		Pe	3,68	3,31	2,97	2,65	2,36	2,07	1,80
LBT-D316-0Y-2T	38	Qo	10982	9176	7565	6149	4915	3841	2917
		Pe	3,66	3,39	3,13	2,87	2,61	2,36	2,11
	43	Qo	10246	8542	7041	5696	4529	3508	2618
		Pe	3,80	3,50	3,21	2,92	2,64	2,37	2,11
	48	Qo	9518	7921	6505	5246	4148	3174	2319
		Pe	3,93	3,60	3,27	2,96	2,66	2,37	2,09
LB-D416-0Y-1M	27	Qo	10456	9034	7706	6464	5338	4332	3456
		Pe	3,75	3,43	3,14	2,87	2,62	2,38	2,14
	32	Qo	9778	8460	7215	6051	4985	4032	3204
		Pe	3,93	3,59	3,27	2,98	2,71	2,44	2,18
	43	Qo	8324	7211	6141	5148	4230	3403	2677
		Pe	4,32	3,91	3,54	3,19	2,87	2,55	2,24
LB-D416-0Y-2M	27	Qo	12038	10229	8565	7081	5764	4624	3659
		Pe	3,50	3,28	3,09	2,89	2,70	2,50	2,29
	32	Qo	11324	9600	8041	6639	5398	4313	3399
		Pe	3,70	3,47	3,24	3,02	2,80	2,58	2,35
	43	Qo	9749	8264	6905	5685	4599	3657	2846
		Pe	4,14	3,84	3,55	3,27	2,99	2,71	2,43
LBT-D416-0Y-2T	38	Qo	11159	9373	7769	6356	5125	4057	3160
		Pe	3,98	3,76	3,55	3,33	3,10	2,87	2,62
	43	Qo	10419	8740	7244	5910	4756	3758	2907
		Pe	4,19	3,94	3,69	3,45	3,19	2,93	2,65
	48	Qo	9673	8109	6717	5477	4397	3462	2666
		Pe	4,39	4,11	3,83	3,55	3,26	2,97	2,67
LB-D318-0Y-1M	27	Qo	11218	9765	8375	7074	5883	4807	3878
		Pe	4,08	3,69	3,33	3,01	2,71	2,44	2,19
	32	Qo	10468	9119	7827	6615	5496	4488	3607
		Pe	4,27	3,85	3,47	3,13	2,81	2,52	2,26
	43	Qo	8811	7711	6612	5597	4646	3784	3021
		Pe	4,64	4,17	3,75	3,36	3,00	2,67	2,37
LB-D318-0Y-2M	27	Qo	12586	10784	9128	7606	6248	5059	4048
		Pe	3,84	3,54	3,25	2,98	2,73	2,50	2,28
	32	Qo	11820	10122	8563	7131	5853	4734	3773
		Pe	4,05	3,72	3,41	3,12	2,85	2,59	2,35
	43	Qo	10084	8642	7309	6085	4988	4012	3175
		Pe	4,49	4,09	3,73	3,38	3,06	2,76	2,47
LBT-D318-0Y-2M	38	Qo	11355	9675	8136	6746	5512	4430	3506
		Pe	4,24	3,91	3,59	3,29	3,01	2,74	2,48
	43	Qo	10557	8994	7563	6263	5108	4100	3234
		Pe	4,44	4,08	3,74	3,41	3,10	2,81	2,53
	48	Qo	9750	8309	6990	5784	4713	3775	2962
		Pe	4,63	4,24	3,87	3,52	3,18	2,87	2,58

① For performance data references see page 20.

■ Additional cooling required.

Performance R134a [50 Hz]

Condensing unit	Ambient temperature [°C]	Qo [Watt] = Cooling capacity Pe [kW] = Input power ①	Evaporating temperature [°C]						
			10	5	0	5	-10	-15	-20
LB-Q420-0Y-2M	27	Qo	14817	12604	10573	8714	7062	5628	4421
		Pe	3,58	3,33	3,09	2,85	2,62	2,39	2,16
	32	Qo	13963	11879	9951	8197	6626	5259	4104
		Pe	3,85	3,57	3,29	3,02	2,76	2,50	2,24
	43	Qo	12089	10273	8570	7041	5658	4449	3413
		Pe	4,42	4,05	3,71	3,36	3,02	2,70	2,38
LBT-Q420-0Y-2T	38	Qo	13960	11734	9725	7925	6340	4979	3833
		Pe	4,08	3,85	3,59	3,34	3,07	2,80	2,53
	43	Qo	13074	10982	9082	7382	5891	4596	3512
		Pe	4,36	4,08	3,79	3,49	3,19	2,89	2,60
	48	Qo	12161	10212	8432	6838	5439	4222	3195
		Pe	4,63	4,30	3,97	3,64	3,30	2,97	2,65
LB-Q521-0Y-2T	27	Qo	16193	13505	11075	8938	7091	5522	4225
		Pe	3,72	3,50	3,29	3,07	2,84	2,62	2,39
	32	Qo	15252	12671	10362	8338	6573	5093	3852
		Pe	3,98	3,72	3,47	3,20	2,95	2,69	2,44
	43	Qo	13086	10824	8793	6998	5447	4134	3048
		Pe	4,48	4,13	3,78	3,45	3,12	2,80	2,50
LBT-Q521-0Y-2T	38	Qo	14916	12256	9930	7897	6151	4679	3442
		Pe	4,93	4,69	4,43	4,16	3,89	3,62	3,35
	43	Qo	13906	11400	9187	7279	5625	4235	3070
		Pe	5,17	4,88	4,58	4,27	3,97	3,66	3,37
	48	Qo	12889	10532	8446	6653	5117	3797	2708
		Pe	5,39	5,05	4,71	4,36	4,02	3,69	3,38
LB-Q424-0Y-2M	27	Qo	16238	13837	11599	9551	7718	6106	4736
		Pe	4,47	4,10	3,76	3,43	3,11	2,80	2,52
	32	Qo	15200	12934	10841	8909	7179	5655	4359
		Pe	4,72	4,33	3,94	3,57	3,22	2,88	2,56
	43	Qo	12881	10979	9174	7510	6015	4691	3547
		Pe	5,24	4,76	4,30	3,85	3,42	3,01	2,63
LBT-Q424-0Y-2T	38	Qo	15330	12874	10624	8633	6856	5337	4046
		Pe	4,92	4,57	4,22	3,86	3,51	3,16	2,82
	43	Qo	14213	11927	9834	7969	6314	4887	3669
		Pe	5,18	4,79	4,39	3,99	3,60	3,22	2,85
	48	Qo	13113	10988	9056	7314	5783	4446	3304
		Pe	5,43	4,99	4,55	4,11	3,69	3,27	2,88
LB-Q524-0Y-2M	27	Qo	16479	13986	11645	9545	7670	6038	4663
		Pe	4,41	4,02	3,66	3,33	3,01	2,72	2,44
	32	Qo	15465	13079	10898	8907	7129	5589	4280
		Pe	4,65	4,23	3,83	3,46	3,12	2,79	2,49
	43	Qo	13145	11095	9207	7483	5930	4578	3412
		Pe	5,14	4,63	4,15	3,71	3,30	2,91	2,56
LBT-Q524-0Y-2T	38	Qo	15600	13022	10682	8616	6808	5248	3939
		Pe	4,85	4,47	4,10	3,75	3,40	3,07	2,75
	43	Qo	14492	12075	9896	7948	6244	4772	3532
		Pe	5,10	4,67	4,26	3,86	3,49	3,12	2,78
	48	Qo	13386	11121	9084	7265	5674	4304	3139
		Pe	5,32	4,85	4,40	3,97	3,56	3,16	2,80
LB-Q528-0Y-2M	27	Qo	18377	15736	13272	11016	8980	7191	5675
		Pe	5,56	5,02	4,53	4,08	3,67	3,30	2,95
	32	Qo	17175	14734	12429	10302	8394	6702	5261
		Pe	5,86	5,27	4,73	4,25	3,80	3,39	3,02
	43	Qo	14627	12515	10561	8741	7093	5633	4367
		Pe	6,46	5,77	5,13	4,56	4,03	3,55	3,11
LBT-Q528-0Y-2T	38	Qo	17606	14852	12333	10095	8113	6402	4949
		Pe	5,99	5,47	4,99	4,52	4,09	3,68	3,29
	43	Qo	16338	13789	11443	9357	7509	5901	4536
		Pe	6,30	5,72	5,19	4,68	4,20	3,75	3,33
	48	Qo	15094	12734	10564	8613	6896	5399	4117
		Pe	6,58	5,95	5,36	4,81	4,29	3,80	3,35
LB-Q728-0Y-2T	27	Qo	20398	17157	14228	11623	9345	7388	5756
		Pe	5,25	4,87	4,52	4,19	3,86	3,54	3,23
	32	Qo	19178	16131	13358	10894	8739	6880	5328
		Pe	5,58	5,15	4,75	4,37	4,00	3,64	3,30
	43	Qo	16481	13806	11416	9266	7387	5769	4391
		Pe	6,23	5,68	5,17	4,69	4,23	3,79	3,38
LBT-Q728-0Y-2T	38	Qo	19078	15851	12985	10487	8315	6486	4956
		Pe	6,48	6,09	5,71	5,33	4,95	4,58	4,21
	43	Qo	17800	14758	12078	9730	7699	5969	4517
		Pe	6,79	6,35	5,91	5,48	5,05	4,64	4,24
	48	Qo	16510	13667	11166	8966	7066	5453	4082
		Pe	7,09	6,58	6,09	5,61	5,14	4,69	4,25

① For performance data references see page 20.

■ Additional cooling required.

Performance R134a [50 Hz]

Condensing unit	Ambient temperature [°C]	Qo [Watt] = Cooling capacity Pe [kW] = Input power ①	Evaporating temperature [°C]						
			10	5	0	5	-10	-15	-20
LB-Q533-0Y-2M	27	Qo	20074	17429	14873	12511	10319	8327	6536
		Pe	6,65	5,95	5,35	4,80	4,30	3,82	3,34
	32	Qo	18811	16300	13948	11747	9684	7813	6108
		Pe	7,01	6,28	5,62	5,03	4,49	3,96	3,45
	43	Qo	15989	13895	11914	10054	8309	6683	5181
		Pe	7,76	6,94	6,19	5,51	4,87	4,26	3,67
LBT-Q533-0Y-2T	38	Qo	19476	16629	14002	11619	9471	7547	5824
		Pe	7,05	6,42	5,84	5,30	4,78	4,27	3,76
	43	Qo	18113	15452	13037	10827	8819	7021	5396
		Pe	7,43	6,75	6,12	5,53	4,97	4,41	3,85
	48	Qo	16752	14305	12070	10037	8175	6495	4962
		Pe	7,80	7,06	6,38	5,74	5,13	4,54	3,94
LB-Q733-0Y-2T	27	Qo	23587	19971	16684	13700	11075	8791	6861
		Pe	6,32	5,91	5,47	5,03	4,56	4,10	3,63
	32	Qo	22190	18805	15700	12896	10395	8231	6387
		Pe	6,72	6,24	5,74	5,23	4,72	4,21	3,72
	43	Qo	19089	16188	13491	11068	8895	6990	5347
		Pe	7,48	6,85	6,23	5,61	5,01	4,43	3,90
LBT-Q733-0Y-2T	38	Qo	21866	18334	15168	12362	9894	7748	5942
		Pe	7,68	7,23	6,74	6,22	5,69	5,17	4,66
	43	Qo	20408	17112	14157	11520	9199	7185	5464
		Pe	8,04	7,52	6,96	6,40	5,82	5,27	4,74
	48	Qo	18946	15895	13128	10674	8500	6610	4994
		Pe	8,38	7,78	7,18	6,56	5,95	5,37	4,84
LB-Q536-0Y-2T	27	Qo			17542	14651	12079	9788	7801
		Pe			6,00	5,43	4,89	4,40	3,94
	32	Qo			16479	13742	11312	9150	7279
		Pe			6,34	5,71	5,12	4,58	4,07
	43	Qo			14065	11705	9587	7722	6089
		Pe			6,93	6,20	5,51	4,87	4,28
LBT-Q536-0Y-2T	38	Qo			16226	13400	10907	8744	6869
		Pe			7,28	6,68	6,10	5,55	5,03
	43	Qo			15101	12439	10110	8069	6313
		Pe			7,58	6,92	6,28	5,69	5,12
	48	Qo			13966	11479	9284	7389	5760
		Pe			7,82	7,10	6,42	5,78	5,18
LB-Q736-0Y-2T	27	Qo	26171	22509	19088	15944	13097	10581	8411
		Pe	7,68	6,70	6,01	5,53	5,19	4,91	4,62
	32	Qo	24793	21307	18036	15001	12254	9819	7726
		Pe	8,08	7,05	6,29	5,74	5,33	4,96	4,58
	43	Qo	21604	18609	15717	13037	10585	8403	6508
		Pe	8,97	7,87	7,04	6,39	5,85	5,35	4,82
LBT-Q736-0Y-2T	38	Qo	24648	20973	17594	14510	11739	9295	7190
		Pe	9,00	8,02	7,30	6,75	6,32	5,93	5,50
	43	Qo	23176	19728	16516	13599	10966	8655	6665
		Pe	9,42	8,41	7,65	7,05	6,57	6,12	5,63
	48	Qo	21673	18436	15439	12690	10234	8054	6196
		Pe	9,82	8,79	8,00	7,38	6,86	6,37	5,83
LB-S842-3Y-2T	27	Qo	30354	25916	21853	18153	14881	12001	9500
		Pe	9,86	8,65	7,59	6,64	5,79	5,03	4,34
	32	Qo	28591	24346	20474	16983	13853	11125	8741
		Pe	10,36	9,05	7,88	6,84	5,92	5,09	4,36
	43	Qo	24530	20821	17383	14285	11546	9119	7008
		Pe	11,21	9,66	8,29	7,08	6,01	5,09	4,31
LBT-S842-3Y-2T	38	Qo	29568	24778	20523	16756	13458	10636	8200
		Pe	10,96	9,82	8,74	7,74	6,82	5,98	5,23
	43	Qo	27633	23111	19054	15498	12372	9673	7378
		Pe	11,46	10,17	8,98	7,88	6,87	5,97	5,20
	48	Qo	25717	21405	17579	14197	11257	8724	6561
		Pe	11,87	10,45	9,14	7,95	6,88	5,94	5,14
LB-S1242-3Y-2T	27	Qo	31104	26299	21970	18069	14637	11638	9071
		Pe	7,57	7,10	6,63	6,17	5,70	5,23	4,77
	32	Qo	29284	24718	20579	16870	13611	10747	8291
		Pe	8,02	7,47	6,93	6,40	5,88	5,36	4,84
	43	Qo	25363	21288	17568	14275	11357	8826	6675
		Pe	8,91	8,19	7,50	6,82	6,16	5,51	4,89
LBT-S1242-3Y-2T	38	Qo	27713	23242	19240	15672	12528	9814	7492
		Pe	8,39	7,79	7,20	6,61	6,03	5,45	4,88
	43	Qo	25920	21696	17876	14501	11534	8948	6755
		Pe	8,78	8,11	7,44	6,79	6,14	5,51	4,89
	48	Qo	24115	20123	16524	13333	10524	8110	6035
		Pe	9,18	8,41	7,67	6,95	6,24	5,55	4,88

① For performance data references see page 20.

■ Additional cooling required.

Performance R134a [50 Hz]

Condensing unit	Ambient temperature [°C]	Qo [Watt] = Cooling capacity Pe [kW] = Input power ①	Evaporating temperature [°C]						
			10	5	0	5	-10	-15	-20
LB-S1052-3Y-2T	27	Qo	34159	29474	25109	21074	17440	14198	11359
		Pe	10,63	9,51	8,49	7,56	6,70	5,92	5,22
	32	Qo	32112	27716	23584	19793	16342	13271	10558
		Pe	11,21	10,00	8,91	7,90	6,99	6,15	5,40
	43	Qo	27499	23746	20241	16957	13963	11227	8778
		Pe	12,43	11,03	9,75	8,60	7,55	6,62	5,80
LBT-S1052-3Y-2T	38	Qo	33423	28391	23804	19698	16058	12863	10078
		Pe	11,71	10,68	9,72	8,80	7,93	7,12	6,38
	43	Qo	31209	26498	22232	18380	14956	11917	9260
		Pe	12,32	11,20	10,13	9,13	8,19	7,33	6,56
	48	Qo	29040	24627	20657	17049	13832	10962	8427
		Pe	12,90	11,68	10,52	9,45	8,45	7,55	6,75
LB-S1552-3Y-2T	27	Qo	37498	31852	26703	22135	18091	14571	11546
		Pe	9,06	8,52	8,01	7,48	6,95	6,41	5,87
	32	Qo	35322	30015	25171	20838	16984	13637	10723
		Pe	9,72	9,09	8,48	7,87	7,27	6,66	6,05
	43	Qo	30561	25925	21728	17940	14553	11563	8931
		Pe	11,08	10,24	9,42	8,62	7,84	7,07	6,31
LBT-S1552-3Y-2T	38	Qo	33524	28357	23704	19554	15887	12658	9879
		Pe	10,25	9,58	8,90	8,23	7,55	6,87	6,20
	43	Qo	31354	26532	22135	18236	14765	11727	9048
		Pe	10,86	10,08	9,32	8,55	7,80	7,04	6,30
	48	Qo	29183	24655	20580	16920	13656	10770	8230
		Pe	11,44	10,56	9,70	8,85	8,01	7,18	6,37
LB-S1556-3Y-2T	27	Qo	40428	34573	29169	24295	19932	16124	12826
		Pe	12,81	11,64	10,57	9,56	8,61	7,71	6,86
	32	Qo	38058	32519	27449	22834	18721	15101	11933
		Pe	13,49	12,22	11,03	9,92	8,88	7,90	7,00
	43	Qo	32863	28107	23687	19682	16065	12827	9961
		Pe	14,81	13,28	11,86	10,55	9,33	8,22	7,21
LBT-S1556-3Y-2T	38	Qo	36190	30816	25924	21491	17544	14046	11003
		Pe	14,00	12,65	11,39	10,21	9,10	8,06	7,11
	43	Qo	33817	28776	24190	20054	16337	13024	10104
		Pe	14,59	13,13	11,76	10,48	9,29	8,20	7,20
	48	Qo	31467	26765	22489	18606	15109	11992	9203
		Pe	15,13	13,56	12,09	10,72	9,46	8,30	7,27
LB-S2056-3Y-2T	27	Qo	41966	35660	29943	24829	20301	16374	12993
		Pe	10,92	10,15	9,40	8,67	7,95	7,24	6,55
	32	Qo	39613	33633	28251	23396	19102	15350	12090
		Pe	11,61	10,74	9,88	9,06	8,25	7,47	6,72
	43	Qo	34379	29181	24471	20216	16411	13053	10103
		Pe	12,97	11,87	10,80	9,78	8,80	7,86	6,98
LBT-S2056-3Y-4T	38	Qo	39272	33041	27475	22552	18237	14525	11297
		Pe	13,21	12,40	11,59	10,77	9,95	9,13	8,34
	43	Qo	36808	30957	25704	21080	16996	13449	10375
		Pe	13,87	12,94	12,03	11,10	10,20	9,31	8,45
	48	Qo	34342	28854	23932	19595	15757	12405	9462
		Pe	14,48	13,44	12,42	11,40	10,41	9,45	8,54
LB-V2059-3Y-2T	27	Qo	44400	37719	31690	26236	21395	17174	13545
		Pe	11,06	10,18	9,32	8,51	7,72	6,97	6,23
	32	Qo	41853	35554	29786	24644	20051	16029	12547
		Pe	11,66	10,68	9,74	8,84	7,98	7,15	6,36
	43	Qo	36193	30695	25665	21112	17055	13466	10275
		Pe	12,83	11,64	10,51	9,43	8,41	7,45	6,56
LBT-V2059-3Y-4T	38	Qo	41628	34975	29020	23743	19109	15096	11623
		Pe	13,21	12,30	11,40	10,51	9,63	8,78	7,96
	43	Qo	38950	32694	27066	22104	17737	13916	10586
		Pe	13,79	12,77	11,77	10,79	9,83	8,91	8,04
	48	Qo	36235	30394	25140	20454	16343	12730	9542
		Pe	14,32	13,19	12,09	11,03	10,00	9,02	8,10
LB-V1571-3Y-2T	27	Qo	42715	37343	32294	27432	22906	18783	15125
		Pe	15,86	13,93	12,17	10,62	9,23	7,99	6,89
	32	Qo	39916	35009	30273	25706	21471	17557	14032
		Pe	16,47	14,41	12,57	10,93	9,46	8,16	7,00
	43	Qo			25862	21925	18265	14829	11646
		Pe			13,30	11,48	9,85	8,41	7,15
LBT-V1571-3Y-2T	38	Qo	43280	37105	31421	26211	21524	17326	13622
		Pe	16,60	14,85	13,22	11,72	10,32	9,05	7,90
	43	Qo	40360	34571	29317	24424	20009	16055	12495
		Pe	17,25	15,37	13,62	12,01	10,53	9,18	7,98
	48	Qo		32113	27179	22642	18505	14757	11369
		Pe		15,83	13,97	12,26	10,70	9,28	8,03

① For performance data references see page 20.

■ Additional cooling required.

Performance R134a [50 Hz]

Condensing unit	Ambient temperature [°C]	Qo [Watt] = Cooling capacity Pe [kW] = Input power ①	Evaporating temperature [°C]						
			10	5	0	5	-10	-15	-20
LB-V2571-3Y-2T	27	Qo	49676	42491	35786	29620	24038	19076	14724
		Pe	14,93	13,65	12,47	11,35	10,30	9,31	8,36
	32	Qo	46422	39654	33345	27547	22262	17538	13458
		Pe	15,57	14,18	12,88	11,66	10,51	9,42	8,38
	43	Qo	39499	33628	28136	23076	18513	14415	10849
		Pe	16,80	15,17	13,63	12,19	10,82	9,54	8,32
LBT-V2571-3Y-4T	38	Qo	46730	39326	32623	26577	21197	16482	12422
		Pe	17,01	15,74	14,49	13,29	12,11	10,98	9,88
	43	Qo	43316	36424	30145	24491	19439	15041	11232
		Pe	17,64	16,23	14,86	13,54	12,26	11,02	9,84
	48	Qo	40074	33638	27754	22443	17761	13645	10098
		Pe	18,20	16,66	15,18	13,75	12,37	11,04	9,78
LB-V2084-3Y-2T	27	Qo	54826	47050	39673	32969	26856	21384	16625
		Pe	17,22	15,57	14,06	12,63	11,29	10,03	8,84
	32	Qo	51457	43958	37070	30757	24972	19838	15354
		Pe	17,93	16,21	14,58	13,04	11,61	10,26	9,00
	43	Qo	44108	37662	31668	26134	21159	16698	12785
		Pe	19,40	17,44	15,59	13,86	12,23	10,71	9,29
LBT-V2084-3Y-4T	38	Qo	52256	44057	36620	29947	24032	18831	14374
		Pe	19,26	17,69	16,16	14,69	13,27	11,91	10,61
	43	Qo	48663	41000	34020	27774	22249	17398	13218
		Pe	20,00	18,29	16,66	15,08	13,56	12,11	10,74
	48	Qo	45262	38079	31527	25717	20538	16026	12123
		Pe	20,67	18,86	17,12	15,44	13,83	12,30	10,86
LB-V3084-3Y-4T	27	Qo	59571	50570	42393	34969	28352	22566	17593
		Pe	17,22	16,07	14,94	13,85	12,80	11,76	10,76
	32	Qo	56063	47567	39795	32726	26474	20985	16272
		Pe	18,09	16,80	15,55	14,36	13,18	12,04	10,93
	43	Qo	48420	40917	34040	27886	22375	17534	13320
		Pe	19,78	18,21	16,71	15,24	13,82	12,46	11,14
LB-Z25106-3Y-4T	27	Qo	66451	57326	48637	40664	33258	26692	20892
		Pe	22,00	19,82	17,82	15,93	14,20	12,56	11,04
	32	Qo	61889	53321	45194	37683	30799	24654	19240
		Pe	22,81	20,52	18,39	16,40	14,55	12,82	11,22
	43	Qo	52417	45065	38207	31761	25939	20728	16129
		Pe	24,46	21,91	19,52	17,31	15,25	13,33	11,57
LBT-Z25106-3Y-4T	38	Qo	61207	52172	43779	36102	29240	23201	17949
		Pe	24,67	22,45	20,36	18,39	16,51	14,74	13,09
	43	Qo	56725	48200	40450	33335	26993	21392	16555
		Pe	25,45	23,12	20,90	18,81	16,83	14,98	13,26
	48	Qo	52380	44524	37349	30795	24936	19777	15305
		Pe	26,20	23,74	21,40	19,21	17,14	15,21	13,43
LB-Z30126-3Y-4T	27	Qo	77251	66822	56991	47851	39413	31768	24977
		Pe	25,98	23,24	20,74	18,44	16,33	14,39	12,60
	32	Qo	72270	62392	53195	44500	36562	29375	22946
		Pe	26,99	24,12	21,45	19,03	16,78	14,71	12,79
	43	Qo		53058	45074	37575	30651	24401	18815
		Pe		25,78	22,81	20,07	17,54	15,20	13,04
LBT-Z30126-3Y-4T	38	Qo	72362	61867	52094	43120	34995	27751	21427
		Pe	28,71	25,96	23,39	20,99	18,74	16,63	14,65
	43	Qo	67370	57409	48251	39810	32239	25452	19526
		Pe	29,67	26,78	24,05	21,50	19,10	16,85	14,75
	48	Qo		53058	44517	36671	29563	23246	17697
		Pe		27,52	24,63	21,93	19,40	17,02	14,81

① References of performance data:

Data published are based on suction gas temperature of 20°C and 3K liquid subcooling; Frequency 50 Hz.

For calculating the performance at other conditions and 60 Hz, use Frascold Selection Software.

■ Additional cooling required.

Verify compliance with Directive 2009/125/EC Ecodesign - Regulation EU 2015/1095, refer to the manual FTEC030 or use the FSS3 selection program available from Frascold web site.

Performance R404A - R507A [50 Hz]

Condensing unit	Ambient temperature [°C]	Qo [Watt] = Cooling capacity Pe [kW] = Input power ①	Evaporating temperature [°C]									
			0	-5	-10	-15	-20	-25	-30	-35	-40	-45
LB-A075-0Y-1M	27	Qo	3846	3244	2688	2193	1752	1366	1040	770	551	376
		Pe	1,38	1,29	1,20	1,11	1,03	0,94	0,85	0,77	0,69	0,62
	32	Qo	3494	2941	2430	1972	1570	1221	922	676	477	315
		Pe	1,46	1,35	1,25	1,15	1,05	0,95	0,85	0,76	0,68	0,61
	43	Qo		2300	1889	1522	1202	925	690	494	335	
		Pe		1,47	1,34	1,21	1,08	0,96	0,85	0,76	0,67	
LB1-A075-0Y-2M	27	Qo	4084	3418	2812	2277	1807	1405	1062	782	554	376
		Pe	1,29	1,22	1,15	1,07	0,98	0,90	0,81	0,73	0,65	0,59
	32	Qo	3718	3098	2542	2052	1622	1252	941	686	478	315
		Pe	1,37	1,29	1,20	1,10	1,00	0,91	0,82	0,73	0,65	0,58
	43	Qo		2430	1982	1585	1240	950	705	503	335	
		Pe		1,41	1,29	1,16	1,04	0,93	0,82	0,72	0,64	
LBT-A075-0Y-2M	38	Qo	3607	2964	2397	1910	1487	1127	825	584	395	250
		Pe	1,60	1,51	1,42	1,32	1,22	1,12	1,02	0,92	0,84	0,77
	43	Qo		2646	2131	1691	1311	985	717	503	335	
		Pe		1,57	1,46	1,35	1,24	1,13	1,02	0,92	0,84	
	48	Qo		2344	1878	1485	1146	855	619	432		
		Pe		1,63	1,51	1,38	1,25	1,13	1,02	0,92		
LB-A106-0Y-1M	27	Qo	4200	3590	3019	2488	2003	1570	1193	875	619	421
		Pe	1,53	1,43	1,33	1,23	1,12	1,02	0,92	0,82	0,74	0,66
	32	Qo	3811	3257	2734	2248	1805	1409	1063	771	535	347
		Pe	1,61	1,49	1,38	1,26	1,15	1,04	0,93	0,83	0,74	0,66
	43	Qo	2978	2538	2123	1735	1385	1066	788	552	356	
		Pe	1,79	1,64	1,48	1,34	1,19	1,06	0,93	0,82	0,72	
LB-A106-0Y-2M	27	Qo	4481	3799	3168	2590	2073	1615	1221	892	627	421
		Pe	1,44	1,36	1,27	1,18	1,08	0,98	0,88	0,79	0,70	0,63
	32	Qo	4079	3453	2876	2347	1871	1451	1088	785	540	347
		Pe	1,52	1,42	1,32	1,21	1,11	1,00	0,89	0,79	0,70	0,62
	43	Qo	3205	2709	2243	1819	1438	1099	810	564	356	
		Pe	1,70	1,56	1,43	1,29	1,15	1,02	0,90	0,78	0,68	
LBT-A106-0Y-2M	38	Qo	3997	3338	2739	2204	1734	1323	965	670	438	262
		Pe	1,73	1,64	1,54	1,43	1,32	1,21	1,09	0,99	0,89	0,81
	43	Qo	3582	2979	2445	1956	1530	1160	833	567	356	
		Pe	1,82	1,71	1,59	1,47	1,34	1,22	1,10	0,98	0,88	
	48	Qo	3168	2633	2145	1715	1333	1000	709	471		
		Pe	1,91	1,78	1,65	1,51	1,37	1,23	1,10	0,98		
LB-A107-0Y-1M	27	Qo		4310	3671	3085	2539	2052	1614	1230	896	610
		Pe		1,97	1,80	1,64	1,48	1,33	1,19	1,05	0,91	0,77
	32	Qo		3926	3348	2800	2300	1849	1446	1087	773	501
		Pe		2,05	1,86	1,68	1,51	1,35	1,19	1,03	0,88	0,73
	43	Qo		3105	2631	2190	1782	1418	1081	777	508	
		Pe		2,20	1,98	1,76	1,56	1,36	1,16	0,98	0,79	
LB-A107-0Y-2M	27	Qo		4613	3894	3243	2655	2128	1666	1264	917	621
		Pe		1,87	1,72	1,57	1,43	1,29	1,15	1,01	0,88	0,74
	32	Qo		4211	3555	2949	2406	1922	1492	1118	793	504
		Pe		1,96	1,79	1,63	1,47	1,31	1,16	1,00	0,85	0,70
	43	Qo		3355	2810	2317	1874	1474	1119	802	518	
		Pe		2,12	1,92	1,71	1,52	1,32	1,13	0,95	0,76	
LBT-A107-0Y-2M	38	Qo		4165	3459	2830	2274	1788	1363	984	653	
		Pe		2,17	2,01	1,84	1,68	1,52	1,35	1,18	1,01	
	43	Qo		3760	3112	2537	2024	1579	1192	834	523	
		Pe		2,25	2,07	1,89	1,71	1,52	1,34	1,15	0,96	
	48	Qo		3348	2763	2240	1776	1371	1013	681		
		Pe		2,33	2,12	1,92	1,72	1,52	1,32	1,11		
LB-A157-0Y-1M	27	Qo	5768	4887	4075	3343	2696	2125	1636	1224	887	
		Pe	1,91	1,77	1,64	1,52	1,39	1,26	1,14	1,03	0,92	
	32	Qo	5302	4482	3735	3059	2460	1938	1486	1111	801	
		Pe	2,00	1,85	1,71	1,56	1,42	1,29	1,16	1,04	0,92	
	43	Qo	4295	3614	2995	2440	1958	1532	1168	867	609	
		Pe	2,17	1,99	1,82	1,65	1,49	1,33	1,19	1,05	0,93	
LB-A157-0Y-2M	27	Qo	5571	4734	3964	3261	2637	2085	1609	1205	876	
		Pe	1,88	1,73	1,59	1,46	1,33	1,20	1,08	0,96	0,85	
	32	Qo	5111	4338	3625	2981	2404	1899	1462	1094	792	
		Pe	1,96	1,81	1,65	1,51	1,36	1,22	1,09	0,97	0,85	
	43	Qo	4110	3474	2891	2365	1902	1491	1144	849	602	
		Pe	2,13	1,94	1,76	1,59	1,42	1,26	1,12	0,98	0,86	
LBT-A157-0Y-2M	38	Qo	5140	4292	3531	2862	2280	1777	1352	993	701	
		Pe	2,16	2,01	1,87	1,72	1,58	1,44	1,30	1,17	1,06	
	43	Qo	4662	3877	3188	2576	2045	1588	1208	876	609	
		Pe	2,24	2,08	1,92	1,76	1,61	1,46	1,31	1,18	1,06	
	48	Qo	4181	3466	2837	2283	1805	1394	1049	747		
		Pe	2,32	2,14	1,97	1,80	1,63	1,47	1,32	1,18		

① For performance data references see page 27.

■ Additional cooling required.

Performance R404A - R507A [50 Hz]

Condensing unit	Ambient temperature [°C]	Qo [Watt] = Cooling capacity Pe [kW] = Input power ①	Evaporating temperature [°C]									
			0	-5	-10	-15	-20	-25	-30	-35	-40	-45
LB-B159-0Y-1M	27	Qo	5875	5095	4361	3679	3046	2478	1976	1549	1190	899
		Pe	2,88	2,59	2,33	2,09	1,88	1,68	1,50	1,34	1,20	1,08
	32	Qo	5349	4640	3976	3350	2773	2259	1802	1413	1085	815
		Pe	2,98	2,68	2,41	2,16	1,93	1,72	1,54	1,37	1,23	1,10
	43	Qo			3105	2613	2172	1772	1418	1116	856	
		Pe			2,54	2,27	2,02	1,79	1,59	1,41	1,26	
LB-B159-0Y-2M	27	Qo	6456	5542	4683	3908	3203	2580	2041	1588	1216	914
		Pe	2,72	2,46	2,23	2,01	1,81	1,62	1,45	1,30	1,16	1,05
	32	Qo	5915	5059	4286	3568	2924	2356	1868	1452	1107	829
		Pe	2,84	2,57	2,31	2,08	1,87	1,67	1,49	1,33	1,19	1,07
	43	Qo	4677	4002	3381	2811	2309	1858	1477	1147	876	
		Pe	3,06	2,75	2,47	2,21	1,97	1,75	1,55	1,37	1,22	
LBT-B159-0Y-2M	38	Qo	6100	5129	4257	3486	2812	2236	1751	1348	1014	742
		Pe	3,00	2,75	2,52	2,30	2,09	1,89	1,71	1,55	1,40	1,29
	43	Qo	5515	4620	3829	3129	2525	2006	1570	1210	907	
		Pe	3,12	2,85	2,60	2,36	2,14	1,93	1,74	1,57	1,42	
	48	Qo	4923	4110	3398	2769	2235	1772	1390	1072		
		Pe	3,22	2,94	2,67	2,41	2,18	1,96	1,76	1,58		
LB-B210-0Y-1M	27	Qo	7200	6202	5268	4400	3616	2910	2291	1756	1307	
		Pe	3,04	2,81	2,58	2,36	2,15	1,95	1,75	1,57	1,40	
	32	Qo	6624	5699	4836	4047	3321	2675	2101	1607	1188	
		Pe	3,18	2,93	2,68	2,44	2,21	1,99	1,78	1,59	1,42	
	43	Qo	5372	4628	3940	3295	2718	2191	1722	1314		
		Pe	3,48	3,18	2,88	2,60	2,34	2,09	1,86	1,66		
LB-B210-0Y-2M	27	Qo	6887	5956	5092	4273	3523	2843	2244	1726	1286	
		Pe	3,05	2,80	2,55	2,32	2,10	1,89	1,69	1,50	1,33	
	32	Qo	6303	5473	4673	3919	3234	2613	2060	1579	1169	
		Pe	3,19	2,91	2,65	2,40	2,16	1,93	1,72	1,53	1,35	
	43	Qo		4415	3779	3184	2634	2134	1685	1291		
		Pe		3,16	2,85	2,56	2,29	2,03	1,80	1,59		
LBT-B210-0Y-2M	38	Qo	6579	5594	4691	3874	3150	2511	1957	1482	1083	
		Pe	3,32	3,08	2,84	2,61	2,38	2,15	1,94	1,75	1,57	
	43	Qo	5984	5084	4268	3522	2866	2290	1785	1352		
		Pe	3,46	3,20	2,94	2,68	2,43	2,20	1,98	1,78		
	48	Qo	5408	4591	3848	3186	2595	2077	1623			
		Pe	3,60	3,31	3,03	2,76	2,49	2,25	2,02			
LB-D211-0Y-1M	27	Qo	8127	7061	6026	5068	4185	3381	2664	2040	1508	
		Pe	3,39	3,11	2,84	2,58	2,33	2,10	1,87	1,66	1,47	
	32	Qo	7414	6433	5502	4631	3816	3082	2422	1837	1333	
		Pe	3,54	3,24	2,94	2,67	2,40	2,15	1,91	1,69	1,49	
	43	Qo		5093	4354	3656	3012	2422	1880	1387		
		Pe		3,47	3,14	2,82	2,52	2,24	1,98	1,74		
LB-D211-0Y-2M	27	Qo	9153	7810	6581	5454	4449	3559	2783	2115	1558	
		Pe	3,29	3,07	2,85	2,63	2,41	2,19	1,98	1,78	1,59	
	32	Qo	8394	7159	6032	5005	4076	3256	2535	1912	1380	
		Pe	3,46	3,22	2,97	2,72	2,48	2,25	2,02	1,81	1,62	
	43	Qo	6736	5737	4825	3998	3253	2581	1979	1453		
		Pe	3,80	3,49	3,20	2,90	2,62	2,35	2,10	1,87		
LBT-D211-0Y-2M	38	Qo	7864	6670	5584	4606	3729	2955	2278	1694	1170	
		Pe	3,65	3,39	3,13	2,87	2,62	2,37	2,13	1,91	1,71	
	43	Qo	7087	6020	5027	4145	3343	2641	2029	1485		
		Pe	3,80	3,51	3,23	2,95	2,68	2,41	2,16	1,93		
	48	Qo	6329	5357	4471	3677	2964	2331	1770			
		Pe	3,94	3,63	3,32	3,02	2,73	2,45	2,19			
LB-D213-0Y-1M	27	Qo		7953	6855	5806	4837	3956	3159	2463	1866	1368
		Pe		3,83	3,46	3,12	2,80	2,49	2,21	1,93	1,68	1,45
	32	Qo		7306	6298	5337	4450	3634	2902	2259	1705	1243
		Pe		4,05	3,64	3,27	2,91	2,58	2,27	1,99	1,72	1,48
	43	Qo			5096	4333	3609	2956	2363	1840	1390	
		Pe			4,10	3,65	3,23	2,83	2,47	2,14	1,84	
LB-D213-0Y-2M	27	Qo		8888	7538	6301	5183	4187	3312	2559	1925	1402
		Pe		3,67	3,39	3,11	2,83	2,56	2,30	2,04	1,80	1,58
	32	Qo		8197	6949	5802	4773	3852	3042	2348	1757	1273
		Pe		3,88	3,56	3,25	2,95	2,65	2,37	2,09	1,84	1,60
	43	Qo			5685	4751	3905	3150	2491	1916	1433	
		Pe			3,99	3,61	3,24	2,88	2,55	2,24	1,95	
LBT-D213-0Y-2M	38	Qo		7733	6510	5406	4417	3550	2790	2141	1597	
		Pe		4,10	3,77	3,44	3,12	2,81	2,51	2,22	1,95	
	43	Qo		7050	5932	4927	4025	3227	2537	1952	1454	
		Pe		4,34	3,97	3,61	3,26	2,92	2,60	2,29	2,01	
	48	Qo			5374	4451	3637	2921	2301	1769	-	
		Pe			4,19	3,80	3,41	3,05	2,70	2,38	-	

① For performance data references see page 27.

■ Additional cooling required.

Performance R404A - R507A [50 Hz]

Condensing unit	Ambient temperature [°C]	Qo [Watt] = Cooling capacity Pe [kW] = Input power ①	Evaporating temperature [°C]									
			0	-5	-10	-15	-20	-25	-30	-35	-40	-45
LB-D313-0Y-1M	27	Qo	9060	7915	6804	5761	4764	3843	3002			
		Pe	4,08	3,70	3,35	3,01	2,71	2,41	2,14			
	32	Qo	8275	7244	6240	5276	4364	3509	2719			
		Pe	4,30	3,88	3,49	3,13	2,79	2,48	2,19			
	43	Qo			5032	4276	3538					
		Pe			3,87	3,43	3,04					
LB-D313-0Y-2M	27	Qo	10340	8865	7511	6259	5110	4082	3164			
		Pe	3,88	3,59	3,31	3,03	2,77	2,50	2,25			
	32	Qo	9493	8158	6900	5746	4689	3727	2864			
		Pe	4,10	3,77	3,45	3,15	2,85	2,57	2,29			
	43	Qo	7683	6619	5611	4684	3816	3009	2272			
		Pe	4,61	4,20	3,81	3,43	3,07	2,74	2,43			
LBT-D313-0Y-2T	38	Qo	9708	8192	6827	5599	4496	3524	2660			
		Pe	4,34	4,06	3,77	3,48	3,19	2,91	2,63			
	43	Qo	8821	7453	6215	5089	4089	3192	2382			
		Pe	4,58	4,26	3,93	3,61	3,29	2,99	2,69			
	48	Qo	7967	6731	5607	4602	3691	2872				
		Pe	4,82	4,46	4,11	3,75	3,41	3,08				
LB-D316-0Y-1M	27	Qo		9021	7856	6754	5684	4668	3744	2902	2157	1512
		Pe		5,22	4,61	4,06	3,56	3,10	2,68	2,30	1,93	1,59
	32	Qo		8226	7177	6164	5181	4255	3392	2613	1915	1306
		Pe		5,47	4,81	4,22	3,68	3,19	2,74	2,32	1,94	1,57
	43	Qo				4902	4113	3362	2652	1997	1407	
		Pe				4,56	3,94	3,37	2,85	2,37	1,92	
LB-D316-0Y-2M	27	Qo		10363	8878	7491	6212	5040	3990	3065	2259	1575
		Pe		4,93	4,44	3,98	3,55	3,15	2,77	2,41	2,06	1,73
	32	Qo		9531	8154	6871	5681	4599	3629	2765	2010	1363
		Pe		5,19	4,65	4,15	3,69	3,25	2,83	2,44	2,07	1,71
	43	Qo		7720	6591	5532	4560	3666	2854	2129	1479	
		Pe		5,76	5,12	4,52	3,96	3,44	2,95	2,49	2,05	
LBT-D316-0Y-2T	38	Qo		9826	8254	6823	5541	4409	3413	2546	1775	1117
		Pe		5,40	4,92	4,47	4,02	3,59	3,17	2,76	2,36	1,98
	43	Qo		8958	7488	6178	5017	3967	3052	2252	1525	
		Pe		5,67	5,15	4,65	4,15	3,68	3,22	2,78	2,36	
	48	Qo		8083	6753	5559	4485	3534	2692	1958		
		Pe		5,94	5,37	4,81	4,28	3,77	3,27	2,80		
LB-D416-0Y-1M	27	Qo	10517	9309	8124	6934	5812	4742	3758			
		Pe	5,61	5,07	4,55	4,07	3,60	3,17	2,76			
	32	Qo	9600	8516	7429	6374	5335	4351	3438			
		Pe	5,79	5,24	4,71	4,20	3,71	3,26	2,83			
	43	Qo				5160	4332	3537	2772			
		Pe				4,39	3,87	3,38	2,91			
LB-D416-0Y-2M	27	Qo	13129	11276	9547	7955	6519	5227	4090			
		Pe	5,15	4,76	4,37	3,99	3,62	3,25	2,89			
	32	Qo	12102	10394	8823	7352	6019	4814	3743			
		Pe	5,43	5,00	4,58	4,16	3,75	3,35	2,97			
	43	Qo	9860	8511	7233	6048	4948	3944	3032			
		Pe	5,94	5,44	4,94	4,46	3,99	3,53	3,09			
LBT-D416-0Y-2T	38	Qo	12006	10193	8540	7039	5700	4515	3459			
		Pe	5,68	5,29	4,88	4,47	4,06	3,65	3,25			
	43	Qo	10932	9297	7790	6429	5205	4111	3129			
		Pe	5,94	5,50	5,06	4,61	4,17	3,73	3,31			
	48	Qo	9875	8403	7040	5820	4712	3716	2824			
		Pe	6,17	5,69	5,21	4,73	4,26	3,79	3,34			
LB-D318-0Y-1M	27	Qo			8375	7276	6221	5211	4274	3423	2663	2009
		Pe			5,24	4,62	4,07	3,58	3,13	2,72	2,36	2,04
	32	Qo			7648	6668	5707	4780	3924	3135	2436	1822
		Pe			5,44	4,78	4,19	3,66	3,18	2,75	2,37	2,04
	43	Qo					4584	3859	3177	2540		
		Pe					4,46	3,85	3,31	2,83		
LB-D318-0Y-2M	27	Qo			9557	8145	6830	5641	4566	3613	2788	2085
		Pe			5,03	4,52	4,06	3,62	3,21	2,83	2,48	2,16
	32	Qo			8789	7491	6292	5185	4193	3312	2547	1893
		Pe			5,25	4,70	4,19	3,71	3,27	2,86	2,50	2,17
	43	Qo			7124	6080	5119	4226	3416	2696	2054	
		Pe			5,73	5,07	4,46	3,90	3,40	2,94	2,54	
LBT-D318-0Y-2M	38	Qo			8322	7031	5872	4816	3871	3039	2318	
		Pe			5,45	4,89	4,35	3,85	3,39	2,97	2,58	
	43	Qo			7551	6386	5329	4370	3517	2760	2095	
		Pe			5,67	5,06	4,48	3,94	3,45	3,00	2,61	
	48	Qo			6804	5754	4806	3941	3173			
		Pe			5,89	5,23	4,60	4,03	3,51			

① For performance data references see page 27.

■ Additional cooling required.

Performance R404A - R507A [50 Hz]

Condensing unit	Ambient temperature [°C]	Qo [Watt] = Cooling capacity Pe [kW] = Input power ①	Evaporating temperature [°C]									
			0	-5	-10	-15	-20	-25	-30	-35	-40	-45
			LB-Q420-0Y-2M	27	Qo		12548	10660	8942	7366	5961	4721
Pe		5,22			4,70	4,22	3,78	3,37	2,99	2,65	2,32	2,03
32	Qo			11618	9851	8248	6781	5468	4318	3322	2476	1774
	Pe			5,47	4,91	4,39	3,91	3,47	3,05	2,68	2,33	2,02
43	Qo			9547	8069	6716	5492	4389	3428	2595	1882	
	Pe			5,98	5,32	4,70	4,14	3,62	3,14	2,70	2,31	
LBT-Q420-0Y-2M	38	Qo		11488	9612	7932	6441	5128	3988	3018	2200	1508
		Pe		5,74	5,20	4,69	4,21	3,75	3,32	2,92	2,56	2,23
	43	Qo		10520	8771	7212	5836	4623	3579	2685	1922	
		Pe		5,98	5,40	4,84	4,31	3,82	3,36	2,93	2,54	
	48	Qo		9544	7933	6494	5222	4119	3166	2354		
		Pe		6,21	5,58	4,97	4,41	3,88	3,38	2,93		
LB-Q521-0Y-2T	27	Qo	17087	14635	12327	10184	8245	6488	4914			
		Pe	5,63	5,31	4,96	4,58	4,17	3,73	3,26			
	32	Qo	15674	13419	11279	9319	7513	5881	4407			
		Pe	5,92	5,56	5,17	4,74	4,28	3,80	3,29			
	43	Qo	12567	10732	9005	7393	5912	4533	3282			
		Pe	6,44	6,00	5,51	4,99	4,43	3,85	3,24			
LBT-Q521-0Y-2T	38	Qo	15303	12919	10739	8758	6970	5359	3926			
		Pe	6,86	6,52	6,13	5,70	5,22	4,70	4,16			
	43	Qo	13816	11639	9661	7850	6203	4726	3383			
		Pe	7,12	6,74	6,30	5,81	5,29	4,72	4,12			
	48	Qo	12341	10378	8592	6955	5472	4110				
		Pe	7,35	6,91	6,43	5,89	5,32	4,71				
LB-Q424-0Y-2M	27	Qo		14190	12211	10337	8589	6983	5526	4230	3110	2164
		Pe		6,41	5,75	5,14	4,57	4,04	3,55	3,09	2,67	2,27
	32	Qo		12938	11140	9436	7832	6347	5006	3802	2755	1860
		Pe		6,69	5,98	5,32	4,71	4,15	3,62	3,13	2,68	2,27
	43	Qo		10331	8874	7502	6204	4982	3884	2885	1989	
		Pe		7,22	6,41	5,66	4,96	4,32	3,72	3,17	2,67	
LBT-Q424-0Y-2M	38	Qo		13002	10985	9158	7476	5966	4625	3443	2424	1504
		Pe		6,90	6,24	5,60	5,00	4,43	3,89	3,39	2,91	2,48
	43	Qo		11718	9900	8234	6705	5331	4107	3018	2059	
		Pe		7,17	6,45	5,77	5,12	4,51	3,94	3,40	2,90	
	48	Qo		10468	8831	7321	5941	4700	3582	2590		
		Pe		7,42	6,65	5,92	5,23	4,58	3,97	3,41		
LB-Q524-0Y-2M	27	Qo	16587	14481	12412	10444	8610	6935	5428			
		Pe	6,99	6,34	5,73	5,15	4,60	4,08	3,58			
	32	Qo	15132	13201	11326	9536	7859	6305	4904			
		Pe	7,29	6,61	5,96	5,33	4,74	4,18	3,65			
	43	Qo		10400	8964	7561	6230	4969	3803			
		Pe		7,14	6,39	5,68	5,01	4,37	3,76			
LBT-Q524-0Y-2M	38	Qo	15467	13243	11169	9258	7506	5928	4524			
		Pe	7,45	6,83	6,22	5,62	5,04	4,47	3,93			
	43	Qo	13898	11894	10032	8315	6729	5307	4015			
		Pe	7,77	7,09	6,43	5,79	5,16	4,56	3,98			
	48	Qo		10551	8918	7379	5983	4689				
		Pe		7,34	6,63	5,94	5,27	4,63				
LB-Q528-0Y-2M	27	Qo		16136	14014	11978	10055	8268	6617	5154	3860	2757
		Pe		7,86	7,06	6,32	5,62	4,96	4,35	3,76	3,21	2,68
	32	Qo		14760	12826	10939	9190	7538	6030	4670	3462	2422
		Pe		8,14	7,30	6,52	5,78	5,08	4,43	3,81	3,22	2,66
	43	Qo			10210	8720	7317	5979	4751	3628	2614	
		Pe			7,74	6,87	6,04	5,26	4,52	3,83	3,17	
LBT-Q528-0Y-2M	38	Qo		15111	12864	10819	8922	7199	5662	4307	3123	2097
		Pe		8,30	7,52	6,77	6,05	5,36	4,69	4,05	3,44	2,85
	43	Qo		13625	11624	9732	8028	6470	5065	3823	2734	
		Pe		8,58	7,75	6,95	6,18	5,45	4,74	4,06	3,41	
	48	Qo			10378	8682	7141	5739	4474	3349		
		Pe			7,95	7,10	6,29	5,51	4,76	4,05		
LB-Q728-0Y-2T	27	Qo	21708	18733	15984	13388	11033	8897	7013			
		Pe	8,22	7,57	6,94	6,36	5,79	5,24	4,69			
	32	Qo	19913	17228	14699	12314	10145	8182	6419			
		Pe	8,62	7,90	7,23	6,59	5,97	5,37	4,78			
	43	Qo	16030	13853	11846	9930	8186	6571	5102			
		Pe	9,46	8,63	7,82	7,07	6,34	5,63	4,94			
LBT-Q728-0Y-2T	38	Qo	20022	17035	14327	11859	9656	7694	5951			
		Pe	9,46	8,81	8,18	7,56	6,94	6,32	5,71			
	43	Qo	18143	15440	12979	10729	8728	6938	5342			
		Pe	9,87	9,16	8,46	7,78	7,11	6,44	5,78			
	48	Qo	16270	13818	11618	9610	7802	6178				
		Pe	10,28	9,50	8,74	8,00	7,27	6,56				

① For performance data references see page 27.

■ Additional cooling required.

Performance R404A - R507A [50 Hz]

Condensing unit	Ambient temperature [°C]	Qo [Watt] = Cooling capacity Pe [kW] = Input power ①	Evaporating temperature [°C]									
			0	-5	-10	-15	-20	-25	-30	-35	-40	-45
LB-Q533-0Y-2M	27	Qo				13433	11405	9514	7763	6162	4743	3496
		Pe				7,75	6,78	5,90	5,12	4,42	3,81	3,28
	32	Qo				12284	10448	8719	7105	5635	4309	3137
		Pe				8,05	7,00	6,06	5,22	4,48	3,84	3,29
	43	Qo								5755	4541	3431
		Pe								5,44	4,61	3,90
LBT-Q533-0Y-2M	38	Qo				12346	10309	8454	6785	5298	3989	2835
		Pe				8,27	7,27	6,34	5,50	4,75	4,09	3,53
	43	Qo				11199	9355	7672	6162	4796	3580	
		Pe				8,58	7,49	6,50	5,60	4,81	4,12	
	48	Qo										
		Pe										
LB-Q733-0Y-2T	27	Qo	24686	21373	18245	15339	12685	10291	8176			
		Pe	9,62	8,80	8,02	7,27	6,55	5,90	5,30			
	32	Qo	22644	19635	16789	14118	11670	9449	7470			
		Pe	10,05	9,17	8,31	7,50	6,74	6,03	5,40			
	43	Qo	18108	15763	13509	11398	9418	7582	5913			
		Pe	11,05	10,00	8,99	8,04	7,15	6,34	5,62			
LBT-Q733-0Y-2T	38	Qo	22448	19206	16205	13476	11020	8830	6888			
		Pe	10,96	10,12	9,30	8,50	7,72	7,00	6,35			
	43	Qo	20286	17365	14650	12207	9973	7951	6163			
		Pe	11,43	10,51	9,62	8,74	7,91	7,15	6,45			
	48	Qo	18108	15534	13117	10917	8904	7097				
		Pe	11,92	10,92	9,95	9,01	8,13	7,31				
LB-Q736-0Y-2T	27	Qo		23455	20148	17061	14216	11631	9300	7239	5468	3959
		Pe		10,25	9,24	8,30	7,43	6,61	5,84	5,12	4,45	3,82
	32	Qo		21504	18475	15605	12988	10593	8436	6535	4876	3459
		Pe		10,67	9,59	8,58	7,64	6,76	5,93	5,16	4,44	3,77
	43	Qo		17284	14802	12477	10325	8355	6592	5014	3618	
		Pe		11,47	10,23	9,07	7,99	6,98	6,03	5,15	4,33	
LBT-Q736-0Y-2T	38	Qo		21230	17962	14988	12306	9901	7780	5929	4326	2922
		Pe		11,60	10,56	9,56	8,61	7,71	6,85	6,04	5,28	4,57
	43	Qo		19199	16232	13508	11061	8861	6922	5229	3749	
		Pe		12,00	10,87	9,80	8,78	7,81	6,89	6,03	5,22	
	48	Qo		17210	14518	12040	9825	7841	6081	4530		
		Pe		12,36	11,15	10,00	8,91	7,88	6,90	5,99		
LB-S842-3Y-2T	27	Qo		25097	21845	18702	15714	12919	10362	8017	5932	4114
		Pe		11,37	10,24	9,17	8,16	7,20	6,29	5,43	4,61	3,83
	32	Qo		22778	19879	17063	14347	11794	9428	7253	5293	3539
		Pe		11,73	10,54	9,41	8,35	7,34	6,37	5,46	4,59	3,77
	43	Qo			15621	13418	11306	9273	7361	5559	3897	
		Pe			11,02	9,79	8,61	7,50	6,43	5,42	4,46	
LBT-S842-3Y-2T	38	Qo		23544	20107	16918	13984	11293	8873	6687	4733	2953
		Pe		12,49	11,38	10,30	9,26	8,25	7,28	6,33	5,42	4,55
	43	Qo		21117	18020	15155	12519	10085	7877	5894	4082	
		Pe		12,82	11,64	10,51	9,40	8,33	7,30	6,31	5,35	
	48	Qo		18692	15930	13387	11051	8893	6923	5111		
		Pe		13,09	11,86	10,66	9,50	8,37	7,29	6,25		
LB-S1242-3Y-2T	27	Qo	32328	27673	23331	19367	15817	12637	9854			
		Pe	11,57	10,64	9,75	8,89	8,06	7,26	6,49			
	32	Qo	29718	25400	21386	17728	14411	11468	8879			
		Pe	12,09	11,07	10,09	9,15	8,24	7,37	6,54			
	43	Qo	24095	20475	17133	14115	11386	8973	6826			
		Pe	13,05	11,84	10,69	9,57	8,51	7,51	6,55			
LBT-S1242-3Y-2T	38	Qo	27494	23313	19527	16081	12984	10252	7860			
		Pe	12,49	11,42	10,37	9,36	8,39	7,46	6,57			
	43	Qo	24895	21072	17602	14443	11603	9106	6934			
		Pe	12,93	11,76	10,63	9,54	8,50	7,50	6,56			
	48	Qo	22379	18876	15689	12814	10269					
		Pe	13,31	12,05	10,85	9,68	8,57					
LB-S1052-3Y-2T	27	Qo		29722	25851	22208	18817	15728	12897	10310	7907	5658
		Pe		14,86	13,26	11,76	10,35	9,03	7,81	6,70	5,72	4,89
	32	Qo			23757	20422	17319	14484	11850	9407	7130	4945
		Pe			13,82	12,23	10,74	9,33	8,04	6,87	5,83	4,95
	43	Qo				16495	13980	11640	9437	7346	5289	
		Pe				13,05	11,39	9,83	8,40	7,10	5,97	
LBT-S1052-3Y-2T	38	Qo		28821	24526	20661	17230	14146	11397	8882	6537	4294
		Pe		15,98	14,49	13,04	11,63	10,27	8,99	7,82	6,76	5,86
	43	Qo			22350	18783	15659	12817	10255	7897	5677	
		Pe			15,03	13,48	11,97	10,53	9,17	7,93	6,82	
	48	Qo			20165	16940	14065	11454	9103			
		Pe			15,50	13,84	12,24	10,72	9,29			

① For performance data references see page 27.

■ Additional cooling required.

Performance R404A - R507A [50 Hz]

Condensing unit	Ambient temperature [°C]	Qo [Watt] = Cooling capacity Pe [kW] = Input power ①	Evaporating temperature [°C]									
			0	-5	-10	-15	-20	-25	-30	-35	-40	-45
LB-S1552-3Y-2T	27	Qo	39385	34146	29303	24820	20679	16911	13492	10385	7555	
		Pe	15,35	14,07	12,82	11,63	10,50	9,43	8,42	7,49	6,65	
	32	Qo	36226	31497	27070	22926	19100	15557	12312	9301	6472	
		Pe	16,14	14,74	13,39	12,11	10,89	9,74	8,67	7,68	6,81	
	43	Qo		25719	22146	18753	15595	12538	9635			
		Pe		15,93	14,39	12,93	11,54	10,25	9,06			
LBT-S1552-3Y-2T	38	Qo	33814	29307	25066	21174	17553	14198	11065	8100	5265	
		Pe	16,68	15,24	13,85	12,50	11,22	10,01	8,88	7,86	6,96	
	43	Qo	30713	26600	22838	19254	15950	12813	9831			
		Pe	17,31	15,77	14,28	12,85	11,49	10,22	9,04			
	48	Qo			20557							
		Pe			14,62							
LB-S1556-3Y-2T	27	Qo		36571	31332	26540	22194	18278	14782	11650	8815	6212
		Pe		15,78	14,33	12,93	11,60	10,33	9,13	8,03	7,03	6,16
	32	Qo		33771	28951	24488	20476	16853	13582	10639	7924	5373
		Pe		16,50	14,93	13,43	12,00	10,63	9,35	8,16	7,10	6,18
	43	Qo		27581	23577	19901	16606	13601	10836	8252	5816	
		Pe		17,83	16,04	14,32	12,67	11,11	9,66	8,33	7,15	
LBT-S1556-3Y-2T	38	Qo		31503	26806	22604	18824	15405	12332	9520	6906	4421
		Pe		17,03	15,42	13,84	12,32	10,88	9,52	8,27	7,15	6,18
	43	Qo		28658	24346	20508	17044	13907	11043	8430	5936	
		Pe		17,63	15,91	14,23	12,61	11,08	9,64	8,32	7,15	
	48	Qo				18363	15212	12358	9712			
		Pe				14,54	12,84	11,22	9,71			
LB-S2056-3Y-2T	27	Qo	43671	37882	32483	27495	22927	18749	14988	11578	8464	
		Pe	16,76	15,31	13,93	12,60	11,34	10,15	9,05	8,04	7,16	
	32	Qo	40282	34952	30057	25442	21190	17305	13710	10386	7275	
		Pe	17,52	15,98	14,48	13,06	11,72	10,45	9,29	8,25	7,35	
	43	Qo	32915	28679	24662	20903	17368	14021	10792			
		Pe	18,84	17,09	15,42	13,83	12,34	10,96	9,73			
LBT-S2056-3Y-4T	38	Qo	40195	34491	29291	24512	20199	16285	12665	9298	6065	
		Pe	19,04	17,57	16,14	14,75	13,41	12,14	10,97	9,93	9,04	
	43	Qo	36709	31514	26728	22413	18422	14741	11296	8029		
		Pe	19,72	18,14	16,61	15,12	13,70	12,38	11,17	10,10		
	48	Qo	33214	28514	24235	20280	16630					
		Pe	20,30	18,61	16,97	15,40	13,92					
LB-V2059-3Y-2T	27	Qo	44404	38276	32477	27122	22279	17873	14017	10638	7772	
		Pe	16,94	15,54	14,21	12,93	11,70	10,52	9,39	8,32	7,32	
	32	Qo	40668	34972	29653	24780	20269	16221	12620	9486	6782	
		Pe	17,66	16,17	14,73	13,34	12,01	10,74	9,53	8,39	7,32	
	43	Qo	32398	27867	23537	19566	15911	12620	9654			
		Pe	18,98	17,24	15,58	13,98	12,45	11,00	9,63			
LBT-V2059-3Y-4T	38	Qo	40588	34433	28784	23657	19084	15046	11517	8435	5768	
		Pe	19,18	17,76	16,37	15,01	13,66	12,36	11,10	9,90	8,78	
	43	Qo	36682	31031	25845	21239	17042	13377	10134	7291		
		Pe	19,84	18,31	16,80	15,31	13,87	12,47	11,13	9,86		
	48	Qo	32725	27631	22941	18751	14996					
		Pe	20,43	18,77	17,14	15,55	14,00					
LB-V1571-3Y-2T	27	Qo			31546	27458	23613	19940	16500	13219	10107	7103
		Pe			19,10	16,78	14,59	12,57	10,72	9,06	7,61	6,40
	32	Qo				25109	21578	18252	15036	11978	9009	6086
		Pe				17,23	14,96	12,84	10,91	9,17	7,64	6,37
	43	Qo							11809			
		Pe							11,03			
LBT-V1571-3Y-2T	38	Qo			31038	26389	22149	18295	14759	11478	8339	5280
		Pe			20,08	17,87	15,74	13,71	11,81	10,06	8,50	7,18
	43	Qo				23908	20069	16510	13240	10138	7133	
		Pe				18,30	16,04	13,91	11,90	10,06	8,43	
	48	Qo					17950	14712				
		Pe					16,24	14,00				
LB-V2571-3Y-2T	27	Qo	50089	43546	37318	31378	25960	21016	16622	12744	9435	
		Pe	20,88	19,06	17,31	15,64	14,03	12,50	11,04	9,67	8,40	
	32	Qo	45780	39813	34037	28642	23670	19122	15013	11408	8273	
		Pe	21,54	19,63	17,80	16,03	14,34	12,72	11,19	9,76	8,42	
	43	Qo		31721	27139	22751	18713	14985				
		Pe		20,64	18,61	16,66	14,79	13,01				
LBT-V2571-3Y-4T	38	Qo	46670	39854	33507	27749	22574	17947	13855	10288	7194	
		Pe	22,91	21,12	19,37	17,64	15,96	14,33	12,77	11,29	9,91	
	43	Qo	42170	35906	30188	24946	20194	16006	12264	8940		
		Pe	23,55	21,65	19,79	17,96	16,18	14,47	12,83	11,28		
	48	Qo		32056	26860	22175						
		Pe		22,11	20,14	18,21						

① For performance data references see page 27.

■ Additional cooling required.

Performance R404A - R507A [50 Hz]

Condensing unit	Ambient temperature [°C]	Qo [Watt] = Cooling capacity Pe [kW] = Input power ①	Evaporating temperature [°C]									
			0	-5	-10	-15	-20	-25	-30	-35	-40	-45
LB-V2084-3Y-2T	27	Qo		47394	41561	35672	30112	24810	19914	15474	11559	8209
		Pe		23,65	21,20	18,92	16,78	14,79	12,94	11,21	9,62	8,15
	32	Qo		42872	37614	32426	27408	22651	18182	14156	10554	7446
		Pe		24,30	21,77	19,39	17,16	15,08	13,14	11,33	9,65	8,12
	43	Qo			29034	25182	21391	17792	14425	11294	8443	
		Pe			22,62	20,08	17,68	15,44	13,34	11,40	9,62	
LBT-V2084-3Y-4T	38	Qo		43695	37614	31841	26451	21527	17092	13155	9702	6726
		Pe		25,69	23,27	20,96	18,77	16,69	14,73	12,88	11,16	9,58
	43	Qo		38849	33410	28321	23610	19250	15357	11825	8746	
		Pe		26,27	23,75	21,34	19,04	16,87	14,82	12,90	11,13	
	48	Qo			29228	24817	20751	16998	13584			
		Pe			24,10	21,60	19,21	16,96	14,85			
LB-V3084-3Y-4T	27	Qo	65204	56201	47789	40029	32920	26561	20962	16094	11970	
		Pe	25,09	23,20	21,35	19,54	17,78	16,07	14,40	12,80	11,30	
	32	Qo	59910	51674	43861	36675	30148	24263	19072	14540	10668	
		Pe	26,22	24,12	22,11	20,14	18,23	16,38	14,61	12,92	11,35	
	43	Qo	48424	41709	35336	29512	24175	19390	15102			
		Pe	28,71	26,18	23,78	21,44	19,21	17,08	15,07			
LB-Z25106-3Y-4T	27	Qo		60566	52876	45212	37847	30975	24650	18973	13990	9777
		Pe		30,64	27,24	24,13	21,26	18,59	16,11	13,83	11,74	9,85
	32	Qo		55292	48112	41157	34419	28178	22382	17166	12548	8635
		Pe		31,74	28,18	24,88	21,83	18,99	16,37	13,98	11,80	9,86
	43	Qo				32371	27184	22205	17589	13396	9640	
		Pe				26,28	22,85	19,69	16,81	14,19	11,88	
LBT-Z25106-3Y-4T	38	Qo		54494	46737	39452	32687	26348	20694	15635	11267	7543
		Pe		33,64	30,18	26,91	23,83	20,96	18,28	15,82	13,58	11,60
	43	Qo			41923	35348	29268	23592	18456	13925	9935	
		Pe			31,04	27,57	24,31	21,28	18,48	15,91	13,61	
	48	Qo					25870	20841	16300			
		Pe					24,75	21,57	18,64			
LB-Z30126-3Y-4T	27	Qo		65337	57487	49684	42089	34854	28072	21849	16374	11631
		Pe		34,23	30,42	26,91	23,66	20,65	17,87	15,31	12,94	10,77
	32	Qo			52247	45194	38261	31659	25459	19752	14671	10273
		Pe			31,34	27,65	24,24	21,08	18,16	15,47	13,01	10,77
	43	Qo					29924	24786	19846	15306	11164	
		Pe					25,40	21,91	18,71	15,78	13,13	
LBT-Z30126-3Y-4T	38	Qo			51210	43647	36517	29805	23620	18090	13191	8957
		Pe			33,26	29,63	26,23	23,05	20,08	17,33	14,80	12,51
	43	Qo			45660	38990	32530	26552	21032	16027	11598	
		Pe			34,19	30,35	26,78	23,44	20,33	17,47	14,85	
	48	Qo					28636	23401				
		Pe					27,31	23,81				

① References of performance data:

Data published are based on suction gas temperature of 20°C and 3K liquid subcooling; Frequency 50 Hz.
Data valid for R404A; for R507A there are slight variations, consult Frascold Selection Software
For calculating the performance at other conditions and 60 Hz, use Frascold Selection Software.

■ Additional cooling required.

Verify compliance with Directive 2009/125/EC Ecodesign - Regulation EU 2015/1095, refer to the manual FTEC030 or use the FSS3 selection program available from Frascold web site.

Performance R407F - R407A [50 Hz]

Condensing unit	Ambient temperature [°C]	Qo [Watt] = Cooling capacity Pe [kW] = Input power ①	Evaporating temperature [°C]								
			0	-5	-10	-15	-20	-25	-30	-35	-40
LB-A075-0Y-1M	27	Qo	3876	3220	2639	2125	1679	1296	961	673	418
		Pe	1,38	1,27	1,15	1,03	0,92	0,81	0,70	0,60	0,52
	32	Qo	3614	2986	2433	1951	1532	1170	857	583	342
		Pe	1,44	1,32	1,19	1,06	0,93	0,81	0,70	0,59	0,50
	43	Qo	3037	2484	1993	1570	1209	898	630	394	
		Pe	1,54	1,39	1,24	1,09	0,94	0,80	0,67	0,55	
LB1-A075-0Y-2M	27	Qo	3965	3284	2684	2157	1704	1309	972	679	420
		Pe	1,33	1,22	1,10	0,99	0,88	0,77	0,66	0,57	0,48
	32	Qo	3695	3046	2476	1982	1551	1183	866	588	344
		Pe	1,39	1,27	1,15	1,02	0,90	0,78	0,66	0,56	0,46
	43	Qo	3110	2532	2031	1599	1227	908	634	397	
		Pe	1,50	1,35	1,20	1,05	0,91	0,77	0,63	0,51	
LBT-A075-0Y-2M	38	Qo	3677	2982	2385	1874	1442	1075	766	499	
		Pe	1,595	1,482	1,36	1,234	1,105	0,977	0,854	0,74	
	43	Qo	3396	2737	2173	1691	1289	947	659	410	
		Pe	1,652	1,524	1,388	1,249	1,108	0,97	0,838	0,716	
	48	Qo	3121	2493	1965	1516	1140	825	556	324	
		Pe	1,697	1,555	1,406	1,254	1,102	0,954	0,814	0,685	
LB-A106-0Y-1M	27	Qo	4457	3718	3064	2487	1983	1547	1175	856	586
		Pe	1,57	1,44	1,31	1,19	1,07	0,95	0,84	0,74	0,64
	32	Qo	4173	3475	2852	2308	1830	1420	1069	769	510
		Pe	1,65	1,50	1,36	1,23	1,10	0,97	0,85	0,74	0,64
	43	Qo	3551	2932	2385	1909	1494	1138	837	575	
		Pe	1,81	1,63	1,46	1,29	1,14	0,99	0,85	0,73	
LB-A106-0Y-2M	27	Qo	4560	3799	3122	2527	2009	1564	1185	864	588
		Pe	1,51	1,38	1,26	1,14	1,03	0,92	0,81	0,70	0,61
	32	Qo	4274	3550	2906	2343	1857	1436	1078	774	514
		Pe	1,59	1,45	1,32	1,18	1,06	0,93	0,82	0,71	0,60
	43	Qo	3649	3001	2434	1939	1519	1154	846	581	
		Pe	1,75	1,58	1,41	1,26	1,10	0,96	0,82	0,69	
LBT-A106-0Y-2M	38	Qo	4313	3524	2842	2256	1759	1338	986	688	
		Pe	1,779	1,656	1,53	1,401	1,273	1,145	1,02	0,902	
	43	Qo	4014	3263	2617	2067	1600	1205	879	598	
		Pe	1,861	1,721	1,579	1,436	1,293	1,154	1,02	0,893	
	48	Qo	3711	3004	2396	1878	1440	1074	770	510	
		Pe	1,936	1,778	1,62	1,463	1,309	1,158	1,014	0,879	
LB-A107-0Y-1M	27	Qo	5287	4474	3728	3046	2440	1905	1441	1053	736
		Pe	2,03	1,84	1,65	1,48	1,31	1,15	1,00	0,86	0,73
	32	Qo	4949	4170	3456	2812	2239	1734	1299	937	644
		Pe	2,12	1,91	1,72	1,53	1,35	1,18	1,01	0,86	0,72
	43	Qo			2895	2316	1812	1373	999	693	
		Pe			1,82	1,61	1,40	1,21	1,02	0,85	
LB-A107-0Y-2M	27	Qo	5447	4594	3818	3112	2485	1935	1460	1064	744
		Pe	1,95	1,77	1,60	1,43	1,27	1,11	0,97	0,83	0,70
	32	Qo	5103	4283	3542	2872	2278	1759	1316	947	649
		Pe	2,05	1,85	1,66	1,48	1,31	1,14	0,98	0,83	0,69
	43	Qo		3633	2965	2367	1843	1392	1012	701	
		Pe		1,99	1,78	1,57	1,36	1,17	0,99	0,81	
LBT-A107-0Y-2M	38	Qo	5256	4337	3519	2804	2177	1648	1204	842	
		Pe	2,203	2,038	1,868	1,695	1,523	1,351	1,184	1,025	
	43	Qo	4896	4016	3238	2559	1970	1474	1060	731	
		Pe	2,298	2,115	1,927	1,738	1,55	1,365	1,186	1,017	
	48	Qo		3710	2970	2328	1773	1310	931	624	
		Pe		2,179	1,975	1,771	1,569	1,371	1,181	1,001	
LB-A157-0Y-1M	27	Qo	5784	4817	3961	3207	2555	1991	1509	1101	752
		Pe	1,89	1,75	1,60	1,46	1,31	1,18	1,04	0,91	0,79
	32	Qo	5429	4506	3693	2980	2362	1829	1376	988	658
		Pe	2,00	1,84	1,67	1,51	1,35	1,20	1,05	0,91	0,79
	43	Qo	4655	3829	3105	2481	1942	1475	1080	744	
		Pe	2,20	2,00	1,80	1,60	1,41	1,23	1,06	0,90	
LB-A157-0Y-2M	27	Qo	5436	4570	3783	3084	2469	1935	1474	1079	740
		Pe	1,93	1,75	1,58	1,42	1,26	1,11	0,97	0,84	0,72
	32	Qo	5091	4262	3517	2858	2278	1776	1340	966	644
		Pe	2,02	1,83	1,64	1,47	1,30	1,14	0,98	0,84	0,72
	43	Qo	4333	3596	2940	2365	1865	1430	1051	727	
		Pe	2,20	1,97	1,75	1,55	1,35	1,16	0,98	0,82	
LBT-A157-0Y-2M	38	Qo	5246	4310	3494	2790	2185	1673	1235	866	
		Pe	2,181	2,016	1,848	1,678	1,51	1,345	1,187	1,038	
	43	Qo	4879	3990	3215	2555	1988	1507	1101	753	
		Pe	2,278	2,092	1,906	1,719	1,535	1,356	1,186	1,027	
	48	Qo	4513	3675	2950	2327	1795	1348	968	644	
		Pe	2,365	2,159	1,953	1,75	1,551	1,359	1,178	1,01	

① For performance data references see page 34.

■ Additional cooling required.

Performance R407F - R407A [50 Hz]

Condensing unit	Ambient temperature [°C]	Qo [Watt] = Cooling capacity Pe [kW] = Input power ①	Evaporating temperature [°C]								
			0	-5	-10	-15	-20	-25	-30	-35	-40
LB-B159-0Y-1M	27	Qo	6341	5408	4541	3767	3066	2443	1892	1404	971
		Pe	2,66	2,37	2,11	1,86	1,63	1,41	1,22	1,04	0,89
	32	Qo	5921	5032	4215	3488	2828	2242	1724	1265	856
		Pe	2,77	2,47	2,18	1,92	1,67	1,44	1,23	1,05	0,89
	43	Qo			3508	2869	2307	1803	1363	972	
		Pe			2,32	2,02	1,74	1,48	1,25	1,05	
LB-B159-0Y-2M	27	Qo	6595	5586	4682	3861	3132	2487	1920	1420	981
		Pe	2,56	2,29	2,04	1,80	1,58	1,37	1,18	1,01	0,86
	32	Qo	6160	5202	4350	3576	2891	2284	1751	1281	866
		Pe	2,68	2,39	2,12	1,86	1,62	1,40	1,20	1,01	0,86
	43	Qo		4375	3624	2955	2357	1840	1386	983	
		Pe		2,57	2,26	1,97	1,70	1,44	1,21	1,01	
LBT-B159-0Y-2M	38	Qo	6541	5412	4423	3566	2825	2189	1642	1173	
		Pe	2,771	2,536	2,3	2,064	1,834	1,613	1,405	1,216	
	43	Qo	6079	5006	4070	3265	2570	1977	1467	1031	
		Pe	2,899	2,638	2,378	2,121	1,872	1,634	1,413	1,213	
	48	Qo	5620	4603	3724	2968	2321	1769	1300	899	
		Pe	3,012	2,727	2,444	2,167	1,9	1,647	1,413	1,204	
LB-B210-0Y-1M	27	Qo	7851	6624	5511	4524	3652	2891	2223	1638	1123
		Pe	2,83	2,56	2,30	2,05	1,82	1,60	1,39	1,20	1,04
	32	Qo	7365	6183	5128	4196	3374	2654	2025	1476	986
		Pe	2,98	2,68	2,40	2,13	1,88	1,64	1,42	1,22	1,04
	43	Qo	6310	5248	4301	3477	2762	2142	1601	1125	
		Pe	3,26	2,91	2,59	2,28	1,98	1,70	1,45	1,21	
LB-B210-0Y-2M	27	Qo	7194	6132	5150	4263	3478	2771	2144	1589	1092
		Pe	2,95	2,62	2,33	2,05	1,79	1,55	1,33	1,14	0,97
	32	Qo	6714	5699	4771	3939	3196	2538	1950	1429	960
		Pe	3,09	2,74	2,42	2,12	1,84	1,59	1,36	1,15	0,96
	43	Qo			3984	3256	2611	2041	1538	1089	
		Pe			2,58	2,24	1,93	1,64	1,38	1,14	
LBT-B210-0Y-2M	38	Qo	7275	6019	4926	3977	3155	2447	1837	1309	
		Pe	3,131	2,855	2,58	2,312	2,051	1,801	1,565	1,349	
	43	Qo	6752	5567	4534	3640	2870	2207	1643	1152	
		Pe	3,275	2,969	2,669	2,377	2,095	1,826	1,574	1,345	
	48	Qo	6246	5125	4146	3312	2594	1981	1460	1005	
		Pe	3,402	3,069	2,746	2,431	2,128	1,841	1,574	1,333	
LB-D211-0Y-1M	27	Qo	8473	7097	5879	4801	3852	3025	2308	1680	1120
		Pe	3,13	2,80	2,49	2,20	1,92	1,66	1,42	1,20	1,01
	32	Qo	7949	6631	5466	4437	3543	2763	2082	1492	960
		Pe	3,26	2,92	2,58	2,27	1,97	1,69	1,42	1,19	0,98
	43	Qo	6821	5622	4567	3651	2864	2182	1597	1078	
		Pe	3,50	3,10	2,72	2,36	2,02	1,69	1,39	1,13	
LB-D211-0Y-2M	27	Qo	9151	7603	6242	5053	4027	3144	2384	1724	1143
		Pe	3,06	2,80	2,54	2,28	2,02	1,78	1,54	1,33	1,14
	32	Qo	8572	7093	5794	4673	3700	2866	2148	1530	983
		Pe	3,23	2,93	2,64	2,36	2,08	1,81	1,55	1,32	1,12
	43	Qo	7335	6003	4835	3834	2988	2264	1643	1108	
		Pe	3,53	3,17	2,82	2,48	2,14	1,83	1,53	1,26	
LBT-D211-0Y-2M	38	Qo	8064	6620	5359	4276	3354	2564	1889	1311	
		Pe	3,434	3,117	2,804	2,493	2,188	1,895	1,619	1,367	
	43	Qo	7500	6116	4924	3896	3026	2286	1661	1116	
		Pe	3,567	3,22	2,877	2,54	2,211	1,896	1,601	1,333	
	48	Qo	6955	5628	4497	3530	2713	2022	1432	925	
		Pe	3,675	3,301	2,93	2,567	2,216	1,88	1,568	1,286	
LB-D213-0Y-1M	27	Qo	9605	8151	6802	5598	4510	3549	2708	1979	1345
		Pe	3,81	3,41	3,03	2,67	2,33	2,00	1,70	1,43	1,19
	32	Qo	9008	7611	6328	5176	4144	3238	2449	1765	1172
		Pe	3,95	3,53	3,13	2,75	2,38	2,04	1,72	1,43	1,17
	43	Qo			5283	4258	3354	2571	1889	1304	
		Pe			3,29	2,86	2,45	2,07	1,70	1,38	
LB-D213-0Y-2M	27	Qo	10549	8842	7319	5954	4758	3712	2809	2036	1380
		Pe	3,68	3,36	3,04	2,72	2,41	2,11	1,82	1,56	1,32
	32	Qo	9872	8250	6786	5500	4371	3389	2542	1818	1202
		Pe	3,87	3,51	3,17	2,82	2,48	2,15	1,84	1,56	1,30
	43	Qo		6957	5657	4513	3531	2685	1962	1345	
		Pe		3,78	3,37	2,97	2,57	2,20	1,84	1,51	
LBT-D213-0Y-2M	38	Qo	9318	7715	6295	5053	3970	3038	2248	1572	
		Pe	4,077	3,707	3,337	2,967	2,605	2,253	1,92	1,612	
	43	Qo		7118	5775	4605	3592	2723	1983	1362	
		Pe		3,825	3,425	3,028	2,64	2,265	1,911	1,585	
	48	Qo			5270	4169	3219	2411	1728	1151	
		Pe			3,49	3,068	2,656	2,259	1,886	1,542	

① For performance data references see page 34.

■ Additional cooling required.

Performance R407F - R407A [50 Hz]

Condensing unit	Ambient temperature [°C]	Qo [Watt] = Cooling capacity Pe [kW] = Input power ①	Evaporating temperature [°C]								
			0	-5	-10	-15	-20	-25	-30	-35	-40
LB-D313-0Y-1M	27	Qo	9564	8101	6755	5552	4480	3536	2708	1981	1339
		Pe	3,72	3,32	2,95	2,61	2,28	1,98	1,69	1,44	1,21
	32	Qo	8952	7556	6282	5136	4121	3232	2449	1764	1154
		Pe	3,87	3,44	3,05	2,68	2,33	2,01	1,70	1,43	1,19
	43	Qo		6364	5233	4231	3349	2574	1897	1303	
		Pe		3,65	3,21	2,79	2,40	2,03	1,69	1,38	
LB-D313-0Y-2M	27	Qo	10509	8793	7257	5902	4722	3695	2804	2039	1375
		Pe	3,60	3,28	2,97	2,67	2,37	2,09	1,82	1,57	1,34
	32	Qo	9821	8189	6737	5455	4338	3375	2540	1818	1186
		Pe	3,79	3,43	3,09	2,76	2,43	2,12	1,83	1,56	1,32
	43	Qo	8344	6890	5608	4485	3515	2686	1968	1341	
		Pe	4,12	3,70	3,29	2,90	2,52	2,16	1,82	1,52	
LBT-D313-0Y-2T	38	Qo	9721	7970	6454	5151	4033	3085	2276	1585	
		Pe	4,111	3,782	3,446	3,107	2,772	2,446	2,135	1,848	
	43	Qo	8997	7342	5908	4693	3651	2767	2020	1366	
		Pe	4,285	3,916	3,545	3,173	2,809	2,457	2,126	1,821	
	48	Qo	8278	6718	5386	4234	3268	2456	1754	1158	
		Pe	4,436	4,029	3,621	3,22	2,828	2,453	2,102	1,783	
LB-D316-0Y-1M	27	Qo	11312	9655	8140	6764	5514	4396	3403	2530	1765
		Pe	4,92	4,37	3,86	3,38	2,93	2,52	2,15	1,81	1,52
	32	Qo		9036	7585	6261	5079	4030	3102	2285	1567
		Pe		4,51	3,98	3,48	3,01	2,58	2,18	1,82	1,51
	43	Qo			6373	5204	4170	3253	2456	1753	
		Pe			4,18	3,64	3,12	2,64	2,20	1,80	
LB-D316-0Y-2M	27	Qo	12671	10682	8887	7298	5884	4644	3562	2628	1818
		Pe	4,68	4,23	3,80	3,38	2,99	2,61	2,25	1,93	1,65
	32	Qo	11870	9973	8272	6758	5421	4250	3245	2370	1613
		Pe	4,91	4,42	3,96	3,51	3,08	2,67	2,29	1,95	1,64
	43	Qo			6922	5596	4425	3418	2553	1816	
		Pe			4,23	3,72	3,23	2,76	2,33	1,94	
LBT-D316-0Y-2T	38	Qo	11982	9890	8059	6469	5110	3940	2950	2110	
		Pe	5,177	4,745	4,307	3,869	3,435	3,016	2,617	2,25	
	43	Qo	11135	9147	7414	5914	4646	3554	2639	1859	
		Pe	5,395	4,92	4,443	3,969	3,502	3,053	2,629	2,241	
	48	Qo			6767	5375	4182	3172	2330	1617	
		Pe			4,556	4,046	3,549	3,072	2,624	2,216	
LB-D416-0Y-1M	27	Qo	11253	9585	8090	6717	5491	4394	3414	2540	1752
		Pe	4,82	4,29	3,79	3,33	2,90	2,50	2,14	1,82	1,54
	32	Qo	10527	8953	7531	6236	5071	4035	3112	2288	1540
		Pe	4,99	4,43	3,91	3,42	2,97	2,55	2,17	1,83	1,53
	43	Qo			6314	5174	4164	3269	2469	1751	
		Pe			4,11	3,58	3,08	2,61	2,19	1,81	
LB-D416-0Y-2M	27	Qo	12983	10902	9041	7400	5961	4707	3614	2670	1832
		Pe	4,56	4,15	3,76	3,37	3,00	2,65	2,32	2,01	1,74
	32	Qo	12155	10183	8410	6856	5502	4319	3295	2400	1608
		Pe	4,79	4,34	3,92	3,50	3,10	2,71	2,36	2,03	1,73
	43	Qo	10375	8600	7053	5688	4510	3492	2609	1840	
		Pe	5,23	4,70	4,20	3,71	3,24	2,80	2,39	2,02	
LBT-D416-0Y-2T	38	Qo	11892	9807	7995	6432	5094	3947	2966	2113	
		Pe	5,092	4,668	4,24	3,815	3,396	2,992	2,609	2,258	
	43	Qo	11029	9059	7340	5886	4637	3567	2658	1859	
		Pe	5,307	4,839	4,374	3,91	3,459	3,026	2,619	2,249	
	48	Qo	10160	8296	6698	5335	4176	3189	2350	1613	
		Pe	5,5	4,991	4,484	3,986	3,504	3,044	2,615	2,227	
LB-D318-0Y-1M	27	Qo		10283	8690	7242	5915	4740	3684	2751	1928
		Pe		4,79	4,24	3,71	3,21	2,75	2,32	1,95	1,62
	32	Qo		9617	8103	6711	5464	4347	3357	2482	1711
		Pe		4,93	4,35	3,81	3,29	2,80	2,36	1,96	1,62
	43	Qo				5590	4487	3507	2643	1899	
		Pe				3,95	3,39	2,87	2,39	1,95	
LB-D318-0Y-2M	27	Qo	13505	11419	9532	7858	6353	5035	3873	2869	1991
		Pe	5,13	4,64	4,17	3,70	3,25	2,82	2,43	2,07	1,75
	32	Qo	12674	10682	8874	7280	5859	4608	3525	2584	1762
		Pe	5,35	4,83	4,33	3,83	3,35	2,90	2,47	2,09	1,75
	43	Qo			7471	6032	4783	3704	2777	1969	
		Pe			4,59	4,04	3,50	2,99	2,52	2,09	
LBT-D318-0Y-2M	38	Qo		10096	8318	6753	5377	4182	3154	2271	
		Pe		5,034	4,513	3,999	3,501	3,023	2,575	2,165	
	43	Qo		9372	7676	6184	4892	3771	2817	2001	
		Pe		5,173	4,625	4,086	3,561	3,059	2,588	2,157	
	48	Qo			7052	5641	4423	3379	2492	1737	
		Pe			4,708	4,145	3,597	3,073	2,581	2,132	

① For performance data references see page 34.

■ Additional cooling required.

Performance R407F - R407A [50 Hz]

Condensing unit	Ambient temperature [°C]	Qo [Watt] = Cooling capacity Pe [kW] = Input power ①	Evaporating temperature [°C]								
			0	-5	-10	-15	-20	-25	-30	-35	-40
LB-Q420-0Y-2M	27	Qo	14835	12431	10301	8392	6719	5254	3992	2892	1944
		Pe	5,40	4,87	4,36	3,87	3,41	2,96	2,55	2,18	1,85
	32	Qo	13822	11569	9534	7735	6157	4783	3595	2565	1663
		Pe	5,63	5,06	4,51	3,99	3,48	3,01	2,57	2,17	1,82
	43	Qo		9699	7909	6328	4965	3784	2767	1883	
		Pe		5,38	4,75	4,15	3,58	3,04	2,53	2,08	
LBT-Q420-0Y-2M	38	Qo	13690	11245	9109	7259	5682	4337	3199	2214	
		Pe	5,888	5,351	4,814	4,283	3,762	3,262	2,792	2,365	
	43	Qo		10333	8322	6607	5130	3882	2825	1917	
		Pe		5,514	4,933	4,358	3,801	3,267	2,769	2,32	
	48	Qo			7545	5950	4589	3446	2467	1633	
		Pe			5,023	4,409	3,815	3,25	2,726	2,256	
LB-Q521-0Y-2T	27	Qo	16997	14114	11584	9379	7460	5817	4398	3174	2115
		Pe	5,72	5,25	4,77	4,30	3,83	3,37	2,94	2,54	2,17
	32	Qo	15856	13120	10718	8637	6835	5289	3957	2814	1819
		Pe	6,02	5,49	4,96	4,43	3,92	3,42	2,96	2,52	2,14
	43	Qo	13367	10943	8842	7047	5494	4166	3045	2070	
		Pe	6,54	5,90	5,26	4,64	4,03	3,46	2,92	2,43	
LBT-Q521-0Y-2T	38	Qo	15631	12783	10304	8184	6390	4869	3574	2475	
		Pe	6,941	6,43	5,907	5,374	4,841	4,32	3,823	3,364	
	43	Qo	14474	11779	9434	7443	5762	4346	3158	2135	
		Pe	7,198	6,628	6,05	5,467	4,89	4,33	3,801	3,316	
	48	Qo	13350	10772	8570	6715	5150	3850	2750	1815	
		Pe	7,414	6,792	6,161	5,53	4,91	4,314	3,754	3,247	
LB-Q424-0Y-2M	27	Qo	17215	14643	12275	10146	8230	6542	5065	3753	2591
		Pe	7,09	6,28	5,54	4,84	4,20	3,60	3,06	2,58	2,18
	32	Qo		13614	11364	9331	7542	5953	4561	3337	2245
		Pe		6,52	5,73	4,99	4,30	3,66	3,08	2,58	2,16
	43	Qo			9424	7658	6093	4724	3526	2483	
		Pe			6,04	5,21	4,43	3,71	3,06	2,51	
LBT-Q424-0Y-2M	38	Qo		13447	10999	8874	7039	5452	4090	2913	
		Pe		6,787	6,028	5,29	4,585	3,923	3,317	2,783	
	43	Qo		12357	10055	8066	6353	4882	3617	2534	
		Pe		7,006	6,186	5,395	4,642	3,939	3,3	2,742	
	48	Qo			9137	7284	5692	4329	3179	2171	
		Pe			6,31	5,467	4,67	3,929	3,26	2,678	
LB-Q524-0Y-2M	27	Qo	17359	14665	12204	10020	8084	6371	4885	3598	2483
		Pe	6,87	6,10	5,40	4,75	4,15	3,59	3,08	2,62	2,22
	32	Qo	16241	13649	11335	9257	7418	5813	4419	3209	2162
		Pe	7,17	6,35	5,60	4,90	4,25	3,65	3,11	2,61	2,19
	43	Qo			9479	7637	6034	4636	3440	2404	
		Pe			5,94	5,15	4,41	3,72	3,10	2,55	
LBT-Q524-0Y-2M	38	Qo	16393	13522	10999	8809	6930	5329	3967	2811	
		Pe	7,358	6,612	5,896	5,206	4,546	3,922	3,344	2,823	
	43	Qo	15193	12456	10085	8027	6269	4776	3527	2446	
		Pe	7,66	6,85	6,07	5,325	4,615	3,949	3,336	2,786	
	48	Qo			9204	7278	5638	4264	3092	2110	
		Pe			6,215	5,417	4,661	3,954	3,308	2,733	
LB-Q528-0Y-2M	27	Qo	19323	16474	13824	11451	9280	7357	5657	4167	2874
		Pe	8,16	7,24	6,40	5,60	4,88	4,20	3,57	3,01	2,50
	32	Qo		15313	12821	10571	8520	6705	5112	3717	2519
		Pe		7,49	6,59	5,76	4,98	4,26	3,60	3,00	2,47
	43	Qo			10677	8670	6898	5331	3961	2797	
		Pe			6,92	5,99	5,12	4,32	3,58	2,91	
LBT-Q528-0Y-2M	38	Qo		15369	12600	10151	8025	6186	4607	3271	
		Pe		7,709	6,861	6,048	5,268	4,528	3,836	3,202	
	43	Qo			11519	9217	7245	5538	4085	2854	
		Pe			7,037	6,166	5,333	4,548	3,817	3,15	
	48	Qo				8323	6481	4908	3581	2458	
		Pe				6,248	5,367	4,537	3,769	3,073	
LB-Q728-0Y-2T	27	Qo	21690	18137	15002	12205	9779	7682	5862	4283	2893
		Pe	7,57	6,89	6,22	5,58	4,96	4,36	3,78	3,25	2,76
	32	Qo	20212	16841	13851	11251	8976	7006	5308	3824	2520
		Pe	7,90	7,17	6,45	5,75	5,08	4,43	3,82	3,25	2,73
	43	Qo	16923	13987	11408	9178	7256	5598	4160	2894	
		Pe	8,51	7,66	6,83	6,03	5,25	4,51	3,81	3,17	
LBT-Q728-0Y-2T	38	Qo	20352	16712	13557	10843	8523	6547	4873	3435	
		Pe	8,74	8,062	7,375	6,688	6,006	5,339	4,697	4,095	
	43	Qo	18811	15387	12406	9874	7715	5892	4344	3008	
		Pe	9,052	8,308	7,564	6,82	6,086	5,371	4,689	4,052	
	48	Qo	17314	14083	11303	8943	6937	5265	3839	2602	
		Pe	9,32	8,516	7,714	6,916	6,134	5,376	4,656	3,987	

① For performance data references see page 34.

■ Additional cooling required.

Performance R407F - R407A [50 Hz]

Condensing unit	Ambient temperature [°C]	Qo [Watt] = Cooling capacity Pe [kW] = Input power ①	Evaporating temperature [°C]								
			0	-5	-10	-15	-20	-25	-30	-35	-40
LB-Q533-0Y-2M	27	Qo		18587	15732	13130	10775	8643	6731	5044	3546
		Pe		8,57	7,58	6,66	5,81	5,01	4,28	3,60	2,97
	32	Qo		17315	14616	12176	9925	7920	6125	4550	3159
		Pe		8,83	7,79	6,83	5,94	5,11	4,34	3,62	2,96
	43	Qo				10090	8118	6383	4861	3535	
		Pe				7,11	6,14	5,23	4,38	3,60	
LBT-Q533-0Y-2M	38	Qo		17722	14614	11883	9486	7407	5627	4081	
		Pe		8,981	8,024	7,107	6,231	5,394	4,598	3,851	
	43	Qo			13397	10832	8613	6687	5036	3617	
		Pe			8,223	7,255	6,328	5,446	4,612	3,832	
	48	Qo				9824	7760	5989	4465	3180	
		Pe				7,363	6,391	5,468	4,598	3,789	
LB-Q733-0Y-2T	27	Qo	25309	21195	17555	14339	11537	9108	7003	5194	3578
		Pe	8,98	8,13	7,33	6,56	5,83	5,13	4,46	3,84	3,26
	32	Qo	23665	19741	16276	13255	10634	8356	6395	4679	3158
		Pe	9,44	8,52	7,64	6,80	6,00	5,24	4,52	3,85	3,24
	43	Qo		16581	13575	10962	8716	6784	5098	3631	
		Pe		9,27	8,23	7,23	6,29	5,40	4,57	3,81	
LBT-Q733-0Y-2T	38	Qo	23572	19434	15836	12718	10067	7809	5884	4220	
		Pe	10,333	9,465	8,614	7,782	6,965	6,173	5,418	4,711	
	43	Qo	21917	17977	14582	11676	9183	7093	5301	3740	
		Pe	10,769	9,82	8,889	7,979	7,098	6,245	5,439	4,69	
	48	Qo	20302	16577	13379	10651	8347	6388	4736	3294	
		Pe	11,173	10,14	9,133	8,154	7,205	6,298	5,443	4,655	
LB-Q736-0Y-2T	27	Qo	27145	22823	18964	15567	12574	9979	7712	5725	3965
		Pe	9,97	8,99	8,07	7,20	6,37	5,59	4,84	4,14	3,49
	32	Qo	25300	21205	17576	14381	11581	9147	7034	5168	3496
		Pe	10,48	9,41	8,40	7,45	6,55	5,70	4,90	4,15	3,46
	43	Qo		17791	14614	11868	9476	7392	5590	3988	
		Pe		10,17	9,00	7,89	6,84	5,86	4,94	4,10	
LBT-Q736-0Y-2T	38	Qo	25412	21020	17193	13880	11026	8584	6491	4675	
		Pe	11,317	10,32	9,355	8,419	7,511	6,634	5,797	5,011	
	43	Qo	23596	19440	15821	12692	10040	7773	5821	4131	
		Pe	11,78	10,69	9,642	8,629	7,647	6,706	5,813	4,983	
	48	Qo		17907	14491	11589	9113	6998	5208	3628	
		Pe		11,019	9,891	8,798	7,75	6,75	5,807	4,935	
LB-S842-3Y-2T	27	Qo	29182	24563	20408	16678	13389	10530	8050	5888	3984
		Pe	11,64	10,26	9,03	7,92	6,91	5,96	5,07	4,22	3,41
	32	Qo		22719	18798	15303	12234	9537	7196	5154	3334
		Pe		10,69	9,37	8,17	7,07	6,05	5,08	4,17	3,31
	43	Qo			15454	12441	9826	7513	5504	3706	
		Pe			10,04	8,64	7,35	6,16	5,04	4,00	
LBT-S842-3Y-2T	38	Qo	28330	23333	18951	15140	11852	9064	6667	4594	
		Pe	12,729	11,418	10,204	9,067	7,988	6,95	5,95	4,986	
	43	Qo		21493	17364	13790	10715	8096	5864	3931	
		Pe		11,841	10,527	9,294	8,125	7,005	5,929	4,901	
	48	Qo			15841	12501	9652	7234	5155	3321	
		Pe			10,829	9,502	8,242	7,041	5,894	4,801	
LB-S1242-3Y-2T	27	Qo	32386	27141	22481	18391	14824	11671	8867	6268	3819
		Pe	10,86	10,01	9,21	8,43	7,64	6,83	6,00	5,14	4,25
	32	Qo	30166	25227	20839	17002	13636	10652	7972	5475	3048
		Pe	11,39	10,46	9,57	8,70	7,82	6,94	6,03	5,09	4,13
	43	Qo	25460	21119	17309	13958	11053	8409	5977	3612	
		Pe	12,45	11,33	10,25	9,18	8,12	7,05	5,97	4,87	
LBT-S1242-3Y-2T	38	Qo	28162	23345	19186	15536	12360	9534	6966	4530	
		Pe	11,855	10,871	9,902	8,948	7,987	7,011	6,015	4,996	
	43	Qo	25970	21475	17577	14156	11174	8513	6052	3647	
		Pe	12,343	11,258	10,199	9,155	8,105	7,045	5,97	4,875	
	48	Qo		19671	16015	12822	10011	7483	5112	2784	
		Pe		11,609	10,46	9,325	8,19	7,048	5,895	4,733	
LB-S1052-3Y-2T	27	Qo	34385	29050	24120	19697	15771	12320	9320	6704	4403
		Pe	13,69	12,03	10,55	9,19	7,95	6,79	5,70	4,68	3,72
	32	Qo		26725	22155	18011	14344	11099	8268	5761	3521
		Pe		12,44	10,84	9,39	8,06	6,81	5,64	4,55	3,52
	43	Qo			18011	14455	11332	8534	6073	3842	
		Pe			11,37	9,72	8,18	6,75	5,41	4,18	
LBT-S1052-3Y-2T	38	Qo	33628	27728	22492	17891	13941	10524	7584	5023	
		Pe	14,711	13,135	11,665	10,277	8,95	7,678	6,458	5,293	
	43	Qo		25408	20502	16189	12516	9304	6542	4109	
		Pe		13,523	11,94	10,446	9,017	7,651	6,345	5,106	
	48	Qo			18594	14588	11117	8159	5579	3264	
		Pe			12,176	10,576	9,05	7,593	6,208	4,9	

① For performance data references see page 34.

■ Additional cooling required.

Performance R407F - R407A [50 Hz]

Condensing unit	Ambient temperature [°C]	Qo [Watt] = Cooling capacity Pe [kW] = Input power ①	Evaporating temperature [°C]								
			0	-5	-10	-15	-20	-25	-30	-35	-40
LB-S1552-3Y-2T	27	Qo	38009	32032	26596	21736	17416	13580	10171	7086	4240
		Pe	13,33	12,16	11,04	9,94	8,85	7,78	6,72	5,68	4,66
	32	Qo	35234	29556	24503	19962	15923	12318	9061	6095	3251
		Pe	13,78	12,56	11,35	10,17	8,99	7,83	6,69	5,57	4,48
	43	Qo	29014	24230	19915	16031	12590	9459	6589	3810	
		Pe	14,50	13,12	11,75	10,39	9,04	7,70	6,39	5,11	
LBT-S1552-3Y-2T	38	Qo	32663	27297	22441	18147	14322	10902	7812	4900	
		Pe	14,13	12,848	11,583	10,321	9,065	7,815	6,58	5,366	
	43	Qo	29812	24790	20336	16343	12785	9597	6637	3853	
		Pe	14,433	13,08	11,731	10,388	9,047	7,716	6,399	5,12	
	48	Qo		22388	18214	14536	11255	8288	5492	2785	
		Pe		13,21	11,787	10,362	8,942	7,535	6,149	4,802	
LB-S1556-3Y-2T	27	Qo	42275	35485	29371	23927	19137	14963	11368	8264	5562
		Pe	15,53	13,99	12,50	11,07	9,71	8,45	7,29	6,28	5,45
	32	Qo	39369	32936	27181	22022	17502	13591	10173	7217	4605
		Pe	16,16	14,51	12,90	11,37	9,91	8,54	7,30	6,21	5,33
	43	Qo			22513	18023	14094	10686	7705	5048	
		Pe			13,67	11,90	10,23	8,67	7,26	6,04	
LBT-S1556-3Y-2T	38	Qo		30688	25112	20178	15869	12140	8901	6063	
		Pe		14,937	13,253	11,626	10,071	8,612	7,283	6,124	
	43	Qo		28268	22970	18366	14347	10844	7794	5086	
		Pe		15,38	13,595	11,86	10,207	8,663	7,261	6,043	
	48	Qo			20945	16611	12857	9595	6744	4186	
		Pe			13,904	12,074	10,331	8,706	7,238	5,971	
LB-S2056-3Y-2T	27	Qo	42382	35778	29763	24411	19637	15429	11681	8273	5072
		Pe	14,54	13,27	12,06	10,87	9,72	8,56	7,41	6,27	5,14
	32	Qo	39456	33185	27555	22528	18049	14082	10496	7202	4073
		Pe	15,15	13,79	12,48	11,20	9,93	8,68	7,44	6,20	5,00
	43	Qo	33102	27670	22766	18428	14560	11054	7842	4732	
		Pe	16,30	14,73	13,21	11,70	10,22	8,75	7,31	5,89	
LBT-S2056-3Y-4T	38	Qo	38973	32183	26328	21204	16747	12805	9282	6002	
		Pe	16,745	15,479	14,188	12,888	11,571	10,242	8,906	7,576	
	43	Qo	35785	29503	24030	19255	15093	11398	8046	4828	
		Pe	17,346	15,946	14,54	13,123	11,693	10,257	8,825	7,405	
	48	Qo	32676	26811	21734	17346	13448	9981	6762	3655	
		Pe	17,871	16,353	14,826	13,29	11,753	10,216	8,692	7,194	
LB-V2059-3Y-2T	27	Qo	44061	37207	30865	25169	20081	15611	11721	8304	5277
		Pe	15,38	13,95	12,61	11,32	10,10	8,91	7,77	6,68	5,63
	32	Qo	41008	34525	28567	23225	18475	14252	10518	7200	4205
		Pe	15,95	14,47	13,05	11,69	10,37	9,09	7,86	6,68	5,55
	43	Qo	34218	28639	23606	19039	14912	11261	7927	4818	
		Pe	17,02	15,40	13,83	12,29	10,80	9,35	7,94	6,59	
LBT-V2059-3Y-4T	38	Qo	40663	33591	27382	21906	17158	12990	9313	6000	
		Pe	17,51	16,135	14,762	13,404	12,053	10,722	9,417	8,146	
	43	Qo	37250	30689	24951	19898	15484	11598	8121	4905	
		Pe	18,073	16,608	15,142	13,688	12,247	10,827	9,438	8,09	
	48	Qo		27813	22536	17899	13807	10177	6885	3816	
		Pe		17,009	15,457	13,915	12,391	10,891	9,425	8,008	
LB-V1571-3Y-2T	27	Qo		37898	31996	26661	21802	17475	13603	10144	7030
		Pe		18,54	16,09	13,91	11,99	10,29	8,77	7,43	6,25
	32	Qo			29602	24552	20047	15990	12340	9078	
		Pe			16,60	14,34	12,32	10,52	8,93	7,51	
	43	Qo					16516	13080	9966	7140	
		Pe					13,01	11,03	9,27	7,71	
LBT-V1571-3Y-2T	38	Qo		37928	31293	25449	20291	15825	11943	8555	
		Pe		19,403	17,107	15,025	13,14	11,417	9,848	8,427	
	43	Qo			28916	23368	18570	14422	10789	7624	
		Pe			17,623	15,452	13,466	11,652	10,007	8,52	
	48	Qo				21457	16998	13151	9817	6861	
		Pe				15,859	13,781	11,886	10,167	8,625	
LB-V2571-3Y-2T	27	Qo	51512	44098	36994	30433	24421	19074	14383	10429	7130
		Pe	19,36	17,56	15,81	14,11	12,48	10,95	9,53	8,22	7,04
	32	Qo	47912	40922	34347	28183	22554	17486	13014	9155	5852
		Pe	20,01	18,18	16,36	14,59	12,87	11,25	9,72	8,30	7,01
	43	Qo			28525	23293	18418	14037	10001	6411	
		Pe			17,34	15,42	13,55	11,72	9,99	8,36	
LBT-V2571-3Y-4T	38	Qo	48552	40627	33445	26996	21234	16139	11688	7812	
		Pe	21,398	19,735	18,033	16,317	14,619	12,96	11,361	9,849	
	43	Qo	44449	37202	30572	24615	19254	14496	10281	6537	
		Pe	22,069	20,317	18,531	16,726	14,933	13,172	11,472	9,86	
	48	Qo			27678	22214	17311	12885	8905	5297	
		Pe			18,955	17,064	15,176	13,324	11,531	9,829	

① For performance data references see page 34.

■ Additional cooling required.

Performance R407F - R407A [50 Hz]

Condensing unit	Ambient temperature [°C]	Qo [Watt] = Cooling capacity Pe [kW] = Input power ①	Evaporating temperature [°C]								
			0	-5	-10	-15	-20	-25	-30	-35	-40
LB-V2084-3Y-2T	27	Qo		51310	43003	35608	29022	23188	18044	13453	9286
		Pe		22,56	19,77	17,33	15,18	13,27	11,53	9,94	8,45
	32	Qo		47858	40063	33074	26850	21328	16460	12111	8113
		Pe		23,48	20,53	17,95	15,68	13,64	11,79	10,10	8,53
	43	Qo				27750	22360	17593	13354	9523	
		Pe				19,28	16,72	14,43	12,35	10,45	
LBT-V2084-3Y-4T	38	Qo		48509	39713	32144	25620	19994	15150	10868	
		Pe		24,81	22,123	19,682	17,457	15,414	13,515	11,752	
	43	Qo			36613	29502	23446	18227	13752	9713	
		Pe			22,926	20,337	17,962	15,787	13,771	11,922	
	48	Qo				27009	21426	16614	12454	8716	
		Pe				20,975	18,457	16,159	14,043	12,106	
LB-V3084-3Y-4T	27	Qo	66281	55705	46176	37727	30250	23708	17931	12887	8352
		Pe	23,23	21,31	19,45	17,64	15,90	14,22	12,62	11,10	9,69
	32	Qo	61670	51745	42889	34989	28017	21813	16347	11438	6918
		Pe	24,24	22,22	20,24	18,30	16,42	14,62	12,88	11,24	9,71
	43	Qo	51239	43040	35523	28928	22947	17542	12648	8089	
		Pe	26,15	23,89	21,68	19,48	17,36	15,29	13,30	11,41	
LB-Z25106-3Y-4T	27	Qo		62708	52426	43199	35029	27808	21500	15815	10608
		Pe		27,20	23,77	20,78	18,14	15,75	13,54	11,47	9,51
	32	Qo		58187	48480	39846	32152	25420	19498	14164	9179
		Pe		28,23	24,64	21,48	18,67	16,12	13,77	11,59	9,53
	43	Qo				32719	26214	20524	15459	10866	
		Pe				22,81	19,66	16,80	14,18	11,75	
LBT-Z25106-3Y-4T	38	Qo		57524	47183	38196	30407	23730	17875	12667	
		Pe		30,119	26,651	23,54	20,715	18,107	15,686	13,411	
	43	Qo			43210	34870	27644	21454	16058	11199	
		Pe			27,463	24,165	21,174	18,417	15,862	13,479	
	48	Qo					25043	19349	14343	9875	
		Pe					21,578	18,683	16,011	13,528	
LB-Z30126-3Y-4T	27	Qo		69615	59188	49499	40591	32540	25273	18785	12986
		Pe		33,31	29,22	25,43	21,97	18,82	16,05	13,66	11,70
	32	Qo			54625	45527	37304	29722	22874	16729	11207
		Pe			30,18	26,23	22,58	19,28	16,35	13,81	11,73
	43	Qo					30351	23895	18037	12675	
		Pe					23,76	20,14	16,90	14,09	
LBT-Z30126-3Y-4T	38	Qo			53679	44144	35552	27927	21098	15038	
		Pe			32,114	28,241	24,628	21,294	18,296	15,673	
	43	Qo				40202	32324	25238	18866	13176	
		Pe				28,979	25,179	21,688	18,547	15,797	
	48	Qo						22646	16818	11478	
		Pe						22,053	18,77	15,911	

① References of performance data:

Data published are based on suction gas temperature of 20°C and 3K liquid subcooling; Frequency 50 Hz.
For calculating the performance at other conditions and 60 Hz, use Frascol Selection Software.

■ Additional cooling required.

Verify compliance with Directive 2009/125/EC Ecodesign - Regulation EU 2015/1095, refer to the manual FTEC030 or use the FSS3 selection program available from Frascol web site.

Performance R22 [50 Hz]

Condensing unit	Ambient temperature [°C]	Qo [Watt] = Cooling capacity Pe [kW] = Input power ①	Evaporating temperature [°C]								
			0	-5	-10	-15	-20	-25	-30	-35	-40
LB-A075-0Y-1M	27	Qo	3634	3038	2505	2030	1618	1264	965	712	498
		Pe	1,15	1,08	1,01	0,94	0,88	0,81	0,74	0,67	0,61
	32	Qo	3408	2846	2344	1899	1510	1176	892	648	440
		Pe	1,24	1,15	1,07	0,98	0,90	0,82	0,74	0,67	0,60
	43	Qo	2901	2421	1990	1608	1273	985	734	513	320
		Pe	1,47	1,33	1,20	1,07	0,96	0,85	0,75	0,65	0,57
LB1-A075-0Y-2M	27	Qo	3760	3127	2563	2071	1645	1280	975	712	498
		Pe	1,06	1,01	0,95	0,90	0,83	0,77	0,70	0,64	0,57
	32	Qo	3529	2932	2401	1937	1535	1191	900	648	440
		Pe	1,15	1,08	1,01	0,94	0,86	0,78	0,71	0,64	0,57
	43	Qo	3013	2498	2041	1642	1294	995	738	513	320
		Pe	1,38	1,26	1,14	1,03	0,92	0,81	0,71	0,62	0,53
LBT-A075-0Y-2M	38	Qo	3424	2818	2291	1834	1435	1095	811	574	374
		Pe	1,40	1,33	1,25	1,17	1,08	1,00	0,91	0,83	0,75
	43	Qo	3181	2615	2124	1696	1323	1005	738	513	320
		Pe	1,51	1,41	1,31	1,21	1,11	1,01	0,91	0,82	0,73
	48	Qo	2942	2415	1957	1562	1212	916	667	453	267
		Pe	1,62	1,50	1,38	1,25	1,14	1,02	0,91	0,81	0,71
LB-A106-0Y-1M	27	Qo	4008	3354	2769	2248	1795	1403	1071	795	558
		Pe	1,26	1,18	1,11	1,04	0,96	0,89	0,81	0,74	0,67
	32	Qo	3760	3147	2595	2105	1676	1307	991	726	495
		Pe	1,36	1,26	1,17	1,07	0,99	0,90	0,82	0,74	0,66
	43	Qo	3219	2688	2212	1789	1418	1096	817	575	361
		Pe	1,61	1,45	1,30	1,17	1,04	0,93	0,82	0,72	0,63
LB-A106-0Y-2M	27	Qo	4157	3462	2841	2297	1826	1424	1085	797	558
		Pe	1,17	1,11	1,05	0,99	0,92	0,85	0,78	0,70	0,63
	32	Qo	3905	3248	2663	2150	1706	1325	1002	726	495
		Pe	1,27	1,19	1,11	1,03	0,95	0,86	0,78	0,70	0,63
	43	Qo	3350	2781	2274	1829	1441	1111	825	575	361
		Pe	1,51	1,37	1,24	1,12	1,00	0,89	0,78	0,68	0,59
LBT-A106-0Y-2M	38	Qo	3812	3140	2552	2043	1606	1225	908	643	421
		Pe	1,51	1,43	1,34	1,26	1,17	1,07	0,98	0,89	0,81
	43	Qo	3550	2923	2371	1897	1483	1125	826	575	361
		Pe	1,62	1,51	1,41	1,30	1,19	1,09	0,98	0,88	0,79
	48	Qo	3292	2705	2190	1749	1361	1027	746	508	302
		Pe	1,74	1,61	1,48	1,35	1,22	1,10	0,98	0,87	0,77
LB-A107-0Y-1M	27	Qo		4161	3464	2848	2305	1836	1436	1095	806
		Pe		1,59	1,46	1,33	1,22	1,10	1,00	0,89	0,79
	32	Qo		3918	3261	2675	2164	1721	1340	1017	739
		Pe		1,72	1,56	1,41	1,27	1,14	1,02	0,90	0,79
	43	Qo		3380	2804	2297	1851	1464	1134	844	591
		Pe		2,00	1,78	1,58	1,39	1,22	1,06	0,92	0,78
LB-A107-0Y-2M	27	Qo		4326	3578	2922	2354	1869	1455	1107	808
		Pe		1,47	1,37	1,27	1,16	1,06	0,96	0,85	0,76
	32	Qo		4072	3366	2747	2210	1750	1359	1028	741
		Pe		1,60	1,47	1,34	1,22	1,10	0,98	0,87	0,76
	43	Qo		3519	2899	2362	1894	1491	1149	854	591
		Pe		1,89	1,70	1,51	1,34	1,18	1,02	0,88	0,75
LBT-A107-0Y-2M	38	Qo		3991	3268	2642	2109	1657	1265	938	660
		Pe		1,84	1,72	1,59	1,46	1,33	1,20	1,08	0,96
	43	Qo		3731	3052	2464	1963	1537	1167	857	591
		Pe		1,98	1,82	1,67	1,52	1,37	1,22	1,08	0,95
	48	Qo		3476	2836	2287	1816	1415	1068	774	
		Pe		2,11	1,93	1,75	1,57	1,40	1,24	1,08	
LB-A157-0Y-1M	27	Qo	5336	4470	3697	3017	2424	1914	1481	1111	
		Pe	1,55	1,47	1,40	1,32	1,24	1,15	1,07	0,98	
	32	Qo	5038	4217	3488	2842	2283	1796	1382	1023	
		Pe	1,68	1,58	1,47	1,38	1,28	1,18	1,09	0,99	
	43	Qo	4375	3658	3024	2459	1967	1536	1164	829	
		Pe	2,01	1,83	1,67	1,52	1,38	1,24	1,12	1,00	
LB-A157-0Y-2M	27	Qo	5238	4400	3646	2981	2399	1897	1469	1104	
		Pe	1,52	1,43	1,35	1,26	1,18	1,09	1,00	0,91	
	32	Qo	4943	4149	3438	2809	2257	1780	1369	1018	
		Pe	1,65	1,53	1,42	1,32	1,22	1,12	1,02	0,92	
	43	Qo	4284	3593	2974	2425	1945	1523	1152	825	
		Pe	1,99	1,80	1,63	1,47	1,32	1,18	1,05	0,93	
LBT-A157-0Y-2M	38	Qo	4900	4072	3342	2709	2159	1688	1273	918	
		Pe	1,87	1,77	1,66	1,55	1,45	1,34	1,23	1,13	
	43	Qo	4591	3813	3127	2534	2017	1568	1171	829	
		Pe	2,02	1,89	1,75	1,62	1,49	1,36	1,24	1,13	
	48	Qo	4281	3550	2914	2352	1868	1446	1069	739	
		Pe	2,19	2,02	1,86	1,70	1,55	1,40	1,26	1,14	

① For performance data references see page 41.

■ Additional cooling required.

Performance R22 [50 Hz]

Condensing unit	Ambient temperature [°C]	Qo [Watt] = Cooling capacity Pe [kW] = Input power ①	Evaporating temperature [°C]								
			0	-5	-10	-15	-20	-25	-30	-35	-40
LB-B159-0Y-1M	27	Qo	6221	5310	4478	3730	3065	2480	1972	1527	1139
		Pe	2,49	2,24	2,02	1,82	1,64	1,47	1,31	1,16	1,01
	32	Qo	5831	4983	4202	3497	2871	2322	1836	1412	1035
		Pe	2,68	2,38	2,13	1,90	1,69	1,50	1,32	1,16	1,01
	43	Qo	4967	4248	3578	2979	2439	1961	1537	1152	800
		Pe	3,15	2,75	2,40	2,09	1,82	1,57	1,35	1,15	0,97
LB-B159-0Y-2M	27	Qo	6614	5594	4677	3867	3158	2543	2011	1553	1156
		Pe	2,28	2,09	1,91	1,74	1,58	1,43	1,27	1,12	0,98
	32	Qo	6211	5253	4393	3631	2961	2379	1875	1437	1050
		Pe	2,46	2,23	2,02	1,82	1,64	1,46	1,29	1,12	0,97
	43	Qo	5329	4502	3761	3101	2520	2015	1570	1174	811
		Pe	2,91	2,58	2,28	2,01	1,76	1,52	1,31	1,11	0,94
LBT-B159-0Y-2M	38	Qo	6273	5233	4323	3534	2853	2271	1769	1325	928
		Pe	2,63	2,44	2,25	2,05	1,86	1,68	1,49	1,32	1,16
	43	Qo	5857	4885	4028	3289	2651	2104	1628	1200	814
		Pe	2,83	2,59	2,36	2,14	1,92	1,71	1,50	1,31	1,14
	48	Qo	5438	4525	3729	3041	2443	1927	1482	1069	
		Pe	3,05	2,77	2,49	2,23	1,98	1,74	1,52	1,31	
LB-B210-0Y-1M	27	Qo	7481	6350	5313	4388	3566	2821	2171		
		Pe	2,52	2,39	2,25	2,09	1,92	1,73	1,52		
	32	Qo	7022	5964	4998	4120	3337	2640	2016		
		Pe	2,67	2,50	2,32	2,14	1,95	1,73	1,50		
	43	Qo	5947	5062	4258	3519	2854	2252	1706		
		Pe	3,05	2,78	2,52	2,26	1,99	1,71	1,43		
LB-B210-0Y-2M	27	Qo	7286	6202	5213	4309	3502	2781	2144		
		Pe	2,52	2,36	2,20	2,04	1,86	1,66	1,45		
	32	Qo	6823	5825	4895	4052	3288	2606	1994		
		Pe	2,67	2,47	2,28	2,08	1,88	1,66	1,43		
	43	Qo	5733	4914	4147	3448	2803	2219	1683		
		Pe	3,06	2,76	2,48	2,20	1,93	1,64	1,35		
LBT-B210-0Y-2M	38	Qo	6954	5841	4850	3968	3189	2501	1891		
		Pe	2,82	2,66	2,49	2,30	2,09	1,86	1,60		
	43	Qo	6458	5430	4514	3690	2968	2323	1748		
		Pe	2,99	2,79	2,57	2,35	2,11	1,85	1,57		
	48	Qo	5936	4990	4143	3394	2727	2130	1596		
		Pe	3,18	2,94	2,68	2,42	2,14	1,85	1,54		
LB-D211-0Y-1M	27	Qo	8294	7045	5891	4849	3925	3109	2399	1787	
		Pe	2,91	2,70	2,50	2,28	2,07	1,85	1,63	1,41	
	32	Qo	7821	6645	5579	4599	3721	2941	2254	1651	
		Pe	3,07	2,83	2,58	2,33	2,09	1,85	1,61	1,38	
	43	Qo	6607	5669	4791	3980	3237	2560	1945	1385	
		Pe	3,57	3,20	2,85	2,52	2,20	1,89	1,60	1,33	
LB-D211-0Y-2M	27	Qo	8875	7452	6169	5042	4052	3196	2458	1831	
		Pe	2,85	2,71	2,55	2,37	2,18	1,97	1,76	1,55	
	32	Qo	8398	7055	5848	4779	3837	3016	2302	1683	
		Pe	3,01	2,83	2,64	2,43	2,21	1,98	1,75	1,52	
	43	Qo	7259	6134	5107	4185	3373	2645	1998	1411	
		Pe	3,42	3,14	2,86	2,57	2,28	2,00	1,72	1,46	
LBT-D211-0Y-2M	38	Qo	8009	6711	5555	4531	3631	2844	2156	1538	
		Pe	3,21	3,01	2,78	2,55	2,30	2,05	1,79	1,55	
	43	Qo	7483	6279	5208	4254	3409	2670	2013	1411	
		Pe	3,40	3,15	2,89	2,62	2,34	2,06	1,79	1,53	
	48	Qo	6899	5794	4812	3935	3155	2459	1842	1249	
		Pe	3,64	3,35	3,04	2,73	2,42	2,12	1,82	1,55	
LB-D213-0Y-1M	27	Qo	9402	8072	6837	5719	4702	3801	3003	2299	1680
		Pe	3,53	3,27	3,03	2,78	2,53	2,27	2,01	1,74	1,47
	32	Qo	8798	7559	6408	5354	4408	3552	2794	2116	1505
		Pe	3,75	3,45	3,16	2,87	2,58	2,29	2,00	1,71	1,42
	43	Qo		6387	5423	4538	3723	2982	2306	1686	1107
		Pe		3,91	3,50	3,10	2,72	2,34	1,98	1,62	1,28
LB-D213-0Y-2M	27	Qo	10271	8700	7284	6026	4914	3943	3099	2365	1719
		Pe	3,35	3,19	3,02	2,83	2,61	2,38	2,13	1,87	1,61
	32	Qo	9642	8168	6847	5661	4611	3692	2887	2177	1539
		Pe	3,57	3,37	3,16	2,93	2,68	2,41	2,14	1,85	1,57
	43	Qo	8258	6991	5850	4836	3931	3118	2399	1744	1118
		Pe	4,10	3,79	3,47	3,14	2,80	2,46	2,11	1,76	1,41
LBT-D213-0Y-2M	38	Qo	9194	7747	6462	5319	4315	3435	2659	1969	1319
		Pe	3,80	3,58	3,34	3,08	2,80	2,50	2,19	1,88	1,55
	43	Qo	8548	7201	5997	4935	3994	3171	2430	1760	1118
		Pe	4,05	3,78	3,49	3,18	2,86	2,52	2,18	1,83	1,48
	48	Qo	7878	6643	5531	4537	3667	2886	2186	1533	
		Pe	4,34	4,00	3,66	3,30	2,93	2,56	2,18	1,80	

① For performance data references see page 41.

■ Additional cooling required.

Performance R22 [50 Hz]

Condensing unit	Ambient temperature [°C]	Qo [Watt] = Cooling capacity Pe [kW] = Input power ①	Evaporating temperature [°C]								
			0	-5	-10	-15	-20	-25	-30	-35	-40
LB-D313-0Y-1M	27	Qo	9510	8116	6846	5687	4642	3710	2887		
		Pe	3,37	3,10	2,84	2,59	2,34	2,09	1,85		
	32	Qo	8909	7615	6419	5320	4330	3442	2642		
		Pe	3,59	3,26	2,95	2,66	2,38	2,10	1,84		
	43	Qo	7600	6488	5459	4506	3633	2826	2085		
		Pe	7600	6488	5459	4506	3633	2826	2085		
LB-D313-0Y-2M	27	Qo	10357	8733	7282	5991	4857	3861	2994		
		Pe	3,23	3,05	2,86	2,66	2,44	2,21	1,98		
	32	Qo	9742	8217	6841	5621	4540	3589	2745		
		Pe	3,42	3,20	2,97	2,73	2,48	2,23	1,97		
	43	Qo	8402	7071	5871	4794	3835	2969	2180		
		Pe	8402	7071	5871	4794	3835	2969	2180		
LBT-D313-0Y-2T	38	Qo	9817	8170	6719	5456	4352	3386	2506		
		Pe	3,70	3,51	3,30	3,06	2,80	2,54	2,26		
	43	Qo	9187	7628	6270	5072	4021	3094	2232		
		Pe	3,92	3,68	3,42	3,15	2,86	2,56	2,26		
	48	Qo	8546	7088	5808	4678	3682	2790	1951		
		Pe	4,18	3,90	3,59	3,28	2,95	2,62	2,31		
LB-D316-0Y-1M	27	Qo	10701	9265	7914	6676	5539	4505	3580	2747	1994
		Pe	4,31	3,92	3,56	3,22	2,89	2,57	2,25	1,94	1,64
	32	Qo	10000	8677	7414	6255	5186	4209	3321	2510	1765
		Pe	4,61	4,14	3,73	3,33	2,96	2,60	2,25	1,91	1,59
	43	Qo		7372	6317	5322	4396	3536	2731	1968	1241
		Pe		7372	6317	5322	4396	3536	2731	1968	1241
LB-D316-0Y-2M	27	Qo	11847	10110	8529	7105	5835	4713	3721	2847	2065
		Pe	3,99	3,74	3,49	3,23	2,95	2,67	2,37	2,07	1,78
	32	Qo	11130	9497	8013	6669	5473	4406	3458	2608	1832
		Pe	4,27	3,96	3,66	3,35	3,03	2,71	2,38	2,06	1,74
	43	Qo	9545	8145	6870	5714	4668	3724	2858	2055	1271
		Pe	9545	8145	6870	5714	4668	3724	2858	2055	1271
LBT-D316-0Y-2T	38	Qo	11370	9561	7957	6547	5306	4220	3261	2363	1537
		Pe	4,48	4,24	3,98	3,68	3,36	3,03	2,68	2,32	1,95
	43	Qo	10616	8919	7422	6096	4937	3903	2973	2096	1271
		Pe	4,77	4,48	4,15	3,81	3,44	3,05	2,66	2,27	1,87
	48	Qo	9855	8287	6885	5651	4554	3581	2680	1821	
		Pe	5,10	4,73	4,35	3,94	3,52	3,09	2,66	2,23	
LB-D416-0Y-1M	27	Qo	10888	9432	8073	6793	5626	4557	3592		
		Pe	4,23	3,87	3,53	3,22	2,91	2,61	2,31		
	32	Qo	10180	8841	7553	6361	5264	4239	3304		
		Pe	4,51	4,07	3,68	3,31	2,97	2,63	2,30		
	43	Qo		7536	6462	5443	4471	3557	2684		
		Pe		7536	6462	5443	4471	3557	2684		
LB-D416-0Y-2M	27	Qo	12510	10614	8913	7397	6048	4853	3806		
		Pe	3,89	3,71	3,50	3,28	3,04	2,78	2,51		
	32	Qo	11754	9987	8382	6948	5667	4532	3506		
		Pe	4,14	3,89	3,65	3,38	3,11	2,81	2,51		
	43	Qo	10125	8594	7215	5974	4845	3812	2863		
		Pe	10125	8594	7215	5974	4845	3812	2863		
LBT-D416-0Y-2T	38	Qo	11603	9760	8121	6674	5394	4257	3239		
		Pe	4,42	4,19	3,95	3,67	3,38	3,06	2,73		
	43	Qo	10837	9111	7582	6226	5013	3931	2931		
		Pe	4,68	4,40	4,10	3,78	3,44	3,09	2,72		
	48	Qo	10065	8465	7045	5768	4633	3602	2633		
		Pe	4,99	4,65	4,29	3,92	3,53	3,14	2,75		
LB-D318-0Y-1M	27	Qo		10189	8654	7272	6029	4923	3938	3061	2260
		Pe		4,49	4,07	3,68	3,30	2,95	2,60	2,25	1,92
	32	Qo		9552	8096	6804	5630	4586	3652	2812	2035
		Pe		4,75	4,27	3,82	3,41	3,01	2,63	2,25	1,89
	43	Qo			6873	5746	4725	3817	2992	2233	1512
		Pe			6873	5746	4725	3817	2992	2233	1512
LB-D318-0Y-2M	27	Qo		11189	9380	7788	6396	5176	4115	3181	2337
		Pe		4,23	3,94	3,64	3,33	3,02	2,70	2,38	2,05
	32	Qo		10534	8813	7310	5990	4834	3821	2922	2111
		Pe		4,49	4,14	3,79	3,44	3,09	2,74	2,38	2,03
	43	Qo		9069	7569	6245	5080	4053	3157	2334	1583
		Pe		9069	7569	6245	5080	4053	3157	2334	1583
LBT-D318-0Y-2M	38	Qo		10082	8394	6906	5622	4498	3520	2650	1845
		Pe		4,73	4,36	3,99	3,61	3,23	2,84	2,44	2,06
	43	Qo		9413	7815	6414	5198	4139	3207	2378	1583
		Pe		5,00	4,57	4,15	3,72	3,29	2,86	2,43	2,01
	48	Qo		8722	7220	5909	4767	3766	2882	2084	
		Pe		5,29	4,80	4,32	3,84	3,36	2,89	2,42	

① For performance data references see page 41.

■ Additional cooling required.

Performance R22 [50 Hz]

Condensing unit	Ambient temperature [°C]	Qo [Watt] = Cooling capacity Pe [kW] = Input power ①	Evaporating temperature [°C]								
			0	-5	-10	-15	-20	-25	-30	-35	-40
LB-Q420-0Y-2M	27	Qo	14729	12501	10480	8685	7103	5724	4536	3526	2668
		Pe	5,07	4,68	4,31	3,94	3,57	3,20	2,83	2,48	2,13
	32	Qo	13976	11866	9956	8253	6751	5436	4299	3327	2493
		Pe	5,45	5,01	4,58	4,15	3,72	3,31	2,90	2,51	2,13
	43	Qo	12343	10492	8824	7325	6000	4831	3811	2924	2146
		Pe	6,27	5,68	5,11	4,56	4,02	3,50	2,99	2,51	2,06
LBT-Q420-0Y-2M	38	Qo	13975	11750	9770	8042	6531	5228	4109	3151	2308
		Pe	5,68	5,30	4,90	4,47	4,05	3,61	3,17	2,75	2,33
	43	Qo	13207	11113	9252	7615	6186	4953	3892	2970	2154
		Pe	6,07	5,61	5,14	4,66	4,18	3,69	3,21	2,74	2,29
	48	Qo	12455	10484	8730	7191	5850	4690	3680	2801	
		Pe	6,44	5,91	5,38	4,84	4,30	3,76	3,24	2,73	
LB-Q521-0Y-2T	27	Qo	16710	13987	11577	9444	7587	5986	4620		
		Pe	4,88	4,68	4,45	4,18	3,86	3,51	3,13		
	32	Qo	15761	13181	10888	8868	7099	5569	4251		
		Pe	5,26	4,99	4,68	4,34	3,97	3,57	3,14		
	43	Qo	13650	11390	9369	7577	6000	4636	3442		
		Pe	6,19	5,70	5,21	4,70	4,18	3,64	3,08		
LBT-Q521-0Y-2T	38	Qo	15429	12801	10471	8453	6698	5176	3840		
		Pe	6,27	6,00	5,69	5,32	4,92	4,47	3,98		
	43	Qo	14455	11958	9765	7852	6193	4735	3456		
		Pe	6,68	6,33	5,93	5,49	5,01	4,50	3,95		
	48	Qo	13467	11123	9065	7252	5688	4299	3080		
		Pe	7,14	6,69	6,20	5,68	5,12	4,55	3,93		
LB-Q424-0Y-2M	27	Qo	17266	14695	12358	10220	8311	6619	5153	3889	2825
		Pe	6,61	5,93	5,31	4,76	4,24	3,74	3,26	2,80	2,35
	32	Qo	16231	13804	11577	9556	7738	6131	4735	3538	2521
		Pe	7,09	6,30	5,60	4,96	4,37	3,81	3,28	2,78	2,30
	43	Qo		11841	9867	8078	6475	5069	3831	2770	1870
		Pe		7,08	6,18	5,36	4,61	3,91	3,26	2,66	2,09
LBT-Q424-0Y-2M	38	Qo	16478	13807	11424	9300	7426	5799	4402	3220	2179
		Pe	7,20	6,53	5,88	5,26	4,66	4,08	3,51	2,97	2,43
	43	Qo		12894	10615	8608	6845	5302	3978	2852	1870
		Pe		6,89	6,16	5,45	4,77	4,12	3,50	2,90	2,32
	48	Qo		11972	9824	7915	6248	4806	3564	2489	
		Pe		7,26	6,42	5,63	4,88	4,16	3,48	2,83	
LB-Q524-0Y-2M	27	Qo	17213	14628	12269	10113	8193	6501	5037		
		Pe	6,14	5,60	5,08	4,61	4,14	3,69	3,25		
	32	Qo	16191	13781	11529	9492	7666	6056	4647		
		Pe	6,59	5,93	5,33	4,77	4,24	3,73	3,24		
	43	Qo	13870	11802	9873	8099	6499	5068	3779		
		Pe	7,78	6,83	5,98	5,20	4,47	3,79	3,16		
LBT-Q524-0Y-2M	38	Qo	16405	13753	11372	9254	7382	5747	4328		
		Pe	6,73	6,17	5,62	5,07	4,52	3,97	3,44		
	43	Qo	15336	12845	10603	8615	6843	5285	3928		
		Pe	7,23	6,56	5,90	5,25	4,62	4,00	3,40		
	48	Qo	14232	11913	9815	7944	6285	4820	3526		
		Pe	7,81	7,01	6,23	5,48	4,75	4,05	3,38		
LB-Q528-0Y-2M	27	Qo	18985	16270	13775	11509	9465	7664	6064	4644	3380
		Pe	7,44	6,68	6,00	5,39	4,83	4,29	3,76	3,25	2,76
	32	Qo	17831	15276	12933	10806	8876	7169	5645	4284	3045
		Pe	7,99	7,10	6,31	5,60	4,95	4,34	3,75	3,19	2,67
	43	Qo		12936	10979	9166	7517	6020	4674	3433	2259
		Pe		8,19	7,10	6,13	5,25	4,44	3,69	3,00	2,37
LBT-Q528-0Y-2M	38	Qo	18274	15399	12858	10605	8619	6877	5340	3970	2691
		Pe	8,01	7,28	6,57	5,89	5,24	4,59	3,96	3,36	2,77
	43	Qo	17008	14338	11962	9843	7989	6351	4891	3566	2298
		Pe	8,63	7,75	6,92	6,13	5,37	4,64	3,93	3,26	2,62
	48	Qo		13243	11022	9062	7321	5779	4388	3127	
		Pe		8,27	7,31	6,40	5,53	4,70	3,92	3,18	
LB-Q728-0Y-2T	27	Qo	21986	18571	15512	12768	10342	8212	6364		
		Pe	6,76	6,35	5,92	5,46	4,98	4,48	3,98		
	32	Qo	20725	17485	14570	11969	9665	7632	5836		
		Pe	7,15	6,66	6,15	5,62	5,08	4,52	3,96		
	43	Qo	17896	15085	12509	10218	8167	6329	4669		
		Pe	8,21	7,47	6,75	6,03	5,31	4,60	3,90		
LBT-Q728-0Y-2T	38	Qo	20651	17236	14210	11545	9216	7170	5369		
		Pe	8,04	7,60	7,11	6,57	6,00	5,41	4,80		
	43	Qo	19332	16103	13238	10723	8504	6563	4805		
		Pe	8,50	7,96	7,38	6,76	6,11	5,44	4,77		
	48	Qo	18014	14970	12290	9920	7813	5956	4248		
		Pe	9,03	8,39	7,70	6,99	6,27	5,53	4,80		

① For performance data references see page 41.

■ Additional cooling required.

Performance R22 [50 Hz]

Condensing unit	Ambient temperature [°C]	Qo [Watt] = Cooling capacity Pe [kW] = Input power ①	Evaporating temperature [°C]								
			0	-5	-10	-15	-20	-25	-30	-35	-40
LB-Q533-0Y-2M	27	Qo		18642	16035	13591	11326	9249	7347	5627	4077
		Pe		7,80	7,20	6,57	5,90	5,23	4,55	3,87	3,21
	32	Qo		17436	15068	12798	10678	8699	6886	5226	3709
		Pe		8,27	7,60	6,91	6,19	5,46	4,71	3,97	3,24
	43	Qo		14440	12498	10648	8875	7209	5619	4146	2751
		Pe		9,04	8,28	7,47	6,64	5,77	4,90	4,02	3,16
LBT-Q533-0Y-2M	38	Qo		17881	15188	12723	10479	8435	6583	4896	3356
		Pe		8,34	7,79	7,17	6,49	5,77	5,02	4,25	3,47
	43	Qo		16573	14075	11786	9676	7754	6000	4382	2878
		Pe		8,77	8,15	7,46	6,72	5,93	5,11	4,26	3,41
	48	Qo		15086	12803	10687	8732	6943	5288	3746	
		Pe		9,14	8,45	7,70	6,88	6,02	5,13	4,21	
LB-Q733-0Y-2T	27	Qo	24721	21031	17720	14789	12209	9953	7972		
		Pe	7,31	6,91	6,52	6,13	5,72	5,30	4,85		
	32	Qo	23430	19949	16812	14022	11569	9409	7480		
		Pe	7,85	7,34	6,86	6,40	5,93	5,45	4,97		
	43	Qo	20567	17515	14763	12310	10120	8151	6374		
		Pe	9,25	8,47	7,77	7,11	6,47	5,87	5,28		
LBT-Q733-0Y-2T	38	Qo	23190	19554	16365	13567	11113	8958	7047		
		Pe	8,82	8,37	7,91	7,44	6,95	6,45	5,94		
	43	Qo	21859	18444	15429	12775	10447	8388	6536		
		Pe	9,44	8,87	8,31	7,76	7,20	6,64	6,09		
	48	Qo	20511	17307	14466	11964	9761	7788	5994		
		Pe	10,15	9,46	8,80	8,16	7,52	6,91	6,31		
LB-Q736-0Y-2T	27	Qo	27560	23673	20169	17036	14272	11835	9669		
		Pe	8,42	7,85	7,35	6,87	6,40	5,90	5,36		
	32	Qo	26228	22489	19160	16184	13544	11199	9105		
		Pe	9,07	8,40	7,79	7,22	6,67	6,10	5,51		
	43	Qo	23211	19870	16905	14240	11847	9716	7794		
		Pe	10,66	9,71	8,84	8,05	7,30	6,56	5,82		
LBT-Q736-0Y-2T	38	Qo	26096	22221	18768	15738	13070	10722	8633		
		Pe	10,00	9,40	8,83	8,28	7,71	7,12	6,49		
	43	Qo	24716	21006	17721	14839	12291	10040	8013		
		Pe	10,70	9,99	9,31	8,65	8,00	7,33	6,63		
	48	Qo	23310	19799	16680	13929	11496	9326	7372		
		Pe	11,47	10,62	9,83	9,07	8,32	7,57	6,81		
LB-S842-3Y-2T	27	Qo		25421	21686	18216	15049	12177	9605	7333	5359
		Pe		9,60	8,68	7,81	6,98	6,18	5,42	4,70	4,02
	32	Qo		23845	20315	17017	14022	11287	8821	6641	4732
		Pe		10,04	9,03	8,09	7,19	6,34	5,54	4,79	4,10
	43	Qo		20480	17412	14526	11863	9428	7233	5240	3450
		Pe		11,00	9,79	8,67	7,62	6,65	5,76	4,94	4,21
LBT-S842-3Y-2T	38	Qo		24068	20235	16759	13606	10783	8293	6084	4089
		Pe		10,85	9,92	9,02	8,14	7,30	6,49	5,72	5,03
	43	Qo		22463	18834	15548	12571	9929	7535	5430	3492
		Pe		11,30	10,28	9,30	8,35	7,44	6,59	5,79	5,08
	48	Qo		20878	17499	14401	11615	9106	6857	4845	
		Pe		11,75	10,64	9,57	8,54	7,58	6,68	5,85	
LB-S1242-3Y-2T	27	Qo	33727	28413	23618	19343	15593	12317	9488		
		Pe	10,20	9,52	8,85	8,18	7,49	6,80	6,10		
	32	Qo	31695	26679	22180	18163	14595	11477	8760		
		Pe	10,78	10,01	9,25	8,49	7,74	6,99	6,23		
	43	Qo	27124	22849	18954	15490	12398	9628	7182		
		Pe	12,02	11,04	10,10	9,17	8,26	7,37	6,51		
LBT-S1242-3Y-2T	38	Qo	29786	25023	20711	16895	13523	10555	7947		
		Pe	11,30	10,46	9,64	8,81	7,99	7,17	6,37		
	43	Qo	27679	23239	19245	15679	12513	9722	7234		
		Pe	11,87	10,94	10,02	9,12	8,23	7,35	6,50		
	48	Qo	25600	21491	17805	14497	11557	8951	6599		
		Pe	12,44	11,42	10,41	9,43	8,48	7,54	6,64		
LB-S1052-3Y-2T	27	Qo		30346	25890	21806	18021	14574	11477	8704	6239
		Pe		11,75	10,57	9,45	8,40	7,40	6,43	5,52	4,65
	32	Qo		28473	24285	20380	16811	13526	10572	7909	5530
		Pe		12,29	10,98	9,77	8,63	7,56	6,55	5,60	4,71
	43	Qo		24665	20925	17461	14274	11340	8672	6251	4052
		Pe		13,48	11,89	10,43	9,09	7,86	6,73	5,70	4,77
LBT-S1052-3Y-2T	38	Qo		29080	24455	20235	16430	13031	9998	7299	4837
		Pe		12,99	11,81	10,67	9,56	8,50	7,48	6,51	5,62
	43	Qo		27197	22804	18836	15223	11995	9101	6539	4128
		Pe		13,54	12,24	10,98	9,78	8,64	7,56	6,55	5,64
	48	Qo		25400	21260	17483	14075	11027	8274	5799	
		Pe		14,10	12,66	11,30	10,00	8,78	7,64	6,59	

① For performance data references see page 41.

■ Additional cooling required.

Performance R22 [50 Hz]

Condensing unit	Ambient temperature [°C]	Qo [Watt] = Cooling capacity Pe [kW] = Input power ①	Evaporating temperature [°C]								
			0	-5	-10	-15	-20	-25	-30	-35	-40
LB-S1552-3Y-2T	27	Qo	40751	34464	28678	23474	18874	14882	11482		
		Pe	12,42	11,46	10,54	9,65	8,77	7,89	7,01		
	32	Qo	38270	32317	26902	21998	17651	13858	10591		
		Pe	13,05	11,99	10,98	10,00	9,04	8,09	7,16		
	43	Qo	32732	27624	22982	18745	14984	11623	8710		
		Pe	14,41	13,14	11,92	10,76	9,63	8,56	7,51		
LBT-S1552-3Y-2T	38	Qo	36082	30407	25197	20526	16376	12755	9623		
		Pe	13,59	12,46	11,38	10,34	9,31	8,31	7,33		
	43	Qo	33529	28240	23413	19035	15148	11754	8801		
		Pe	14,22	12,99	11,81	10,69	9,59	8,53	7,49		
	48	Qo	31013	26094	21652	17604	14007	10825	8058		
		Pe	14,84	13,52	12,25	11,04	9,88	8,76	7,68		
LB-S1556-3Y-2T	27	Qo	42706	36369	30649	25468	20818	16721	13115	9968	7220
		Pe	14,59	13,30	12,09	10,94	9,85	8,80	7,81	6,87	6,02
	32	Qo	40280	34284	28771	23850	19424	15530	12088	9081	6436
		Pe	15,35	13,89	12,56	11,29	10,11	9,08	7,93	6,96	6,09
	43	Qo	35179	29757	24840	20414	16460	12971	9900	7193	4777
		Pe	17,11	15,29	13,62	12,08	10,66	9,35	8,16	7,10	6,18
LBT-S1556-3Y-2T	38	Qo	38319	32403	27067	22290	18026	14275	10975	8095	5530
		Pe	15,99	14,44	12,99	11,63	10,35	9,15	8,04	7,03	6,13
	43	Qo	36006	30361	25259	20715	16691	13123	9992	7255	4777
		Pe	16,80	15,08	13,49	12,00	10,61	9,33	8,15	7,09	6,18
	48	Qo		28390	23559	19250	15413	12063	9097	6493	
		Pe		15,79	14,04	12,41	10,92	9,54	8,30	7,20	
LB-S2056-3Y-2T	27	Qo	43751	37281	31484	26330	21615	17198	12869		
		Pe	13,99	12,93	11,96	10,99	10,01	8,97	7,86		
	32	Qo	41164	35002	29536	24647	20180	15939	11746		
		Pe	14,65	13,50	12,42	11,36	10,27	9,15	7,95		
	43	Qo	35411	30065	25360	21098	17188	13367	9468		
		Pe	16,07	14,67	13,34	12,04	10,74	9,41	8,04		
LBT-S2056-3Y-4T	38	Qo	40791	34318	28695	23708	19214	14968	10762		
		Pe	16,24	15,17	14,11	13,05	11,93	10,76	9,50		
	43	Qo	38080	31992	26704	22057	17804	13798	9729		
		Pe	16,91	15,72	14,55	13,36	12,15	10,87	9,53		
	48	Qo	35435	29770	24841	20488	16516	12708	8821		
		Pe	17,56	16,24	14,95	13,66	12,34	10,97	9,54		
LB-V2059-3Y-2T	27	Qo	44559	37881	32001	26823	22095	17618	13131		
		Pe	13,90	12,83	11,84	10,87	9,89	8,84	7,69		
	32	Qo	42060	35758	30200	25301	20789	16496	12150		
		Pe	14,71	13,52	12,44	11,37	10,29	9,14	7,90		
	43	Qo	36685	31137	26298	21995	17994	14089	10008		
		Pe	16,60	15,17	13,83	12,52	11,20	9,82	8,35		
LBT-V2059-3Y-4T	38	Qo	41816	35182	29453	24463	19946	15629	11266		
		Pe	16,29	15,22	14,19	13,15	12,05	10,87	9,58		
	43	Qo	39287	33031	27635	22935	18634	14531	10287		
		Pe	17,15	15,96	14,83	13,67	12,47	11,18	9,79		
	48	Qo	36760	30858	25830	21421	17369	13434	9338		
		Pe	18,07	16,78	15,51	14,24	12,93	11,54	10,03		
LB-V1571-3Y-2T	27	Qo		38668	33022	27753	22911	18463	14442	10842	7645
		Pe		17,48	15,36	13,38	11,53	9,82	8,22	6,72	5,32
	32	Qo		36610	31251	26206	21553	17268	13411	9938	6844
		Pe		18,33	16,12	14,05	12,11	10,29	8,58	6,97	5,45
	43	Qo				22858	18644	14752	11227	8029	5135
		Pe				15,40	13,30	11,30	9,39	7,58	5,86
LBT-V1571-3Y-2T	38	Qo		38327	32165	26558	21495	16969	12921	9341	6187
		Pe		18,49	16,60	14,77	13,00	11,28	9,63	8,02	6,46
	43	Qo		36199	30304	24984	20126	15776	11916	8444	5353
		Pe		19,37	17,38	15,44	13,58	11,77	10,01	8,31	6,68
	48	Qo			28531	23395	18774	14614	10899	7568	
		Pe			18,08	16,07	14,12	12,22	10,37	8,59	
LB-V2571-3Y-2T	27	Qo	51765	44164	37418	31400	25939	20701	15476		
		Pe	17,12	15,65	14,33	13,07	11,79	10,45	9,00		
	32	Qo	49089	41838	35434	29722	24473	19444	14348		
		Pe	18,12	16,51	15,05	13,66	12,26	10,80	9,24		
	43	Qo	43153	36724	31061	26015	21313	16697	11907		
		Pe	20,60	18,61	16,79	15,05	13,32	11,56	9,70		
LBT-V2571-3Y-4T	38	Qo	49346	41585	34899	28997	23669	18575	13418		
		Pe	19,52	18,10	16,75	15,42	14,02	12,54	10,92		
	43	Qo	46546	39233	32869	27279	22193	17314	12306		
		Pe	20,63	19,03	17,54	16,05	14,51	12,88	11,13		
	48	Qo	43817	36859	30846	25566	20713	16029	11135		
		Pe	21,80	20,05	18,39	16,74	15,05	13,26	11,36		

① For performance data references see page 41.

■ Additional cooling required.

Performance R22 [50 Hz]

Condensing unit	Ambient temperature [°C]	Qo [Watt] = Cooling capacity Pe [kW] = Input power ①	Evaporating temperature [°C]								
			0	-5	-10	-15	-20	-25	-30	-35	-40
LB-V2084-3Y-2T	27	Qo		49562	41899	34938	28667	23081	18127	13740	9855
		Pe		20,04	17,70	15,68	13,89	12,22	10,62	8,98	7,24
	32	Qo		46989	39684	33010	27034	21669	16905	12669	8876
		Pe		21,33	18,83	16,64	14,66	12,82	11,02	9,20	7,26
	43	Qo		41821	35181	29132	23678	18771	14372	10400	6762
		Pe		24,32	21,47	18,91	16,56	14,33	12,13	9,88	7,52
LBT-V2084-3Y-4T	38	Qo		47182	39359	32425	26267	20815	16004	11758	7859
		Pe		22,73	20,50	18,46	16,56	14,72	12,88	10,93	8,85
	43	Qo		44706	37254	30618	24700	19460	14851	10718	6838
		Pe		24,08	21,69	19,49	17,44	15,44	13,39	11,27	9,01
	48	Qo		42373	35237	28893	23241	18205	13712	9686	
		Pe		25,47	22,93	20,57	18,34	16,17	13,97	11,66	
LB-V3084-3Y-4T	27	Qo	63677	53954	45505	38048	31334	25030	18781		
		Pe	20,70	19,17	17,78	16,45	15,11	13,69	12,15		
	32	Qo	60397	51119	43092	36018	29605	23563	17485		
		Pe	21,94	20,25	18,71	17,25	15,79	14,26	12,63		
	43	Qo	53359	45118	38007	31724	26007	20479	14807		
		Pe	25,00	22,89	20,98	19,19	17,42	15,63	13,75		
LB-Z25106-3Y-4T	27	Qo		52873	44199	36265	29027	22545	16798	11825	
		Pe		22,31	19,65	17,12	14,74	12,49	10,37	8,36	
	32	Qo		49971	41736	34097	27162	20944	15401	10566	
		Pe		23,55	20,71	18,03	15,46	13,03	10,73	8,55	
	43	Qo					29480	23197	17527	12462	
		Pe					19,90	17,04	14,28	11,66	
LBT-Z25106-3Y-4T	38	Qo				40389	32702	25776	19581	14100	9330
		Pe				23,02	20,35	17,76	15,27	12,87	10,56
	43	Qo				37923	30594	23970	18008	12776	
		Pe				24,03	21,22	18,48	15,85	13,30	
	48	Qo					28504	22161	16477		
		Pe					22,00	19,15	16,38		
LB-Z30126-3Y-4T	27	Qo		69747	59580	50116	41326	33290	26063	19676	14156
		Pe		30,51	26,91	23,53	20,39	17,46	14,71	12,07	9,49
	32	Qo		65988	56347	47285	38951	31263	24345	18217	12897
		Pe		32,18	28,47	24,95	21,60	18,45	15,44	12,52	9,65
	43	Qo			49417	41390	33900	27043	20779	15196	-
		Pe			31,54	27,81	24,18	20,64	17,19	13,77	-
LBT-Z30126-3Y-4T	38	Qo		65499	55448	46142	37624	29898	23002	16942	11681
		Pe		34,13	30,63	27,27	24,03	20,89	17,81	14,75	11,67
	43	Qo		61821	52251	43411	35282	27973	21370	15565	
		Pe		35,66	32,09	28,61	25,23	21,90	18,63	15,35	
	48	Qo			49052	40677	33025	26039	19784		
		Pe			33,42	29,86	26,34	22,88	19,42		

① References of performance data:

Data published are based on suction gas temperature of 20°C and 3K liquid subcooling; Frequency 50 Hz. For calculating the performance at other conditions and 60 Hz, use Frascold Selection Software.

■ Additional cooling required.

Verify compliance with Directive 2009/125/EC Ecodesign - Regulation EU 2015/1095, refer to the manual FTEC030 or use the FSS3 selection program available from Frascold web site.

Dimensions

Condensing unit	Standard construction ①									Unit with Housing ②							
	Overall dimensions			Condenser dimensions		Fixing holes position		Drawing		Overall dimensions				Drawing		Housing	
	Length	Width	Height	Length	Height	Distance between holes	Distance from side A	Ref.	Page	Length	Width (base)	Width (max)	Height	Ref.	Page	Weight	Code
	A mm	B mm	C mm	D mm	E mm	F mm	G mm	Nr.	Nr.	A mm	B mm	C mm	D mm	Nr.	Nr.	kg	
LB-A075-0Y-1M	562	700	475	500	420	585	57,5	1	46	512	702	723	450	1	46	19	USH0U21
LB1-A075-0Y-2M	796	620	418	734	365	475	72,5	2	46	746	622	643	395	2	46	20	USH0U18
LBT-A075-0Y-2M	987	700	506	850	450	555	72,5	3	47	937	702	723	478	3	47	27	USH0U17
LB-A106-0Y-1M	562	700	475	500	420	585	57,5	1	46	512	702	723	450	1	46	19	USH0U21
LB-A106-0Y-2M	796	620	418	734	365	475	72,5	2	46	746	622	643	395	2	46	20	USH0U18
LBT-A106-0Y-2M	987	700	506	850	450	555	72,5	3	47	937	702	723	478	3	47	27	USH0U17
LB-A107-0Y-1M	562	700	473	500	420	585	57,5	1	46	512	702	723	450	1	46	19	USH0U21
LB-A107-0Y-2M	796	620	418	734	365	475	72,5	2	46	746	622	643	395	2	46	20	USH0U18
LBT-A107-0Y-2M	987	700	506	850	450	555	72,5	3	47	937	702	723	478	3	47	27	USH0U17
LB-A157-0Y-1M	762	700	531	700	478	485	107,5	1	46	712	702	723	503	1	46	24	USH0U20
LB-A157-0Y-2M	796	620	418	734	365	475	72,5	2	46	746	622	643	395	2	46	20	USH0U18
LBT-A157-0Y-2M	987	700	506	850	450	555	72,5	3	47	937	702	723	478	3	47	27	USH0U17
LB-B159-0Y-1M	562	700	473	500	420	585	57,5	1	46	512	702	723	450	1	46	19	USH0U21
LB-B159-0Y-2M	796	620	418	734	365	475	72,5	2	46	746	622	643	395	2	46	20	USH0U18
LBT-B159-0Y-2M	987	700	506	850	450	555	72,5	3	47	937	702	723	478	3	47	27	USH0U17
LB-B210-0Y-1M	762	700	531	700	478	485	107,5	1	46	712	702	723	503	1	46	24	USH0U20
LB-B210-0Y-2M	796	620	418	734	365	475	72,5	2	46	746	622	643	395	2	46	20	USH0U18
LBT-B210-0Y-2M	987	700	506	850	450	555	72,5	3	47	937	702	723	478	3	47	27	USH0U17
LB-D211-0Y-1M	762	700	531	700	478	485	107,5	4	48	712	702	723	503	4	48	24	USH0U20
LB-D211-0Y-2M	987	700	506	925	453	555	72,5	5	48	937	702	723	478	5	48	27	USH0U17
LBT-D211-0Y-2M	1.060	760	575	998	522	615	72,5	6	49	1.010	762	783	547	6	49	33	USH0U16
LB-D213-0Y-1M	762	700	531	700	478	485	107,5	4	48	712	702	723	503	4	48	24	USH0U20
LB-D213-0Y-2M	987	700	506	925	453	555	72,5	5	48	937	702	723	478	5	48	27	USH0U17
LBT-D213-0Y-2M	1.060	760	575	998	522	615	72,5	6	49	1.010	762	783	547	6	49	33	USH0U16
LB-D313-0Y-1M	762	700	531	700	478	485	107,5	4	48	712	702	723	503	4	48	24	USH0U20
LB-D313-0Y-2M	987	700	506	925	453	555	72,5	5	48	937	702	723	478	5	48	27	USH0U17
LBT-D313-0Y-2T	1.420	760	689	1.358	522	615	72,5	6	49	1.370	762	783	660	6	49	44	USH0U15
LB-D316-0Y-1M	762	700	531	700	478	485	107,5	4	48	712	702	723	503	4	48	24	USH0U20
LB-D316-0Y-2M	987	700	506	925	453	555	72,5	5	48	937	702	723	478	5	48	27	USH0U17
LBT-D316-0Y-2T	1.420	760	689	1.358	522	615	72,5	6	49	1.370	762	783	660	6	49	44	USH0U15
LB-D416-0Y-1M	762	700	531	700	478	485	107,5	4	48	712	702	723	503	4	48	24	USH0U20
LB-D416-0Y-2M	1.060	760	575	998	522	615	72,5	5	48	1.010	762	783	547	5	48	33	USH0U16
LBT-D416-0Y-2T	1.420	760	689	1.358	522	615	72,5	6	49	1.370	762	783	660	6	49	44	USH0U15
LB-D318-0Y-1M	762	700	531	700	478	485	107,5	4	48	712	702	723	503	4	48	24	USH0U20
LB-D318-0Y-2M	987	700	506	925	453	555	72,5	5	48	937	702	723	478	5	48	27	USH0U17
LBT-D318-0Y-2M	1.060	760	575	998	522	615	72,5	6	49	1.010	762	783	547	6	49	33	USH0U16
LB-Q420-0Y-2M	1.060	760	575	998	522	615	72,5	7	50	1.010	762	783	547	7	50	33	USH0U16
LBT-Q420-0Y-2T	1.420	760	689	1.358	522	615	72,5	8	50	1.370	762	783	660	8	50	44	USH0U15
LB-Q521-0Y-2T	1.420	760	689	1.358	635	615	72,5	7	50	1.370	762	783	660	7	50	44	USH0U15
LBT-Q521-0Y-2T	1.570	830	864	1.508	810	665	72,5	8	50	1.520	832	853	835	8	50	54	USH0U14
LB-Q424-0Y-2M	1.060	760	575	998	522,0	615	72,5	7	50	1.010	762	783	547	7	50	33	USH0U16
LBT-Q424-0Y-2T	1.420	760	689	1.358	522,0	615	72,5	8	50	1.370	762	783	660	8	50	44	USH0U15
LB-Q524-0Y-2M	1.060	760	575	998	522,0	615	72,5	7	50	1.010	762	783	547	7	50	33	USH0U16
LBT-Q524-0Y-2T	1.420	760	689	1.358	522,0	615	72,5	8	50	1.370	762	783	660	8	50	44	USH0U15

① Condensing Unit without Protecting Housing

② Condensing Unit with Protecting Housing (supplied loose) see page 44

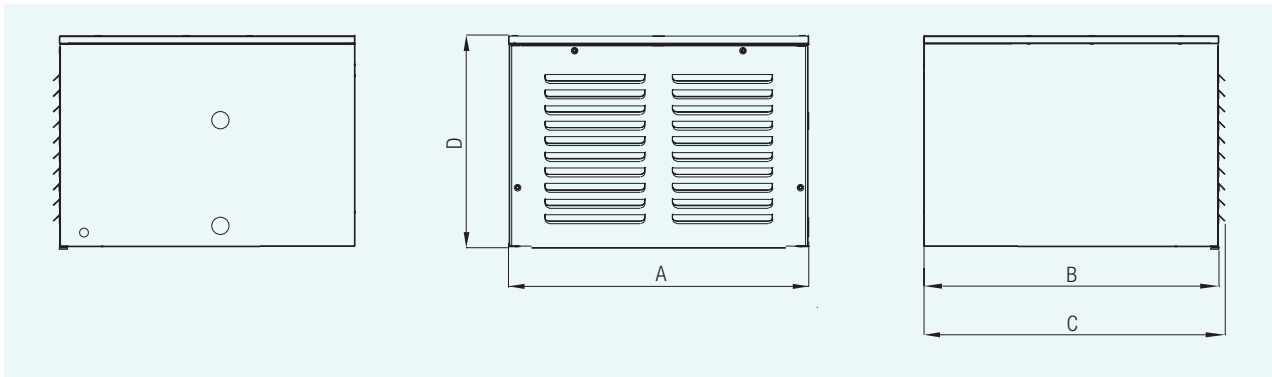
Dimensions

Condensing unit	Standard construction ①									Unit with Housing ②							
	Overall dimensions			Condenser dimensions		Fixing holes position		Drawing		Overall dimensions				Drawing		Housing	
	Length	Width	Height	Length	Height	Distance between holes	Distance from side A	Ref.	Page	Length	Width (base)	Width (max)	Height	Ref.	Page	Weight	Code
	A mm	B mm	C mm	D mm	E mm	F mm	G mm	Nr.	Nr.	A mm	B mm	C mm	D mm	Nr.	Nr.	kg	
LB-Q528-0Y-2M	1.060	760	575	998	522	615	72,5	7	50	1.010	762	783	547	7	50	33	USH0U16
LBT-Q528-0Y-2T	1.420	760	689	1.358	522	615	72,5	8	50	1.370	762	783	660	8	50	44	USH0U15
LB-Q728-0Y-2T	1.420	760	689	1.358	635	615	72,5	7	50	1.370	762	783	660	7	50	44	USH0U15
LBT-Q728-0Y-2T	1.570	830	864	1.508	810	665	72,5	8	50	1.520	832	853	835	8	50	54	USH0U14
LB-Q533-0Y-2M	1.060	760	575	998	522	615	72,5	7	50	1.010	762	783	547	7	50	33	USH0U16
LBT-Q533-0Y-2T	1.420	760	689	1.358	522	615	72,5	8	50	1.370	762	783	660	8	50	44	USH0U15
LB-Q733-0Y-2T	1.420	760	689	1.358	635	615	72,5	7	50	1.370	762	783	660	7	50	44	USH0U15
LBT-Q733-0Y-2T	1.570	830	864	1.508	810	665	72,5	8	50	1.520	832	853	835	8	50	54	USH0U14
LB-Q536-0Y-2T	1.420	760	689	1.358	635	615	72,5	7	50	1.370	762	783	660	7	50	44	USH0U15
LBT-Q536-0Y-2T	1.570	830	864	1.508	810	665	72,5	8	50	1.520	832	853	835	8	50	54	USH0U14
LB-Q736-0Y-2T	1.420	760	689	1.358	635	615	72,5	7	50	1.370	762	783	660	7	50	44	USH0U15
LBT-Q736-0Y-2T	1.570	830	864	1.508	810	665	72,5	8	50	1.520	832	853	835	8	50	54	USH0U14
LB-S842-3Y-2T	1.420	760	689	1.358	635	615	72,5	9	51	1.370	812	833	660	9	51	45	USH0U13
LBT-S842-3Y-2T	1.570	830	864	1.508	810	685	72,5	10	51	1.520	832	853	835	10	51	54	USH0U14
LB-S1242-3Y-2T	1.570	830	864	1.508	810	685	72,5	9	51	1.520	832	853	835	9	51	54	USH0U14
LBT-S1242-3Y-2T	1.570	830	864	1.508	810	685	72,5	10	51	1.520	832	853	835	10	51	54	USH0U14
LB-S1052-3Y-2T	1.420	760	689	1.358	635	615	72,5	9	51	1.370	812	833	660	9	51	45	USH0U13
LBT-S1052-3Y-2T	1.570	830	864	1.508	810	685	72,5	10	51	1.520	832	853	835	10	51	54	USH0U14
LB-S1552-3Y-2T	1.570	830	864	1.508	810	685	72,5	9	51	1.520	832	853	835	9	51	54	USH0U14
LBT-S1552-3Y-2T	1.570	830	864	1.508	810	685	72,5	10	51	1.520	832	853	835	10	51	54	USH0U14
LB-S1556-3Y-2T	1.570	830	864	1.508	810	685	72,5	9	51	1.520	832	853	835	9	51	54	USH0U14
LBT-S1556-3Y-2T	1.570	830	864	1.508	810	685	72,5	10	51	1.520	832	853	835	10	51	54	USH0U14
LB-S2056-3Y-2T	1.570	830	864	1.508	810	685	72,5	9	51	1.520	832	853	835	9	51	54	USH0U14
LBT-S2056-3Y-4T	1.420	950	1.315	1.358	1.260	805	72,5	11	52	-	-	-	-	11	52	-	n.d.
LB-V2059-3Y-2T	1.570	915	885	1.508	810	685	72,5	13	53	1.520	917	938	835	13	53	59	USH0U22
LBT-V2059-3Y-4T	1.420	950	1.315	1.358	1.260	805	72,5	14	54	-	-	-	-	14	54	-	n.d.
LB-V1571-3Y-2T	1.420	915	690	1.358	635	685	72,5	12	53	1.370	917	838	880	12	53	48	USH0U23
LBT-V1571-3Y-2T	1.570	915	885	1.508	810	685	72,5	13	53	1.520	917	938	835	13	53	59	USH0U22
LB-V2571-3Y-2T	1.570	915	885	1.508	810	685	72,5	13	53	1.520	917	938	835	13	53	59	USH0U22
LBT-V2571-3Y-4T	1.420	950	1.315	1.358	1.260	805	72,5	14	54	-	-	-	-	14	54	-	n.d.
LB-V2084-3Y-2T	1.570	915	885	1.508	810	685	72,5	13	53	1.520	917	938	835	13	53	59	USH0U22
LBT-V2084-3Y-4T	1.420	950	1.315	1.358	1.260	805	72,5	14	54	-	-	-	-	14	54	-	n.d.
LB-V3084-3Y-4T	1.420	950	1.315	1.358	1.260	805	72,5	14	54	-	-	-	-	14	54	-	n.d.
LB-Z25106Y-3Y-4T	1.420	950	1.315	1.358	1.260	805	72,5	15	55	-	-	-	-	15	55	-	n.d.
LBT-Z25106-3Y-4T	1.420	950	1.315	1.358	1.260	805	72,5	15	55	-	-	-	-	15	55	-	n.d.
LB-Z30126Y-3Y-4T	1.420	950	1.315	1.358	1.260	805	72,5	15	55	-	-	-	-	15	55	-	n.d.
LBT-Z30126-3Y-4T	1.420	950	1.315	1.358	1.260	805	72,5	15	55	-	-	-	-	15	55	-	n.d.

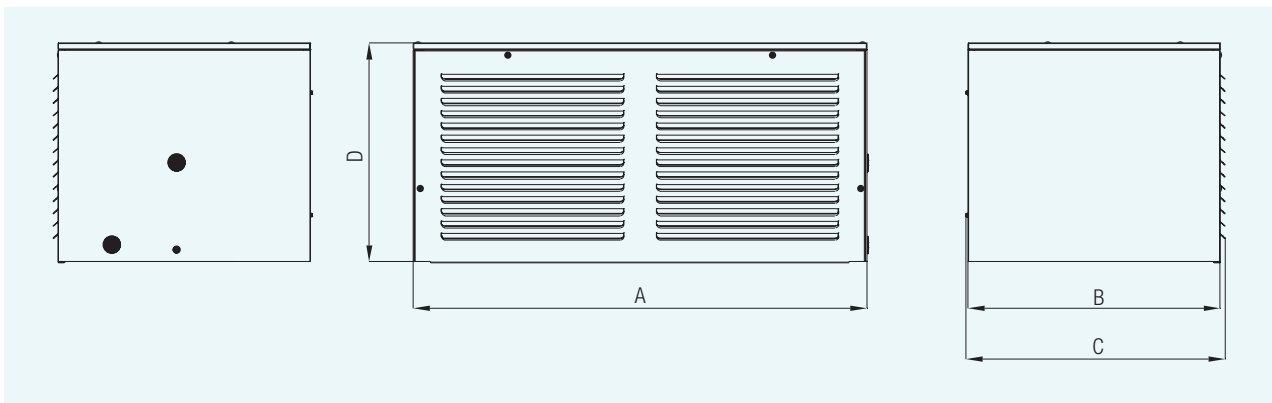
① Condensing Unit without Protecting Housing

② Condensing Unit with Protecting Housing (supplied loose) see page 44

Dimensional drawings - Housing



Housing code	Length	Width (base)	Width (max)	Height	Weight
	A	B	C	D	kg
USHOU20	712	702	723	503	24
USHOU21	512	702	723	450	19



Housing code	Length	Width (base)	Width (max)	Height	Weight
	A	B	C	D	kg
USHOU13	1370	812	833	660	45
USHOU14	1520	832	853	835	54
USHOU15	1370	762	783	660	44
USHOU16	1010	762	783	547	33
USHOU17	937	702	723	478	27
USHOU18	746	622	643	395	20
USHAOU22	1520	917	938	835	60
USHAOU23	1370	917	938	660	49
USHAOU24	1370	1012	1033	660	53
USHAOU25	1520	1117	1138	835	68

Dimensional drawings - Positions and dimensions

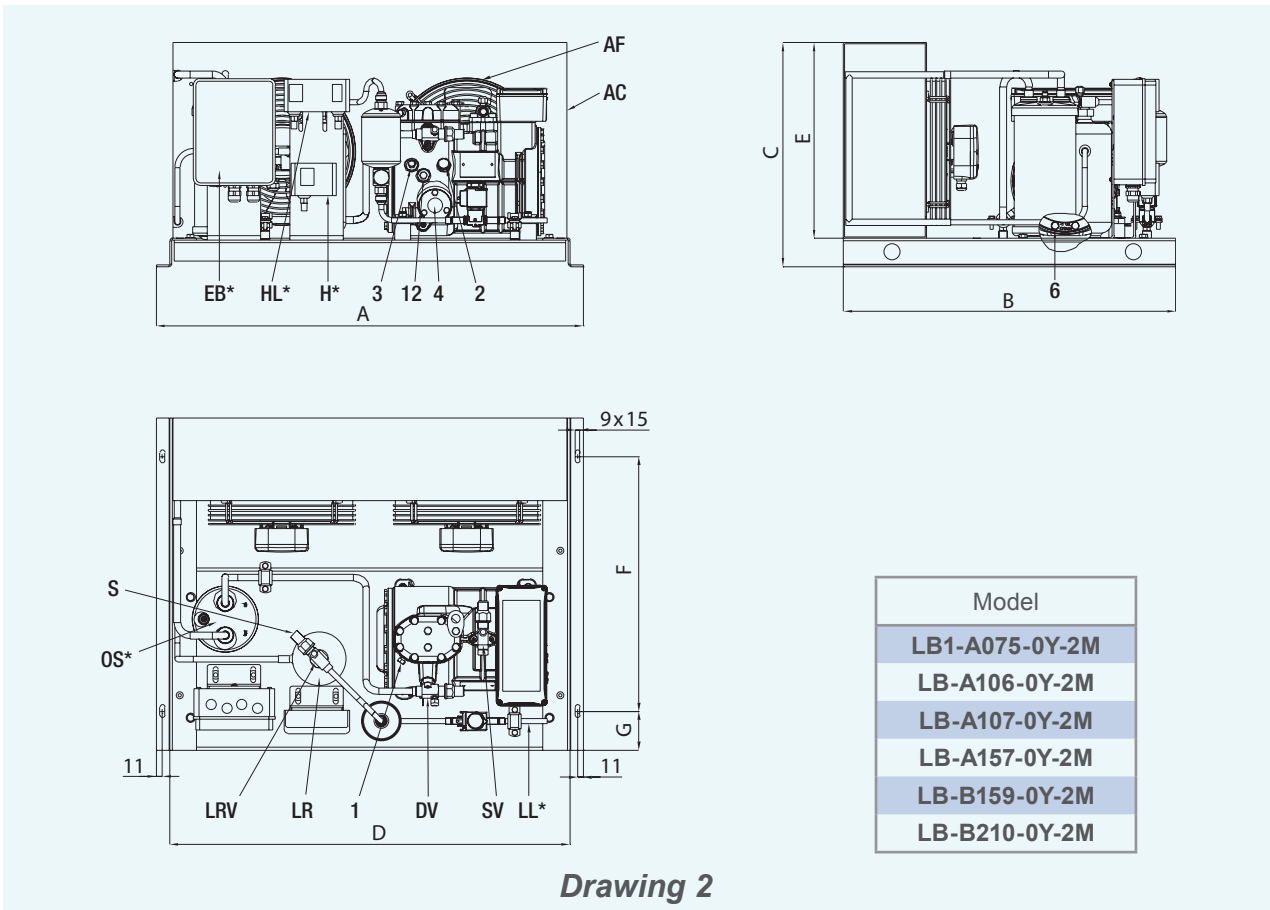
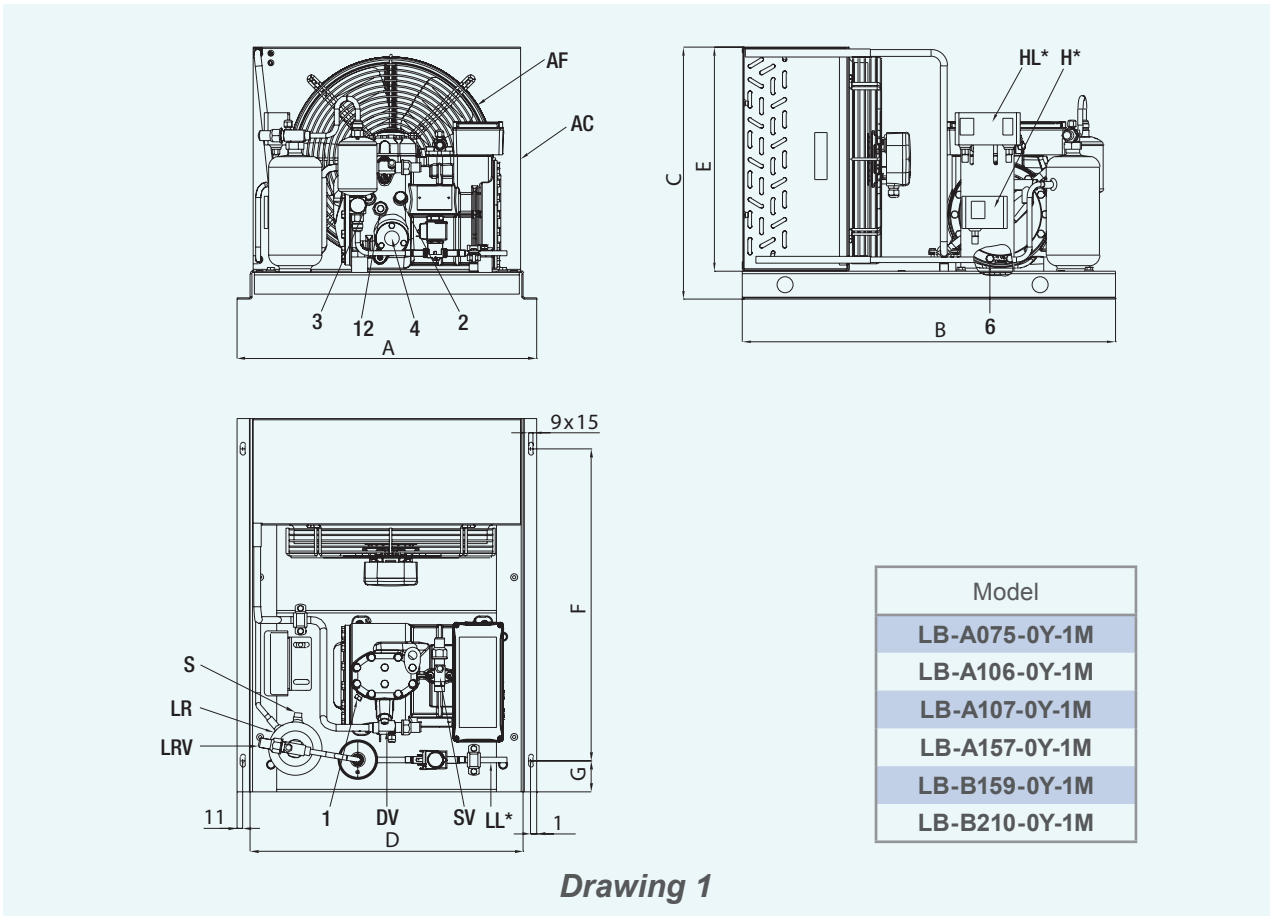
Condensing units model			LB-A...1	LB-A...2	LB-B...1	LB-B...2	LB-D...1	LB-D...2	LB-Q...2	LB-S...2	LB-T-S...4	LB-V...2	LB-V...4	LB-Z...4
Pos.	Components													
1	High-pressure plug	NPT	1/8"	1/8"	1/8"	1/8"	1/8"	1/8"	1/8"	1/8"	1/8"	1/8"	1/8"	1/8"
2	Low-pressure plug	NPT	1/8"	1/8"	1/8"	1/8"	1/8"	1/8"	1/8"	1/8"	1/8"	1/4"	1/4"	1/4"
3	Oil filling plug	GAS	1/4"	1/4"	1/4"	1/4"	1/4"	1/4"	1/4"	1/4"	1/4"	3/4"	3/4"	3/4"
4	Oil level indicator													
5	Oil heating resistor housing													
6	Oil drain plug	ISO4017	M8 x 22						M10 x 30					
6	Oil drain plug	GAS										3/8"	3/8"	3/8"
7	Connection for liquid injection valve	NPT							1/8"	1/4"	1/4"	1/8"	1/8"	1/8"
8	Connection for liquid injection sensor	NPT							1/8"	1/8"	1/8"	1/8"	1/8"	1/8"
9	Oil pressure switch connection (LP)	SAE										1/4"	1/4"	1/4"
10	Oil pressure switch connection (HP)	SAE										1/4"	1/4"	1/4"
12	Oil return plug	NPT	1/8"	1/8"	1/8"	1/8"	1/8"	1/8"	1/8"	1/4"	1/4"	1/4"	1/4"	1/4"
14	Max discharge temperature sensor plug													
AC	Air-cooled condensing unit		②	②	②	②	②	②	②	②	②	②	②	②
AF	Fan motor		②	②	②	②	②	②	②	②	②	②	②	②
DV	Compression valve		③	③	③	③	③	③	③	③	③	③	③	③
LR	Liquid receiver		③	③	③	③	③	③	③	③	③	③	③	③
LRV	Liquid receiver valve		③	③	③	③	③	③	③	③	③	③	③	③
SV	Suction valve		③	③	③	③	③	③	③	③	③	③	③	③
OS	Oil separator		①	①	①	①	①	①	①	①	①	①	①	①
EB	Electric box		①	①	①	①	①	①	①	①	①	①	①	①
HL	High/low pressure switch		①	①	①	①	①	①	①	①	①	①	①	①
H	High pressure switch		①	①	①	①	①	①	①	①	①	①	①	①
LL	Liquid line		①	①	①	①	①	①	①	①	①	①	①	①
S	Safety valve connection		③	③	③	③	③	③	③	③	③	③	③	③
SC	Fan motor speed controller		①	①	①	①	①	①	①	①	①	①	①	①

① Optional components supplied on request.

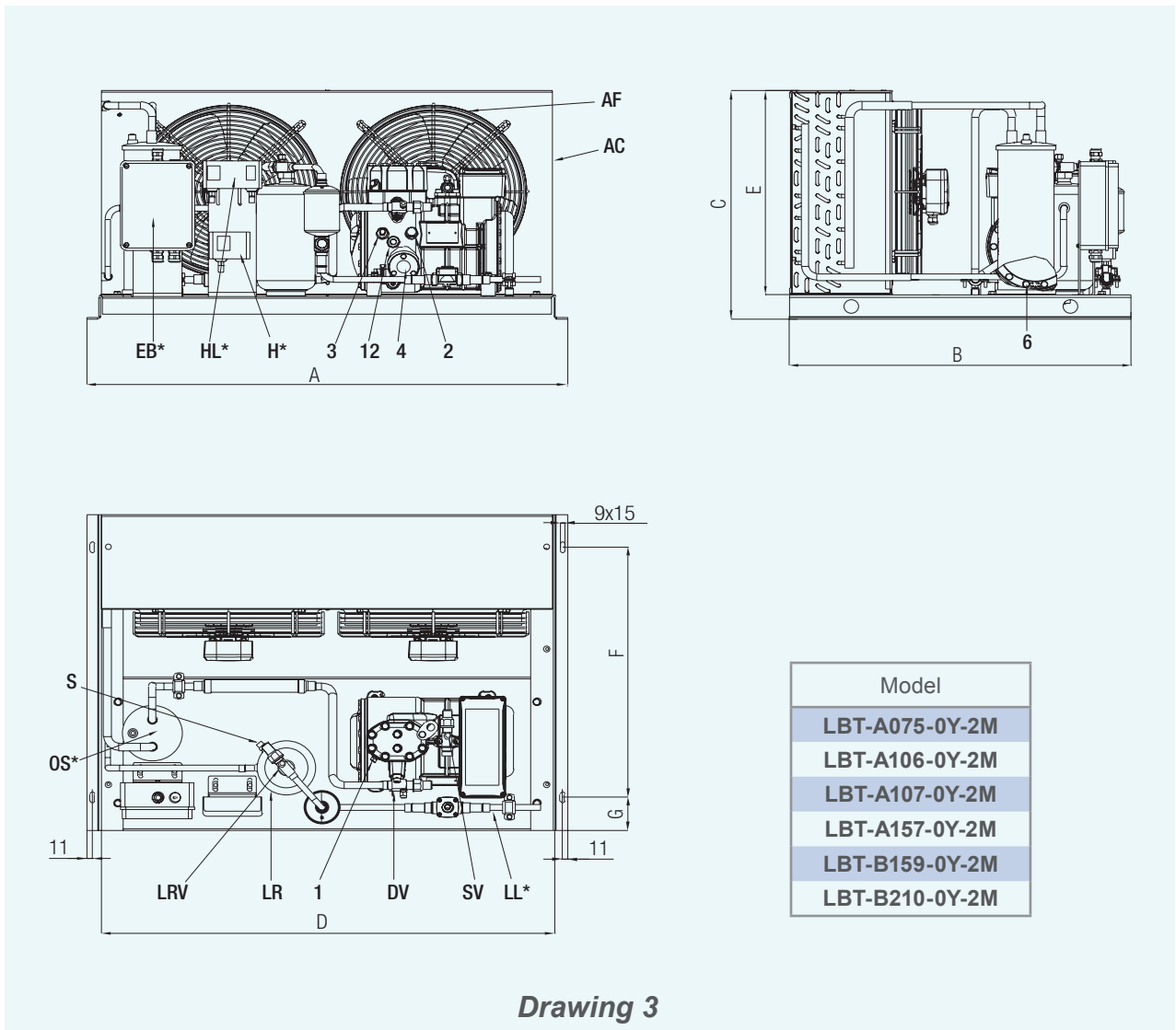
② See pages 8 and 9.

③ See pages 10 and 11.

Dimensional drawings

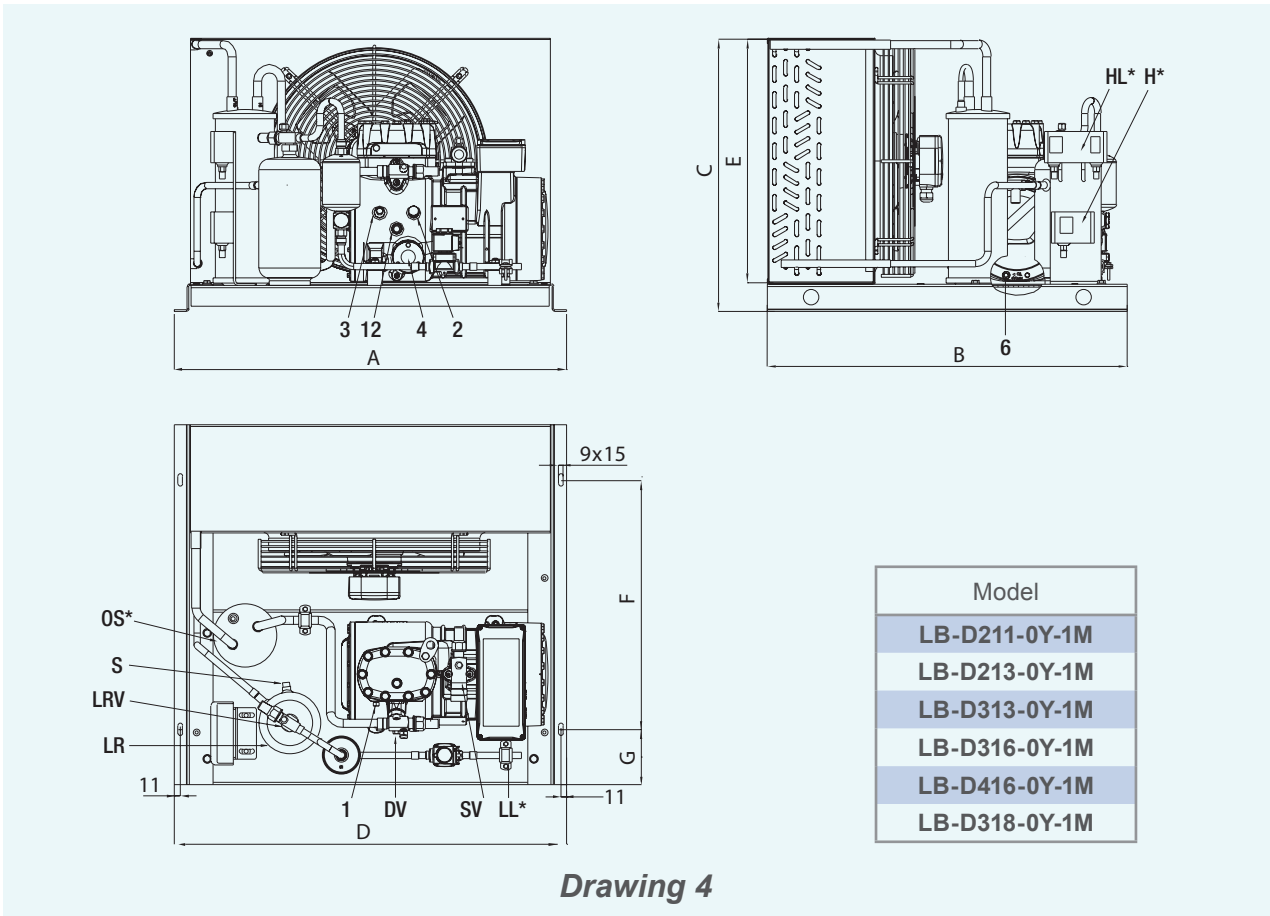


Dimensional drawings

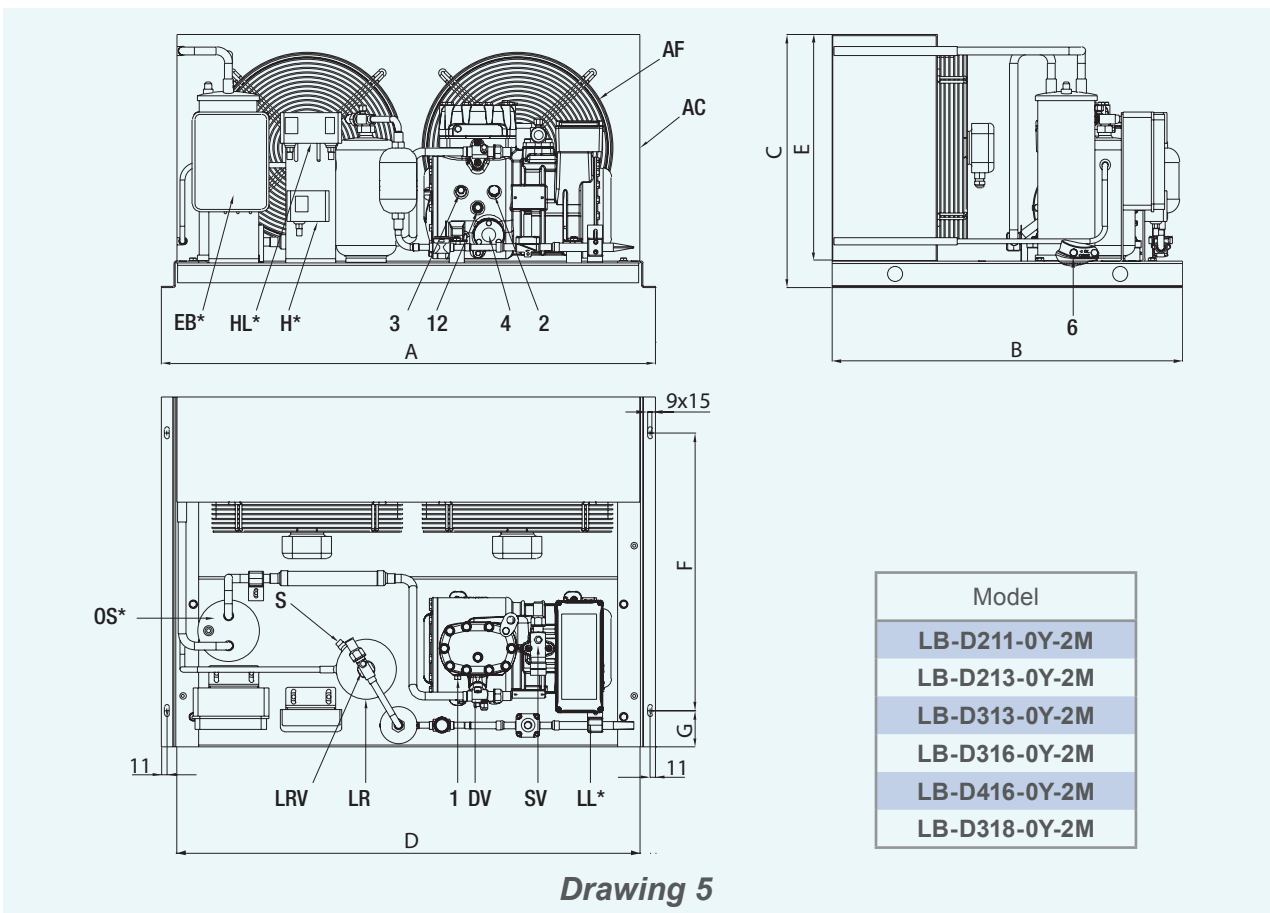


Drawing 3

Dimensional drawings

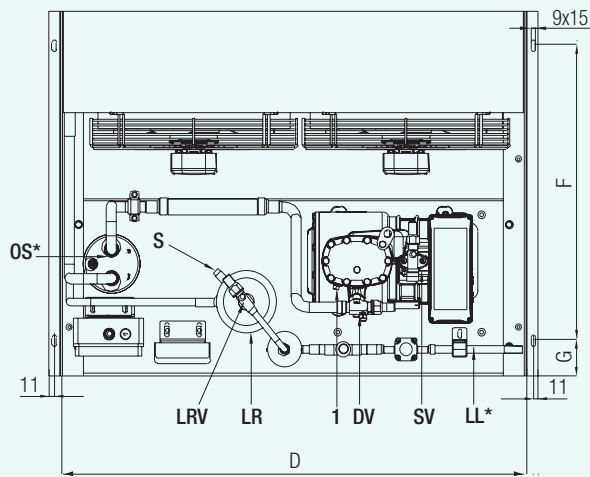
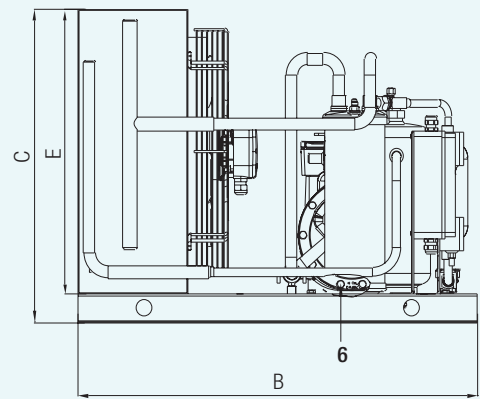
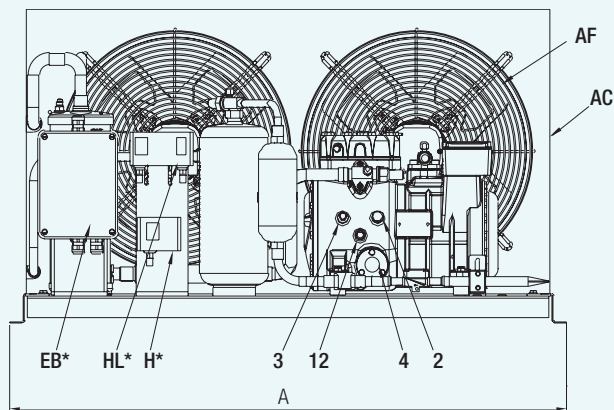


Drawing 4



Drawing 5

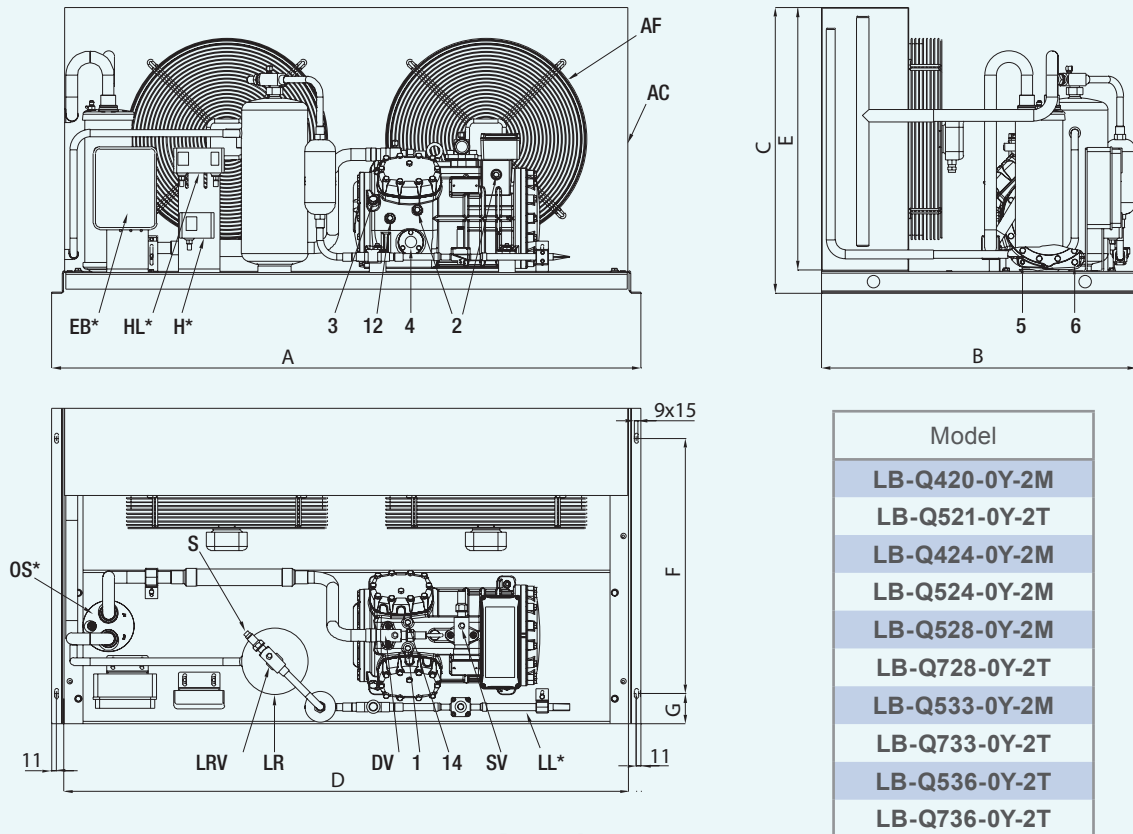
Dimensional drawings



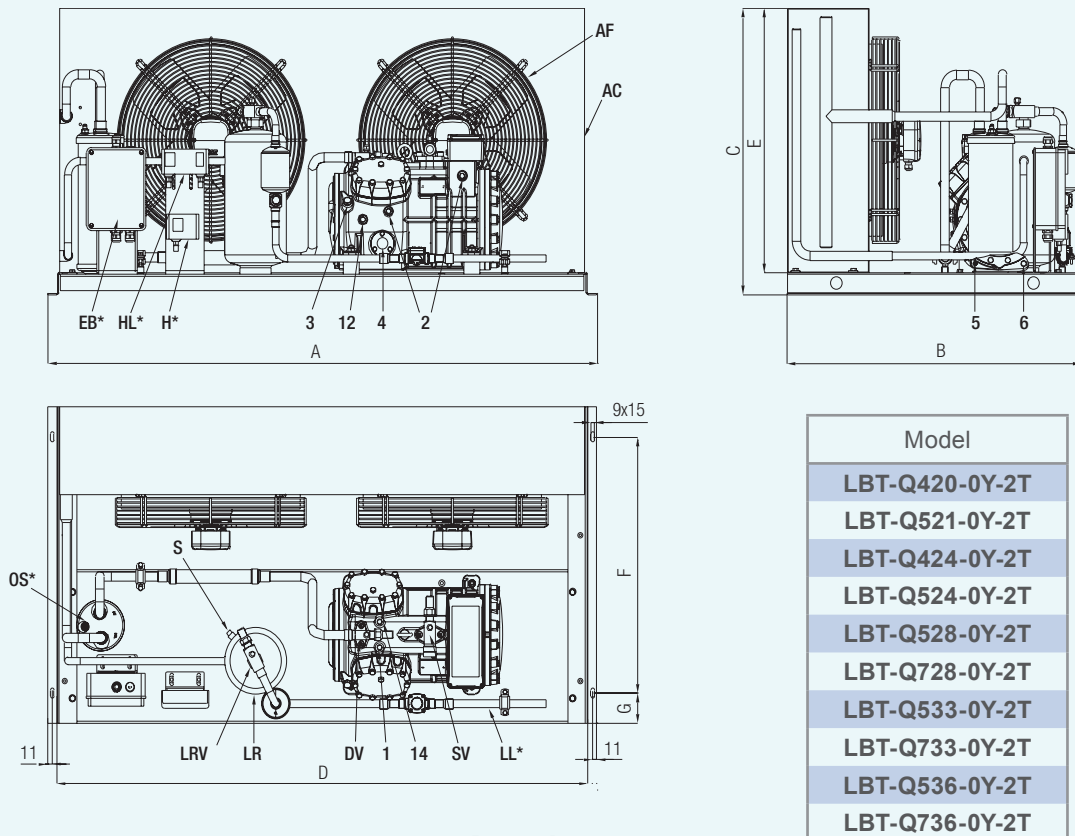
Model
LBT-D211-0Y-2M
LBT-D213-0Y-2M
LBT-D313-0Y-2T
LBT-D316-0Y-2T
LBT-D416-0Y-2T
LBT-D318-0Y-2M

Drawing 6

Dimensional drawings

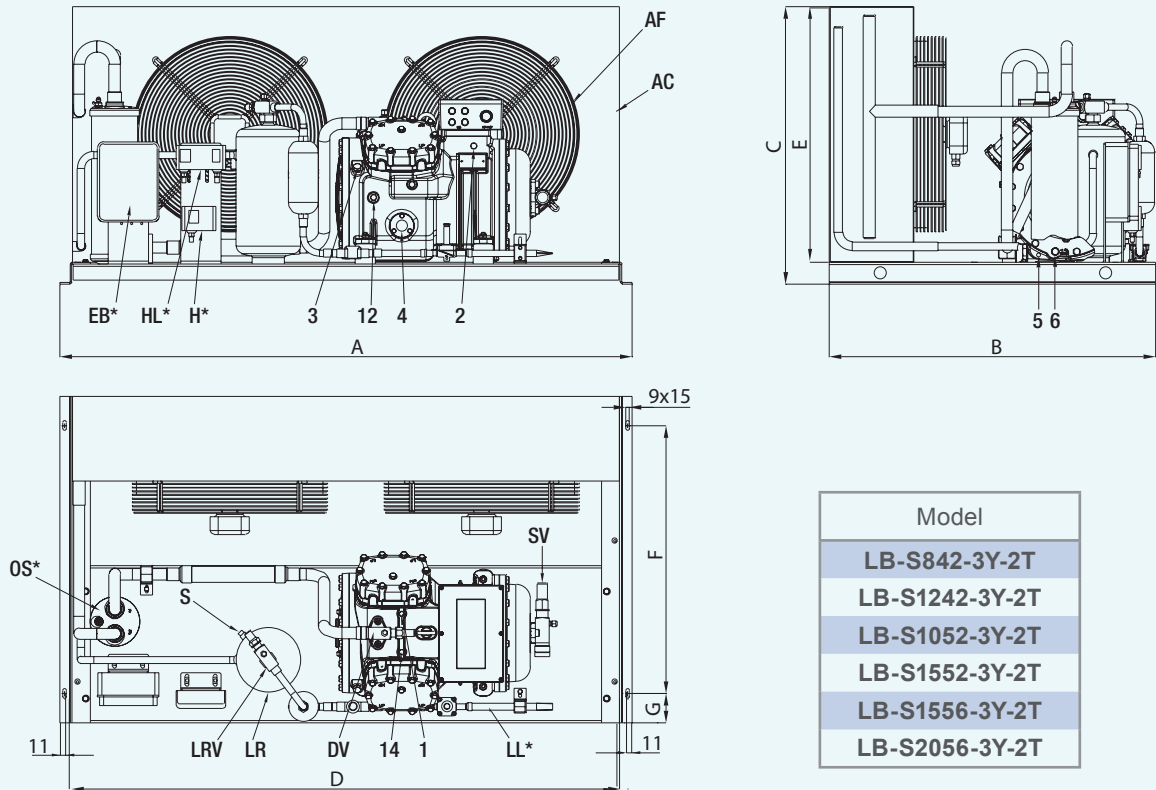


Drawing 7

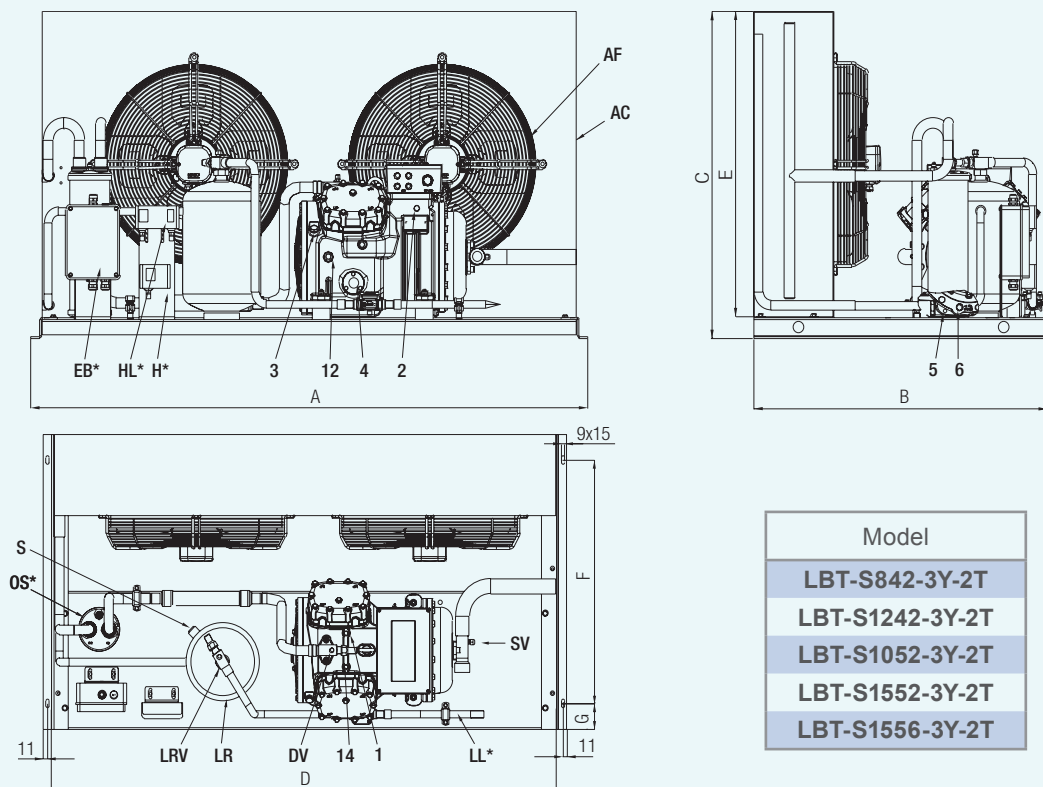


Drawing 8

Dimensional drawings

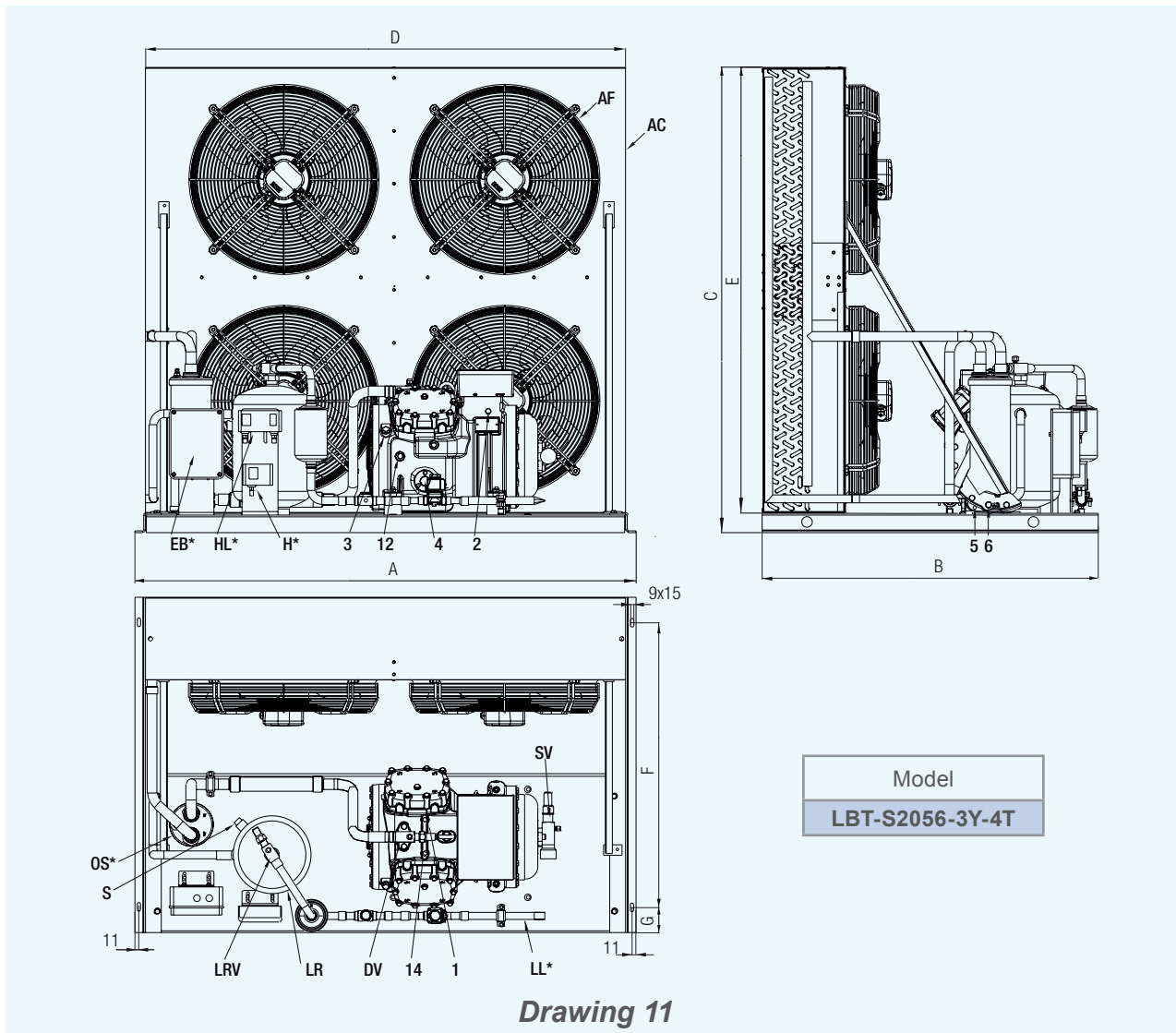


Drawing 9

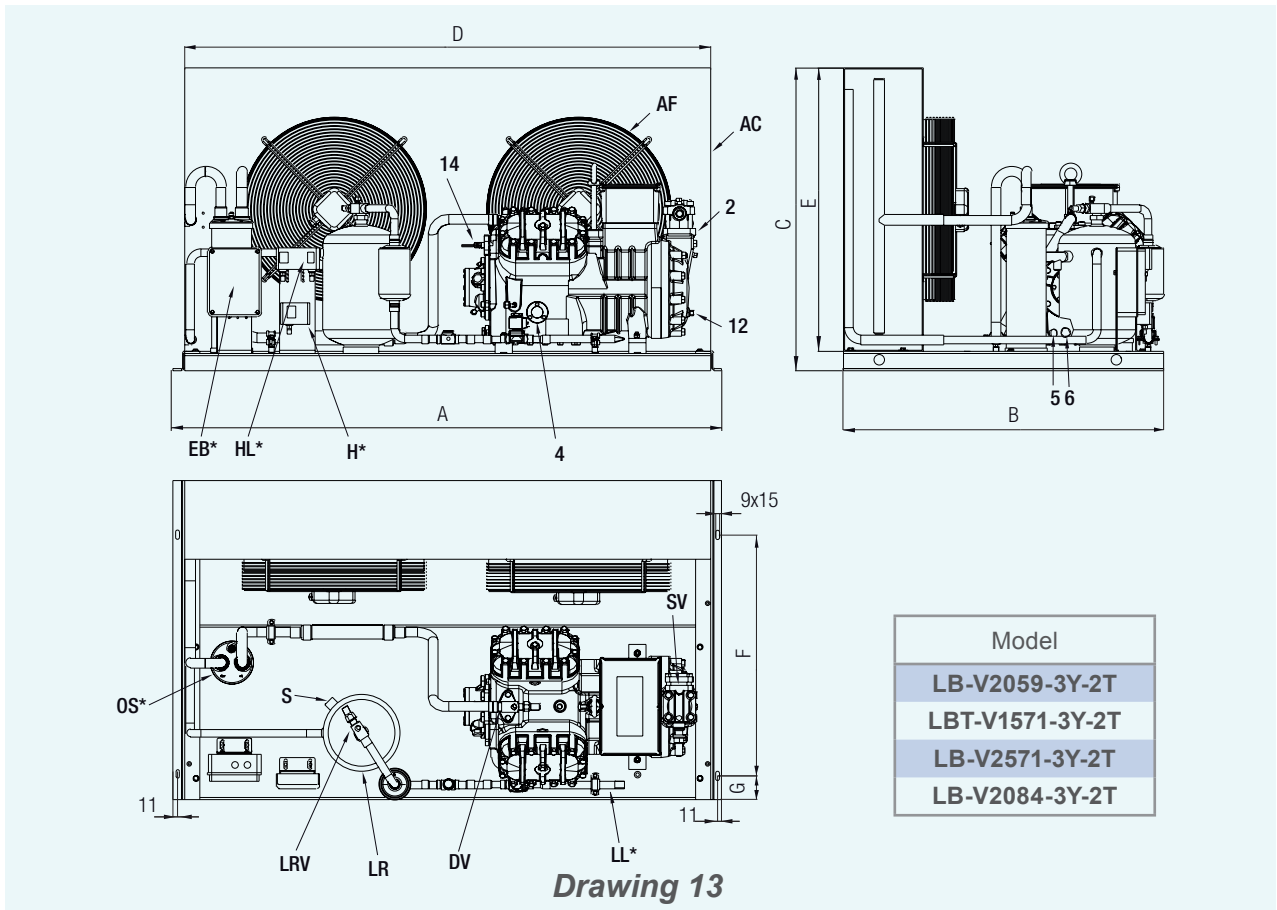
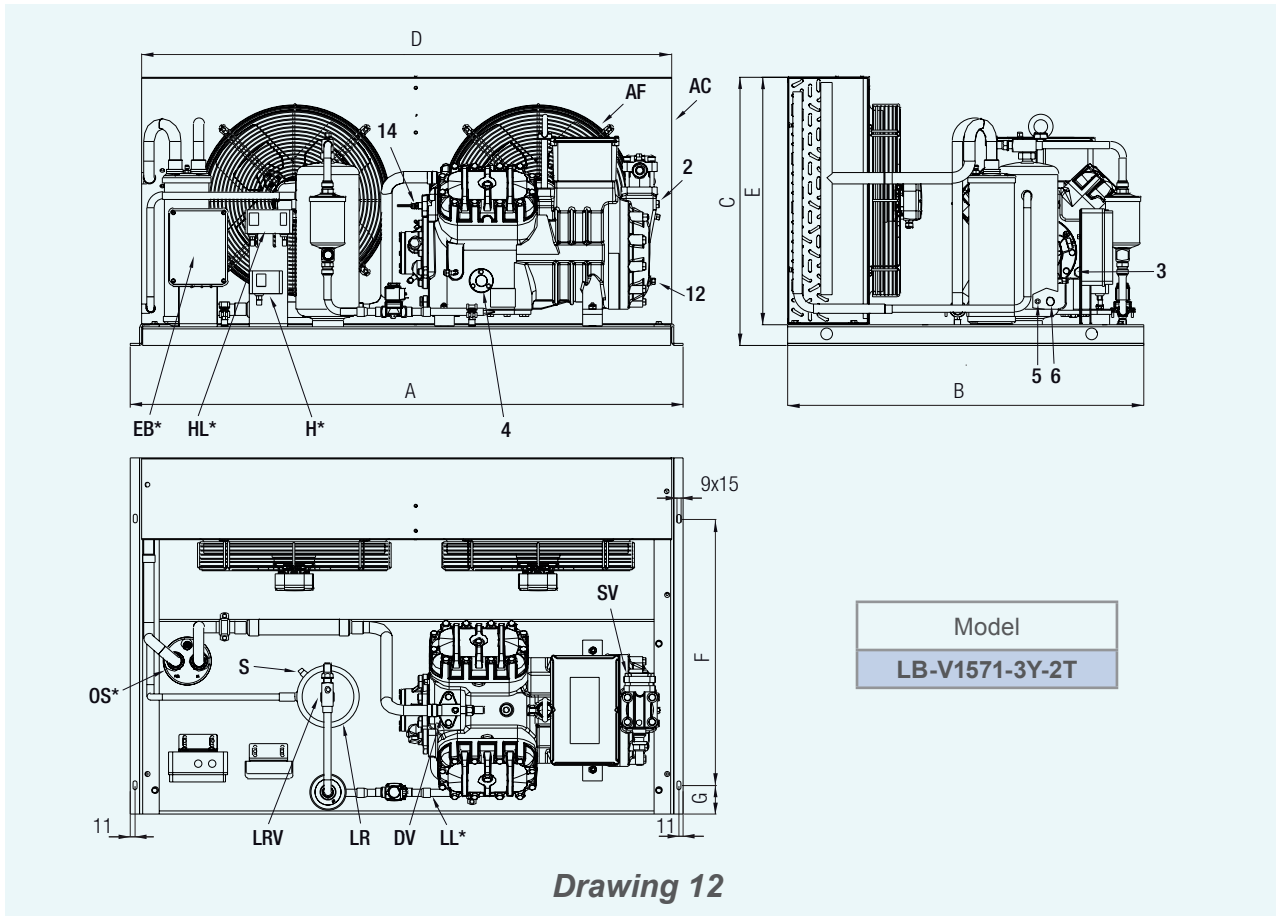


Drawing 10

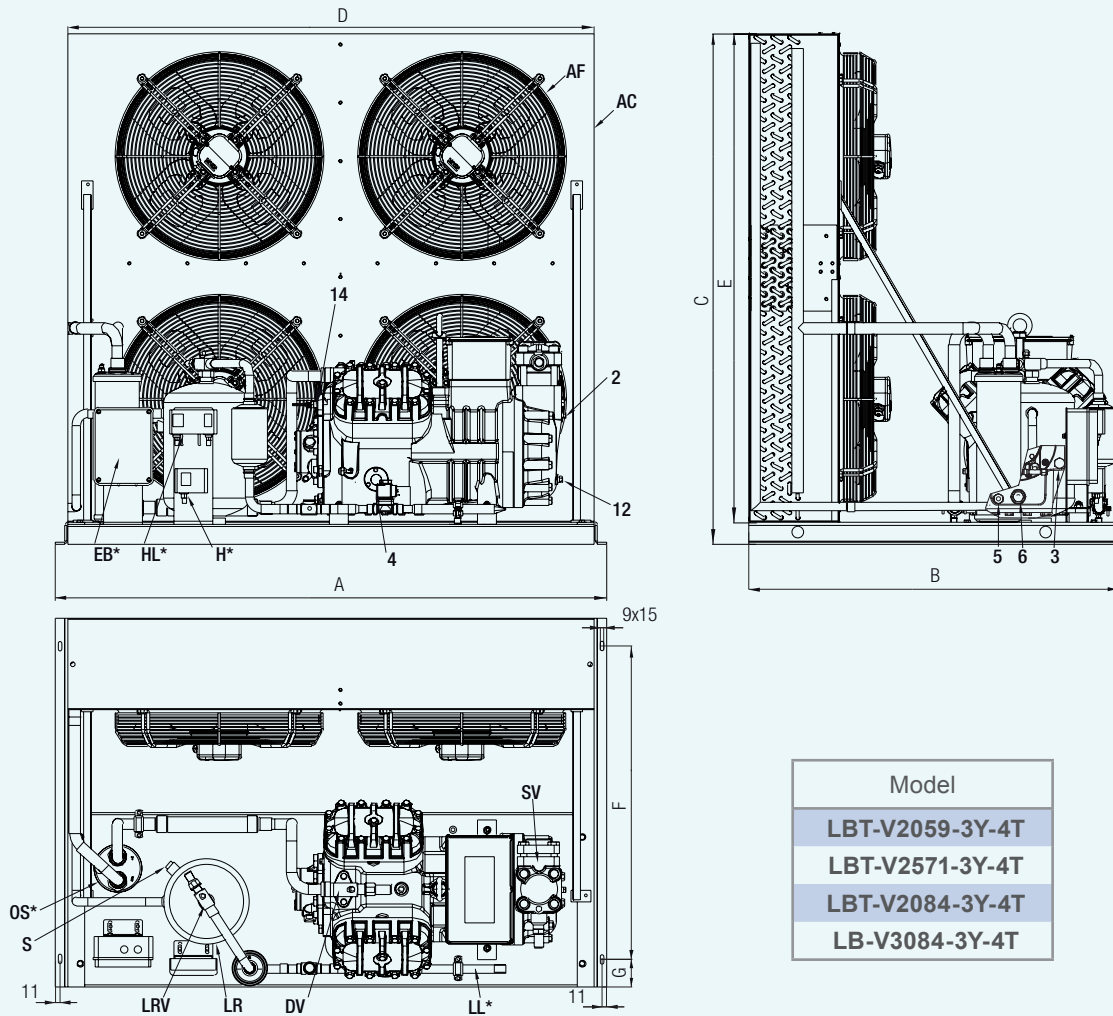
Dimensional drawings



Dimensional drawings



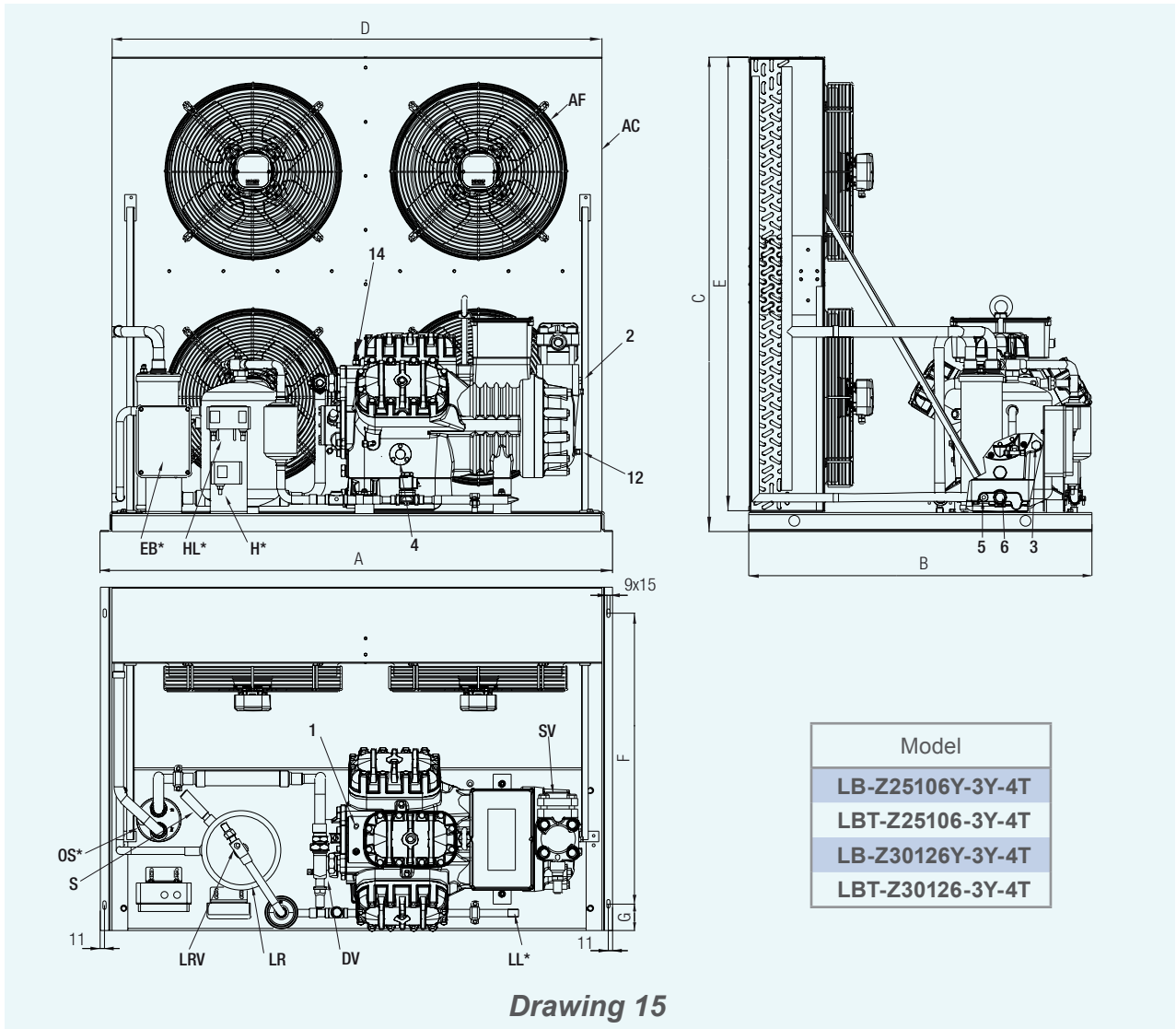
Dimensional drawings



Model
LBT-V2059-3Y-4T
LBT-V2571-3Y-4T
LBT-V2084-3Y-4T
LB-V3084-3Y-4T

Drawing 14

Dimensional drawings



Drawing 15

Two-stage air-cooled condensing units

Technical data

Condensing units		Compressor ①					Condenser							
Model	Model	Displacement (m ³ /h 50Hz)		Oil charge (litres)	Motor ②		Model	Fan motors (with thermal protection)						
					Electric connection Power supply	Max operating current MRA (400V)		Quantity	Model	Electric connection Power supply	Installed power Watt	Max absorbed current A		Condenser air flow (m ³ /h 50Hz)
		LP	HP	③								④	⑤	
LB-S526.16-3Y-2T	S5-26.16Y	25,2	16,4	3	B	14	USAC16M	2	USAF4	T	630	2,26	1,30	11400
LB-S727.19-3Y-2T	S7-27.19Y	26,9	19,1	3	B	18	USAC17M	2	USAF4	T	630	2,26	1,30	10400
LB-V1042.29-3Y-2T	V10-42.29Y	41,9	29,4	4	B	23	USAC18M	2	USAF10	T	1500	6,00	3,50	17400
LB-Z1560.30-3Y-2T	Z15-60.30Y	58,8	29,4	7	B	31	USAC18M	2	USAF10	T	1500	6,00	3,50	17400
LB-Z2072.36-3Y-2T	Z20-72.36Y	70,0	35,4	7	B	37	USAC19M	2	USAF10	T	1500	6,00	3,50	16400
LB-Z2584.42-3Y-2T	Z25-84.42Y	41,9	41,9	7	B	45	USAC19M	2	USAF10	T	1500	6,00	3,50	16400
LB-Z30102.51-3Y-4T	Z30-102-51Y	51,5	51,5	7	B	53	USAC14M	4	USAF4	T	1260	4,52	2,60	20800

Condensing units		Liquid receiver			Piping connections				Installation / Transport			Drawing	
Model	Model	Refrigerant charge Max kg (90% of the volume)		Safety valve connection	Compressor suction valve		Liquid line valve		Net Weight kg	Gross weight kg	Volume with packaging dm ³	Ref.	Page
		R404A R507A R407F R407A R448A R449A	R22		Ø mm	Ø inch	Ø mm	Ø inch					
							⑨				⑩		Nr.
LB-S526.16-3Y-2T	USLR06-M	5,5	6,2	1/4"	35	1" 3/8	19,0	3/4	208	233	1102	16	61
LB-S727.19-3Y-2T	USLR6.6-M	6,1	6,9	1/4"	35	1" 3/8	19,0	3/4	225	250	1102	16	61
LB-V1042.29-3Y-2T	USLR12-M	10,6	12,0	1/2"	35	1" 3/8	22,2	7/8	275	300	1487	17	61
LB-Z1560.30-3Y-2T	USLR12-M	10,6	12,0	1/2"	42	1" 5/8	22,2	7/8	322	347	2252	18	62
LB-Z2072.36-3Y-2T	USLR12-M	10,6	12,0	1/2"	42	1" 5/8	22,2	7/8	327	352	2252	18	62
LB-Z2584.42-3Y-2T	USLR12-M	10,6	12,0	1/2"	42	1" 5/8	22,2	7/8	332	357	2252	18	62
LB-Z30102.51-3Y-4T	USLR12-M	10,6	12,0	1/2"	54	2" 1/8	22,2	7/8	405	430	2790	19	63

- ① For other compressor technical data refer to catalogue FCAT105
 ② Standard motor / Contact Frascold for different motors
 ③ Oil charge with POE oil 32 cSt ; installation of cranked case heater is recommend
 ④ B = Y 380-420V / 3 ~ / 50Hz 440-480V // Y / 3 ~ / 60Hz
 ⑤ Maximum operating current at full load (400V). For rated current see Frascold Selection Software program
 Tolerance +/- 10% relative to the mean value of the voltage range.
 ⑥ T = 230-400 / 3/50 Hz
 ⑦ Total installed power of the fans
 ⑧ Maximum total current absorbed by the fans
 ⑨ Valves with solder connections
 ⑩ Including service valves, oil charge, rubber supports; not including any accessories supplied on request

Construction features and optionals

Air-cooled condensing unit series / model	LB-S526.16-3Y-2T	LB-S727.19-3Y-2T	LB-V1042.29-3Y-2T	LB-Z1560.30-3Y-2T	LB-Z2072-36-3Y-2T	LB-Z2584.42-3Y-2T	LB-Z30102.51-3Y-4T
Two-stage semi-hermetic compressor with electric motor (PWS) 380-420V / 3 / 50 Hz <=> 440-480V / 3 / 60 Hz, AMS Sensors; POE oil charge, Discharge temperature control device, Suction and discharge valves, Rubber mounts	●	●					
Two-stage semi-hermetic compressor with electric motor (PWS) 380-420V / 3 / 50 Hz <=> 440-480V / 3 / 60 Hz. AMS Sensors. POE oil charge Discharge temperature control device, Electronic oil pressure switch for lubrication control, Suction and discharge valves; Rubber mounts			●	●	●	●	●
Injection Control Card			●	●	●	●	●
INT69 Diagnose control and protection device → (models V and Z only for Diagnostic Control version)	●	●	●	●	●	●	●
INT69TML Diagnose control and protection device → (Direct Control version only)			●	●	●	●	●
DeltaP-II electronic pressure switch-Lubrication pressure control → (Standard Control and Diagnostic Control versions only)			●	●	●	●	●
INT250FR electronic pressure switch for lubrication pressure control → (Direct Control version only)			●	●	●	●	●
Liquid receiver (PED certified) with large volume, brazing Rotalock valve, plug for safety valve connection (1)	●	●	●	●	●	●	●
Compressor discharge line with flexible joint	●	●	●	●	●	●	●
Liquid sub-cooler kit	○	○	○	○	○	○	○
Optional "Package", includes: Liquid line (filter, liquid sight glass, service valve), high/low safety pressure switch (PED certified, Cat.IV), high pressure switch for condensation control, electrical wiring junction box	○	○	○	○	○	○	○
High/low pressure safety pressure switch (PED certified, Cat. IV)	○	○	○	○	○	○	○
Oil crankcase heater (always recommended with two-stage compressors)	○	○	○	○	○	○	○
Solenoid valve (in alternative to the liquid line service valve)	○	○	○	○	○	○	○
Oil separator (1)	○	○	○	○	○	○	○
Factory mounted Check-valve for compressor discharge line (2)	○	○	○	○	○	○	○
Electrical wiring of "Package" components (pressure switches, fan motors, fan speed control)	○	○	○	○	○	○	○

● Standard components included

○ Optional component supplied on request

(1) Supplied without oil charge; check the amount of oil to fill into the circuit

(2) Accessory required when the compressor is equipped with "US" head for unloading start

Two-stage air-cooled condensing units

Prestazioni R404A - R507A [50 Hz] with liquid sub-cooling

Condensing unit	Ambient temperature [°C]	Qo [Watt] = Cooling capacity Pe [kW] = Input power ①	Evaporating temperature [°C]								
			-30	-35	-40	-45	-50	-55	-60	-65	-70
LB-S526.16-3Y-2T	27	Qo	9915	8283	6825	5540	4424	3471	2672	2016	1487
		Pe	6,70	6,01	5,38	4,81	4,28	3,80	3,35	2,95	2,59
	32	Qo	9707	8123	6706	5455	4365	3429	2637	1977	
		Pe	7,16	6,38	5,67	5,03	4,45	3,93	3,45	3,03	
	37	Qo	9504	7960	6581	5362	4297	3377	2590		
		Pe	7,66	6,78	5,98	5,28	4,64	4,08	3,57		
	42	Qo	9315	7803	6455	5267	4223	3317			
		Pe	8,23	7,22	6,34	5,55	4,86	4,25			
LB-S727.19-3Y-2T	27	Qo	10699	8927	7345	5952	4745	3717	2857	2154	1591
		Pe	7,25	6,53	5,86	5,23	4,64	4,10	3,60	3,15	2,76
	32	Qo	10483	8757	7218	5861	4682	3671	2820	2115	
		Pe	7,75	6,93	6,18	5,48	4,83	4,25	3,71	3,24	
	37	Qo	10268	8584	7085	5763	4611	3619	2775		
		Pe	8,29	7,37	6,52	5,75	5,05	4,41	3,85		
	42	Qo	10062	8413	6949	5659	4532	3558			
		Pe	8,90	7,85	6,90	6,05	5,29	4,60			
LB-V1042.29-3Y-2T	27	Qo	15498	13016	10787	8813	7091	5613	4371	3350	2528
		Pe	11,46	10,35	9,34	8,40	7,54	6,75	6,03	5,37	4,79
	32	Qo	15208	12799	10634	8714	7032	5580	4347	3317	
		Pe	12,30	11,03	9,88	8,84	7,89	7,03	6,25	5,56	
	37	Qo	14930	12583	10480	8609	6966	5537	4311		
		Pe	13,18	11,76	10,47	9,31	8,28	7,35	6,52		
	42	Qo	14667	12376	10325	8499	6891	5482			
		Pe	14,19	12,58	11,13	9,86	8,71	7,71			
LB-Z1560.30-3Y-2T	27	Qo	21028	17695	14692	12020	9677	7662	5962	4563	3443
		Pe	15,48	13,82	12,32	10,95	9,71	8,58	7,55	6,63	5,82
	32	Qo	20611	17378	14464	11868	9586	7609	5924	4513	
		Pe	16,60	14,73	13,05	11,54	10,17	8,95	7,85	6,89	
	37	Qo	20211	17064	14230	11705	9476	7533	5858		
		Pe	17,85	15,73	13,85	12,18	10,69	9,36	8,20		
	42	Qo		16778	14006	11537	9353	7436			
		Pe		16,89	14,77	12,91	11,28	9,84			
LB-Z2072.36-3Y-2T	27	Qo	25568	21506	17842	14586	11735	9284	7221	5526	4176
		Pe	18,35	16,36	14,61	13,04	11,62	10,31	9,10	7,98	6,92
	32	Qo	25090	21139	17580	14413	11628	9221	7173	5463	
		Pe	19,72	17,47	15,49	13,73	12,17	10,75	9,47	8,29	
	37	Qo	24629	20772	17312	14227	11506	9137	7100		
		Pe	21,29	18,72	16,47	14,51	12,79	11,26	9,90		
	42	Qo		20447	17048	14031	11364	9027			
		Pe		20,16	17,63	15,42	13,53	11,87			
LB-Z2584.42-3Y-2T	27	Qo	29939	25240	20985	17186	13853	10975	8542	6537	4928
		Pe	22,00	19,35	17,04	15,00	13,16	11,51	10,05	8,73	7,57
	32	Qo	29381	24797	20667	16970	13716	10890	8479	6458	
		Pe	23,72	20,75	18,14	15,87	13,86	12,07	10,49	9,11	
	37	Qo	28858	24372	20340	16743	13559	10783	8386		
		Pe	25,77	22,32	19,39	16,84	14,64	12,70	11,01		
	42	Qo				16504	13383	10647			
		Pe				18,00	15,56	13,43			
LB-Z30102.51-3Y-4T	27	Qo	37255	31230	25842	21074	16922	13363	10373	7914	5938
		Pe	27,71	23,99	20,81	18,06	15,64	13,52	11,64	9,96	8,47
	32	Qo	36640	30746	25481	20831	16766	13266	10299	7820	
		Pe	30,18	25,87	22,27	19,17	16,51	14,20	12,19	10,45	
	37	Qo		30280	25118	20567	16585	13139	10191		
		Pe		28,07	23,91	20,43	17,50	15,00	12,85		
	42	Qo				20296	16381				
		Pe				21,97	18,68				

① References of performance data:

Data published are based on suction gas temperature of 20°C and 3K liquid subcooling; Frequency 50 Hz.

Data valid for R404A; for R507A there are slight variations, consult Frascold Selection Software

For calculating the performance at other conditions and 60 Hz, use Frascold Selection Software.

■ Additional cooling is required.

Verify compliance with Directive 2009/125/EC Ecodesign - Regulation EU 2015/1095, refer to the manual FTEC030 or use the FSS3 selection program available from Frascold web site.

Two-stage air-cooled condensing units

Prestazioni R22 [50 Hz] with liquid sub-cooling

Condensing unit	Ambient temperature [°C]	Qo [Watt] = Cooling capacity Pe [kW] = Input power ①	Evaporating temperature [°C]						
			-20	-25	-30	-35	-40	-45	-50
LB-S526.16-3Y-2T	27	Qo		11717	9915	8283	6825	5540	4424
		Pe		7,47	6,70	6,01	5,38	4,81	4,28
	32	Qo		11462	9707	8123	6706	5455	4365
		Pe		8,04	7,16	6,38	5,67	5,03	4,45
	37	Qo		11218	9504	7960	6581	5362	4297
		Pe		8,66	7,66	6,78	5,98	5,28	4,64
42	Qo			9315	7803	6455	5267	4223	
	Pe			8,23	7,22	6,34	5,55	4,86	
LB-S727.19-3Y-2T	27	Qo		12661	10699	8927	7345	5952	4745
		Pe		8,03	7,25	6,53	5,86	5,23	4,64
	32	Qo		12400	10483	8757	7218	5861	4682
		Pe		8,63	7,75	6,93	6,18	5,48	4,83
	37	Qo		12143	10268	8584	7085	5763	4611
		Pe		9,30	8,29	7,37	6,52	5,75	5,05
42	Qo		11908	10062	8413	6949	5659	4532	
	Pe		10,06	8,90	7,85	6,90	6,05	5,29	
LB-V1042.29-3Y-2T	27	Qo		18232	15498	13016	10787	8813	7091
		Pe		12,69	11,46	10,35	9,34	8,40	7,54
	32	Qo		17869	15208	12799	10634	8714	7032
		Pe		13,69	12,30	11,03	9,88	8,84	7,89
	37	Qo			14930	12583	10480	8609	6966
		Pe			13,18	11,76	10,47	9,31	8,28
42	Qo			14667	12376	10325	8499	6891	
	Pe			14,19	12,58	11,13	9,86	8,71	
LB-Z1560.30-3Y-2T	27	Qo		24677	21028	17695	14692	12020	9677
		Pe		17,33	15,48	13,82	12,32	10,95	9,71
	32	Qo			20611	17378	14464	11868	9586
		Pe			16,60	14,73	13,05	11,54	10,17
	37	Qo			20211	17064	14230	11705	9476
		Pe			17,85	15,73	13,85	12,18	10,69
42	Qo				16778	14006	11537	9353	
	Pe				16,89	14,77	12,91	11,28	
LB-Z2072.36-3Y-2T	27	Qo		30012	25568	21506	17842	14586	11735
		Pe		20,65	18,35	16,36	14,61	13,04	11,62
	32	Qo		29430	25090	21139	17580	14413	11628
		Pe		22,33	19,72	17,47	15,49	13,73	12,17
	37	Qo			24629	20772	17312	14227	11506
		Pe			21,29	18,72	16,47	14,51	12,79
42	Qo				20447	17048	14031	11364	
	Pe				20,16	17,63	15,42	13,53	
LB-Z2584.42-3Y-2T	27	Qo		35093	29939	25240	20985	17186	13853
		Pe		25,01	22,00	19,35	17,04	15,00	13,16
	32	Qo		34410	29381	24797	20667	16970	13716
		Pe		27,21	23,72	20,75	18,14	15,87	13,86
	37	Qo			28858	24372	20340	16743	13559
		Pe			25,77	22,32	19,39	16,84	14,64
42	Qo						16504	13383	
	Pe						18,00	15,56	
LB-Z30102.51-3Y-4T	27	Qo		43906	37255	31230	25842	21074	16922
		Pe		32,18	27,71	23,99	20,81	18,06	15,64
	32	Qo			36640	30746	25481	20831	16766
		Pe			30,18	25,87	22,27	19,17	16,51
	37	Qo				30280	25118	20567	16585
		Pe				28,07	23,91	20,43	17,50
42	Qo						20296	16381	
	Pe						21,97	18,68	

① References of performance data:

Data published are based on suction gas temperature of 20°C and 3K liquid subcooling; Frequency 50 Hz.
For calculating the performance at other conditions and 60 Hz, use Frascold Selection Software.

■ Additional cooling is required.

Verify compliance with Directive 2009/125/EC Ecodesign - Regulation EU 2015/1095, refer to the manual FTEC030 or use the FSS3 selection program available from Frascold web site.

Two-stage air-cooled condensing units

Dimensional drawings - Positions and dimensions

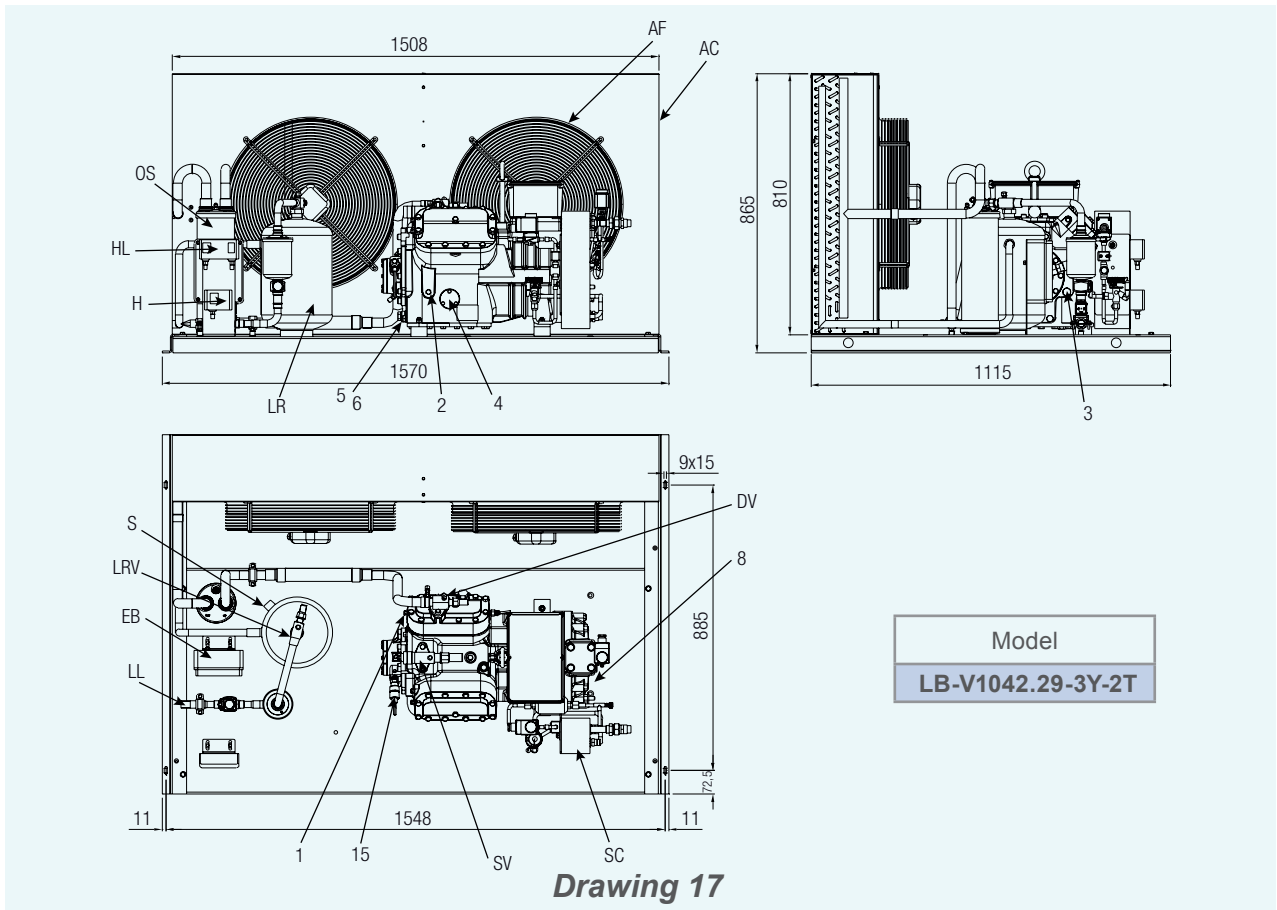
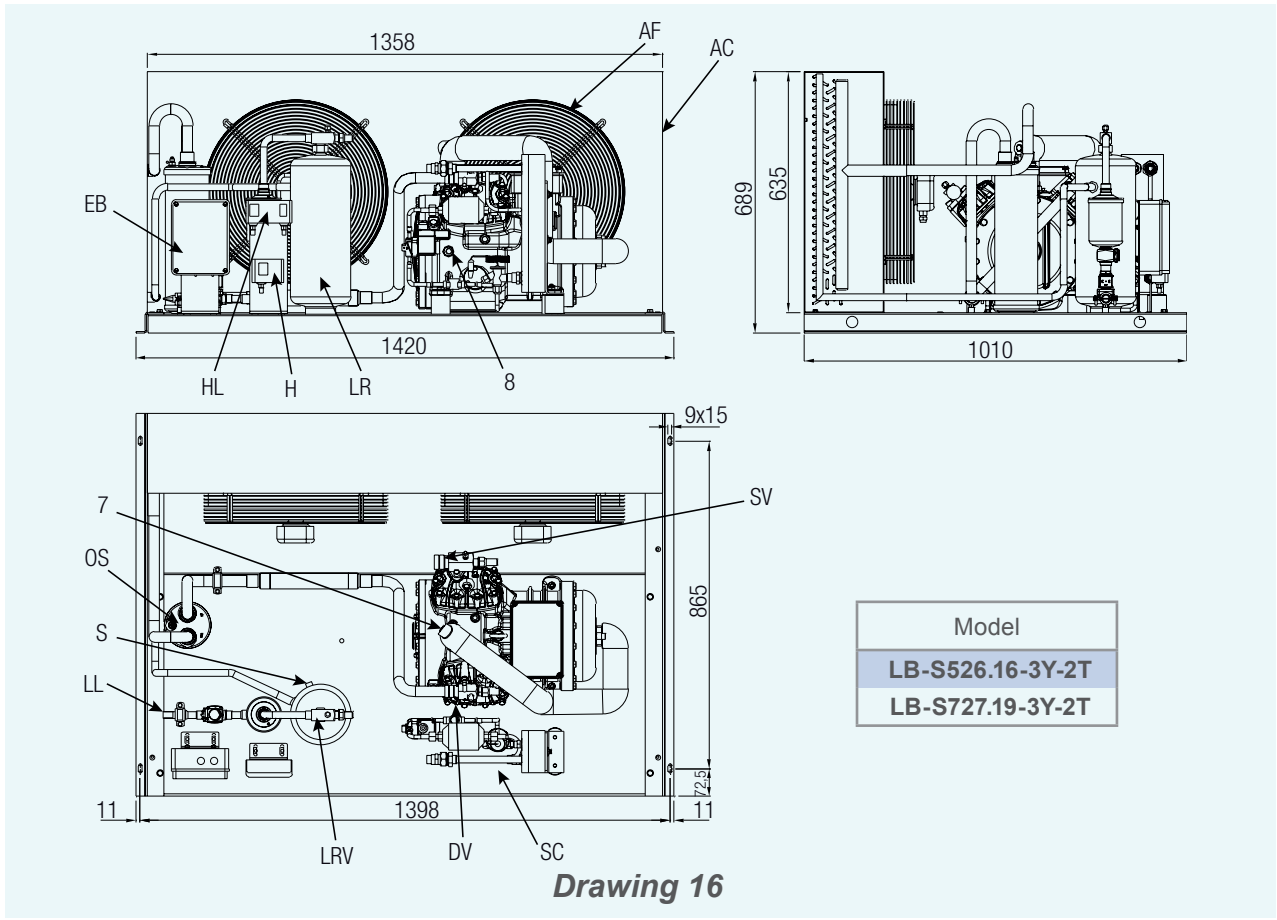
Condensing unit model			LB-S526.16-3Y-2T	LB-S727.19-3Y-2T	LB-V1042.29-3Y-2T	LB-Z1560.30-3Y-2T	LB-Z2072.36-3Y-2T	LB-Z2584.42-3Y-2T	LB-Z30102.51-3Y-4T
Pos.	Components								
1	High-pressure plug	NPT	1/8"	1/8"	1/8"	1/8"	1/8"	1/8"	1/8"
2	Low-pressure plug	NPT	1/8"	1/8"	1/8"	1/8"	1/8"	1/8"	1/8"
3	Oil filling plug	GAS	1/4"	1/4"	3/8"	3/8"	3/8"	3/8"	3/8"
4	Oil level sight glass								
5	Oil heater								
6	Oil drain plug								
7	Connection for liquid injection								
8	Oil return plug	NPT	1/4"	1/4"	1/4"	1/4"	1/4"	1/4"	1/4"
15	Electronic oil pressure switch								
AC	Air-cooled condenser		①	①	①	①	①	①	①
AF	Fan motor		①	①	①	①	①	①	①
DV	Compressor discharge valve		①	①	①	①	①	①	①
LR	Liquid receiver		①	①	①	①	①	①	①
LRV	Liquid receiver service valve								
SV	Compressor suction valve		①	①	①	①	①	①	①
S	Safety valve connection		①	①	①	①	①	①	①
OS	Oli separator		②	②	②	②	②	②	②
EB	Electric wiring box		②	②	②	②	②	②	②
HL	High/low pressure switch		②	②	②	②	②	②	②
H	High pressure switch		②	②	②	②	②	②	②
LL	Liquid line		②	②	②	②	②	②	②
SC	Sub-cooler ki		②	②	②	②	②	②	②

① See page 56.

② Optional components, supplied on request.

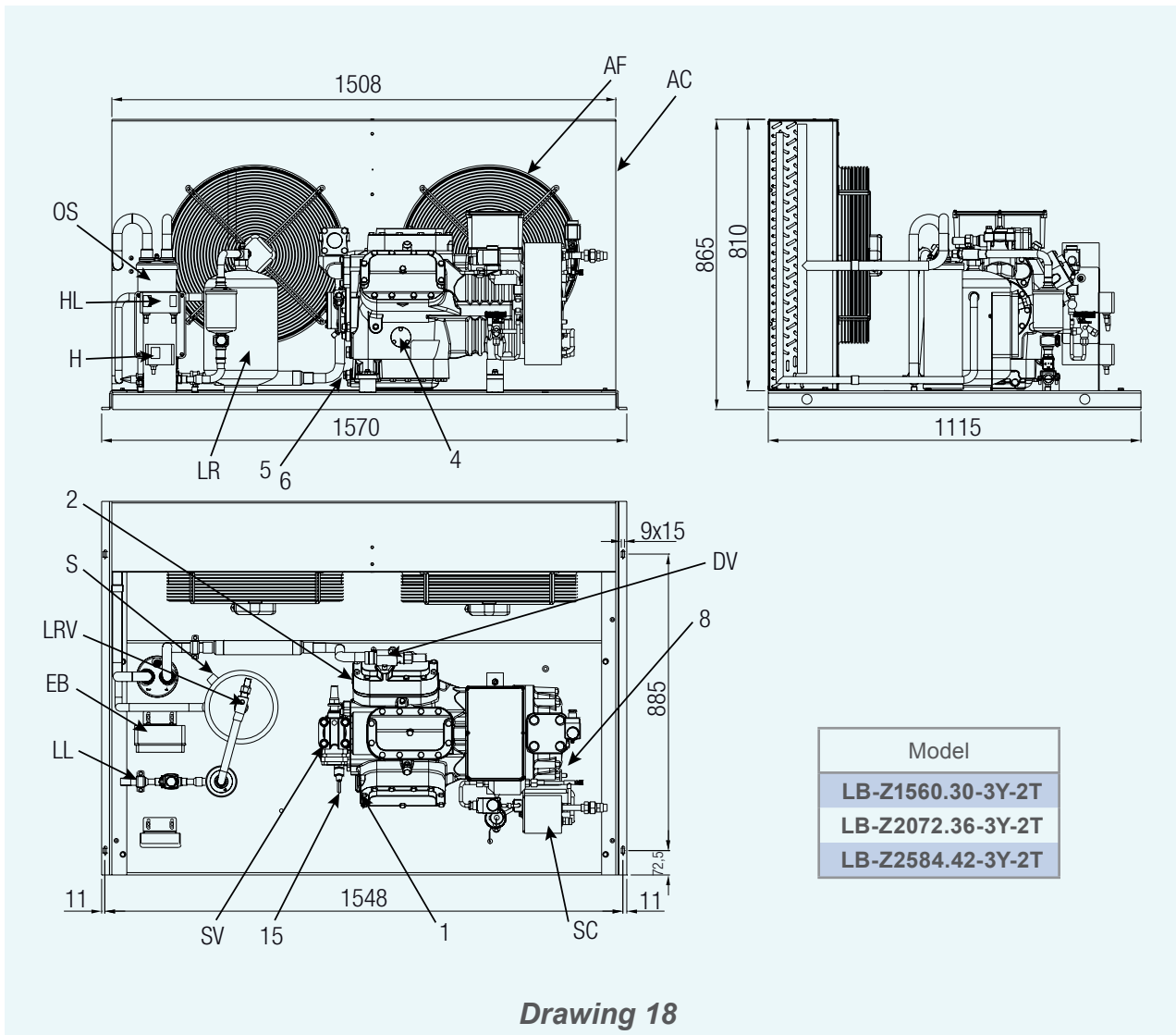
Two-stage air-cooled condensing units

Dimensional drawings

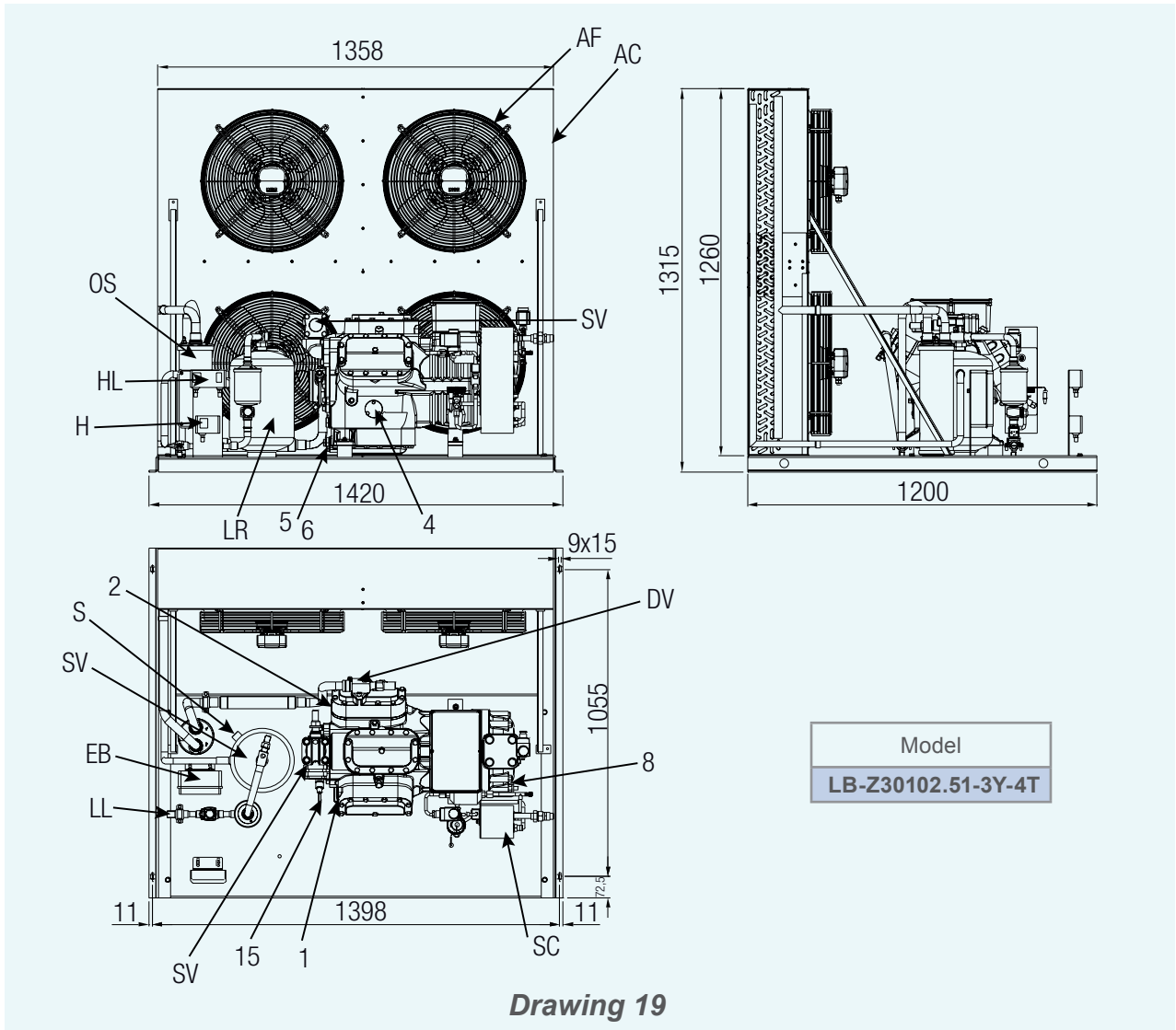


Two-stage air-cooled condensing units

Dimensional drawings



Dimensional drawings





1936 - 2016

Celebrating 80 years of innovation



Blue is better

Headquarters and production

FRASCOLD SpA

Via B. Melzi 105 - 20027 Rescaldina (MI) Italy
Tel. +39 0331 742201 - Fax +39 0331 576102
mail: frascold@frascold.it - web: www.frascold.it

Corporate sales offices

FRASCOLD USA

5901 23rd Drive West, Suite 101
Everett, WA 98203
(855) 547-5600 Office
info@frascoldusa.com
www.frascoldusa.com

FRASCOLD CHINA

Frascold Refrigeration Co. Ltd
Room 608, 6th Floor, Jinqiao Life Hub, No.3611
Zhangyang Road, New Pudong District, Shanghai, Cina
+86 021 58650192 / +86 021 58650180
Fax: +86 021 58650180
nora.lu@frascold.net - www.frascold.it

FRASCOLD INDIA PVT LTD

C-908, Titanium Square,
Nr. Thaltej Cross Roads, S. G. Road,
Thaltej, Ahmedabad – 380 054,
Gujarat, India.
www.frascoldindia.com