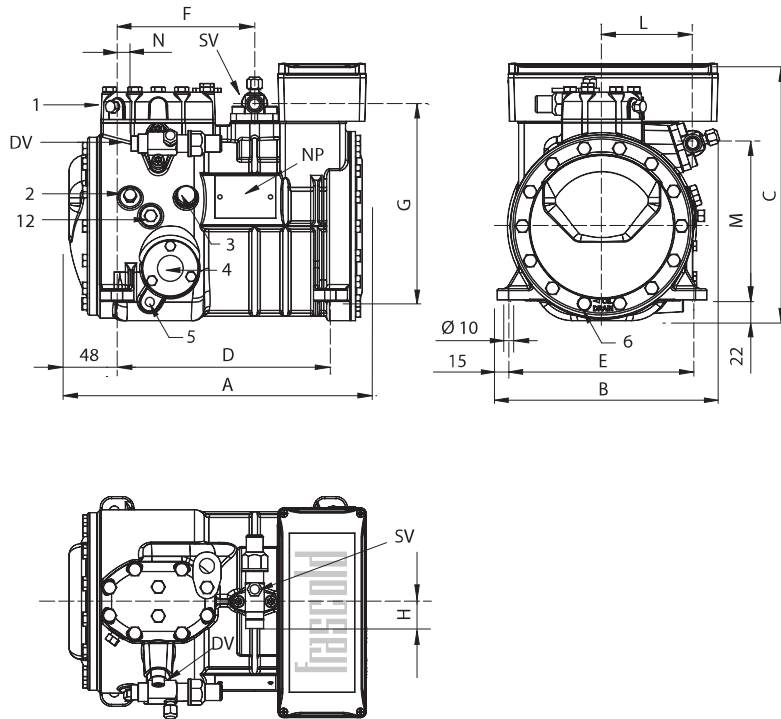


Dimensional drawing

Series **A**



Vibration absorber

1	High pressure plug	1/8" NPT
2	Low pressure plug	1/8" NPT
3	Oil charge plug	1/4" GAS
4	Oil level sight glass	
5	Crankcase heater seat	
6	Oil drain plug	M8 x 22 ISO4017
12	Oil return plug	1/8" NPT
DV	Discharge valve	
SV	Suction valve	
NP	Nameplate	

Compressor	Valves				Valves position						Compressor				
	Suction		Discharge		Suction			Discharge			Length	Width	Height	Base mounting	
	Ø	Ø	Ø	Ø	F	G	H	L	M	N	A	B	C	D	E
A05-4Y	5/8	15,8	1/2	12,7	150	209	29	97	167	18	317	237	275	234	194
A05-5Y	5/8	15,8	1/2	12,7	150	209	29	97	167	18	317	237	275	234	194
A07-5Y	5/8	15,8	1/2	12,7	150	209	29	97	167	18	317	237	275	234	194
A07-6Y	5/8	15,8	1/2	12,7	150	209	29	97	167	18	317	237	275	234	194
A1-6Y	5/8	15,8	1/2	12,7	150	209	29	97	167	18	317	237	275	234	194
A1-7Y	5/8	15,8	1/2	12,7	150	209	29	97	167	18	317	237	275	234	194
A1.5-7Y	5/8	15,8	1/2	12,7	150	209	29	97	167	18	317	237	275	234	194
A1.5-8Y	5/8	15,8	1/2	12,7	150	209	29	97	167	18	317	237	275	234	194