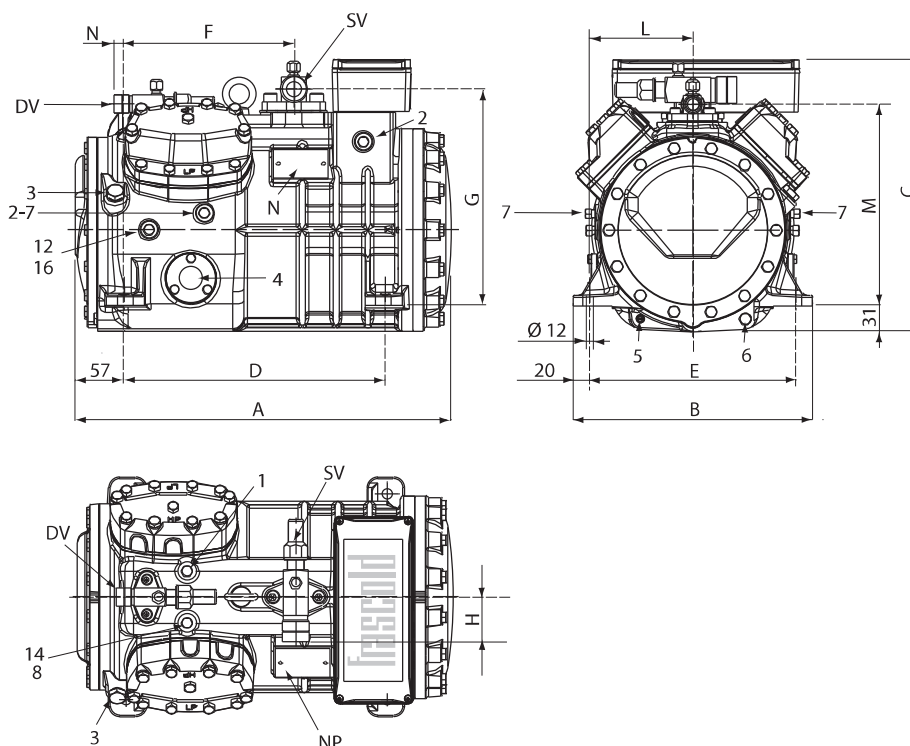


## Dimensional drawing

Series **Q**



Vibration absorber

1	High pressure plug	1/8" NPT
2	Low pressure plug	1/8" NPT
3	Oil charge plug	1/4" GAS
4	Oil level sight glass	
5	Crankcase heater seat	
6	Oil drain plug	M8 x 22 ISO4017
7	Liquid injection valve plug	1/8" NPT
8	Liquid injection sensor plug	1/8" NPT
12	Oil return plug	1/8" NPT
14	Max.discharge temperature sensor	1/8" NPT
16	Crankcase pressure plug	1/8" NPT
DV	Discharge valve	
SV	Suction valve	
NP	Nameplate	

Compressor	Valves				Valves position						Compressor				
	Suction		Discharge		Suction			Discharge			Length	Width	Height	Base mounting	
	Ø	Ø	Ø	Ø	F	G	H	L	M	N	A	B	C	D	E
Q4-20.1E	1 1/8	28,6	3/4	19,0	203	258	53	123	239	12	449	286	325	312	246
Q4-20.1Y	1 1/8	28,6	3/4	19,0	203	258	53	123	239	12	449	286	325	312	246
Q4-21.1Y	1 1/8	28,6	3/4	19,0	203	258	53	123	239	12	449	286	325	312	246
Q5-21.1Y	1 1/8	28,6	3/4	19,0	203	258	53	123	239	12	449	286	325	312	246
Q4-24.1E	1 1/8	28,6	3/4	19,0	203	258	53	123	239	12	449	286	325	312	246
Q4-24.1Y	1 1/8	28,6	3/4	19,0	203	258	53	123	239	12	449	286	325	312	246
Q5-24.1Y	1 1/8	28,6	7/8	22,2	203	258	53	123	239	17	449	286	325	312	246
Q4-25.1Y	1 1/8	28,6	3/4	19,0	203	258	53	123	239	17	449	286	325	312	246
Q5-25.1Y	1 1/8	28,6	7/8	22,2	203	258	53	123	239	17	449	286	325	312	246
Q7-25.1Y	1 1/8	28,6	7/8	22,2	203	258	53	123	239	17	449	286	325	312	246
Q5-28.1E	1 3/8	35,0	7/8	22,2	203	261	58	123	239	17	449	286	328	312	246
Q5-28.1Y	1 3/8	35,0	7/8	22,2	203	261	58	123	239	17	449	286	325	312	246
Q7-28.1Y	1 3/8	35,0	1 1/8	28,6	203	261	58	123	239	28	449	286	328	312	246
Q5-33.1E	1 3/8	35,0	1 1/8	28,6	203	261	58	123	239	28	449	286	328	312	246
Q5-33.1Y	1 3/8	35,0	1 1/8	28,6	203	261	58	123	239	28	449	286	328	312	246
Q7-33.1Y	1 3/8	35,0	1 1/8	28,6	203	261	58	123	239	28	449	286	328	312	246
Q5-36.1Y	1 3/8	35,0	1 1/8	28,6	203	261	58	123	239	28	449	286	328	312	246
Q7-36.1Y	1 3/8	35,0	1 1/8	28,6	203	261	58	123	239	28	449	286	328	312	246