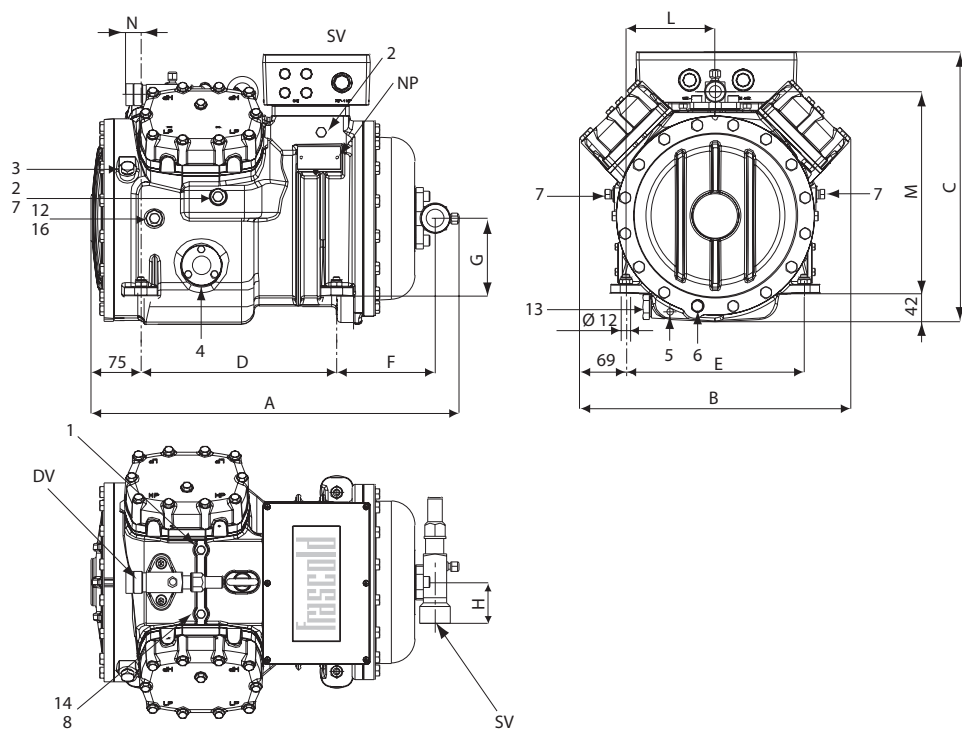


Dimensional drawing

Series **S**



Vibration absorber

1	High pressure plug	1/8" NPT
2	Low pressure plug	1/8" NPT
3	Oil charge plug	1/4" GAS
4	Oil level sight glass	
5	Crankcase heater seat	
6	Oil drain plug	M10 x 30 ISO4017
7	Liquid injection valve plug	1/4" NPT
8	Liquid injection sensor plug	1/8" NPT
12	Oil return plug	1/4" NPT
13	Magnetic plug	1/2" GAS
14	Max. discharge temperature sensor	1/8" NPT
16	Crankcase pressure plug	1/4" NPT
DV	Discharge valve	
SV	Suction valve	
NP	Nameplate	

Compressor	Valves				Valves position						Compressor				
	Suction		Discharge		Suction			Discharge			Length	Width	Height	Base mounting	
	Ø"	Ø mm	Ø"	Ø mm	F mm	G mm	H mm	L mm	M mm	N mm	A mm	B mm	C mm	D mm	E mm
S5-33Y	1 3/8	35,0	1 1/8	28,6	147	115	58	133	298	23	550	405	405	292	266
S7-33Y	1 3/8	35,0	1 1/8	28,6	147	115	58	133	298	23	550	405	405	292	266
S8-42E	1 3/8	35,0	1 1/8	28,6	147	115	58	133	298	23	550	405	405	292	266
S8-42Y	1 3/8	35,0	1 1/8	28,6	147	115	58	133	298	23	550	405	405	292	266
S12-42Y	1 3/8	35,0	1 1/8	28,6	147	115	58	133	298	23	550	405	405	292	266
S10-52E	1 3/8	35,0	1 1/8	28,6	147	115	58	133	298	23	550	405	405	292	266
S10-52Y	1 3/8	35,0	1 1/8	28,6	147	115	58	133	298	23	550	405	405	292	266
S15-52Y	1 5/8	42,0	1 1/8	28,6	147	115	61	133	298	23	550	405	405	292	266
S12-56E	1 3/8	35,0	1 1/8	28,6	147	115	58	133	298	23	550	405	405	292	266
S15-56Y	1 5/8	42,0	1 1/8	28,6	147	115	61	133	298	23	550	405	405	292	266
S20-56Y	1 5/8	42,0	1 1/8	28,6	147	115	61	133	298	23	550	405	405	292	266